



**Report No/ Rapor No :** 2023170779-R1  
**Applicant / Firma:** MATRIX FURNITURE GROUP  
270, MARKET STREET, SADDLE BROOK, NJ, 07663  
**Contact Person / Yetkili :** Rajeev BEDI  
**Contact Telephone / Telefon:** 201 240 75 50  
**Contact e-mail / E-Posta:** -  
**Sample Accepted on/Numune Tarihi :** 05.07.2023  
**Report Date / Rapor Tarihi :** 17.07.2023  
**Total number of pages/Rapor Sayfa :** 9 (Pg)  
**Sample ID :** LAURA ŞİFONYER

	TEST	METHOD	RESULT
-	Standard Safety Specification for Clothing Storage Units	ASTM F2057:23	PASS

NOTE: This test result replaces the conformity assessment, can be presented to official institutions, and used in products and brochures.



Seal

Customer Representative

Merve Nur KIRVELİ

Laboratory Manager

Merve ÖZLÜ

Test results, methods and other information about the sample shown in the relevant pages of this Report are based on the information specified in accordance with "Test Request Form (PR03-F01) conveyed to us from the Applicant. Test results are valid for the sample as identified above. Sample may not represent the lot which it belongs. This Report does not replace a Product Certificate. Full report or any part of it may not be reproduced or used for any other purpose without the written permission of EUROLAB Laboratory. Sampling has not been done by us. Unsigned and unsealed Reports are invalid. Analysis as indicated with "\*" are in the Scope of our Accreditation Certificate issued from UAF according to TS EN ISO/IEC 17020, 17025, Analysis as indicated with "\*\*" are performed at the external laboratories using accredited test methods according to EN ISO/IEC 17020, 17025 from UAF. Possible extra notes may add with starting "N" to related pages. Tested and remaining samples will be kept in specified terms & conditions at test request and/or proposal form. Physically, chemically and microbiologically decomposed samples are discarded regardless of the storage period. Applicant can not claim any right in this regard. Results are shown in this Report do not include Measurement Uncertainty values. Measurement Uncertainty values are not taken in consideration during Pass/Fail assessment the of test results shown in this Report. Evaluation of the test results using Measurement Uncertainty values is the responsibility of the Applicant.

**ASTM F2057 / Standard Safety Specification for Clothing Storage Units**
**Scope**

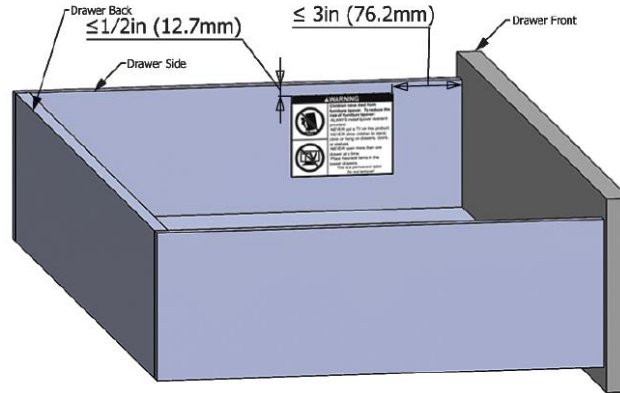
This safety specification is intended to reduce injuries and deaths of children from hazards associated with tipover of free-standing clothing storage units, including but not limited to chests, chests of drawers, drawer chests, armoires, chifferobes, bureaus, door chests, and dressers, which are 27 in. (686 mm) or greater in height, 30 lb (13.6 kg) or greater in mass, and contain 3.2 ft<sup>3</sup> (90.6 dm<sup>3</sup>) or greater of enclosed storage volume.

Clause	Description	Result
<b>4</b>	<b>Performance Requirements</b>	
4.1-4.3	<p>With the unit set up in accordance with 8.1, and without the anti-tip device, test the unit in accordance with 9.2.1, <b>Simulated Clothing Load</b></p> <p>If 50% or more of the storage volume is extended, determine the weight for loading the extendable elements and/or space behind the doors based on the volume calculated. If less than 50% of the storage volume is extended, the unit shall remain empty. Open all doors and extend all available extendible elements. Elements shall remain open for 30 s.</p> <p>During the test, the unit shall not tip over or be supported by any component unless that component was specifically designed for that purpose.</p>	<p>PASS (There was no rollover. Test successful)</p>
	<p>With the unit set up in accordance with 8.1 and without the anti-tip device, test the unit in accordance with 9.2.2, <b>Simulated Horizontal Dynamic Force</b></p> <p>Apply a 10 lbf(44 N) horizontal force, parallel to the direction of outward motion, at the highest handhold, not to exceed 56 in. (1422 mm) on the extendible element most likely to cause tipover. The force shall be applied within 6 mm of the top edge of a drawer or to the center of the pull area of the extendible element, whichever is higher but less than 56 in (1422 mm) over a period of at least 5 s and held for 10 s</p> <p>During the test, the unit shall not tip over or be supported by any component unless that component was specifically designed for that purpose</p>	<p>PASS (There was no rollover. Test successful)</p>
	<p>With the unit set up in accordance with 8.1, and without the anti-tip device, test the unit in accordance with 9.2.3, <b>Simulating a Reaction on Carpet with Child Weight.</b></p> <p>Test block(s) shall be positioned so the back edge of the test block(s) are flush with the back edge of the rear floor supports. If the rear floor supports. If the rear floor support is a glide tack, leveler, or foot smaller than 1 in., center the block under it. Open all doors and extend all available extendible elements. Gradually, over a</p>	<p>PASS (There was no rollover. Test successful)</p>

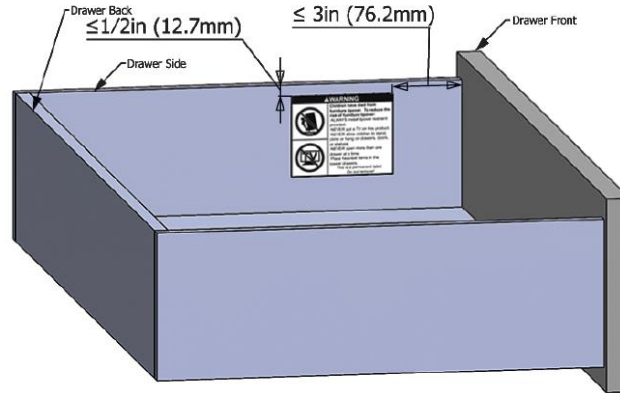



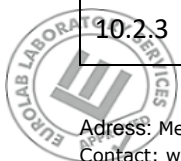
	<p>period of at a least 5 s, apply the test apparatus without impact over the top of the door or extendible element most likely to cause tipover. Allow the test apparatus to rest without additional support for 30 s.</p> <p>During the test, the unit shall not tip over or be supported by any component unless that component was specifically designed for that purpose</p>	
4.4	An anti-tip device shall be included with each item of furniture covered under the scope of this safety specification for attachment by the consumer	-
<b>4.6</b>	<b>Interlock Requirements</b>	
4.6.1	Interlocks shall not require additional consumer action to engage during normal operation of the extendible element, for example, opening and closing the drawer to access the interior volume.	N/A
4.6.1.1 4.6.1.2 4.6.1.3	<p>Consumer action to reengage the interlock system after disengaging to allow removal of one or more extendible elements is allowed, for example, to install an anti-tip device or retrieve a lost sock.</p> <p>An interlocked extendible element removed for such one-time action shall not require removal of components such as back panels and dust bottom to access the interlocking mechanism during reengagement. Reengagement shall not require tools unless those tools are also required for disengagement. An interlocked extendible element removed for such one-time action shall either:</p> <p>(4) Not be fully functional when reinstalled until the interlock is reengaged. (For example, it will not fully close or ride on tracks if interlock is not reengaged—which can be an automatic action when reinstalled in case.); or</p> <p>(2) Include a separate warning or warnings as described in 10.2.3.10.</p>	N/A
4.6.2	Interlocks shall not require consumer assembly and/or installation if the unit is shipped assembled, except as allowed in 4.6.1.1	N/A
4.6.3	Consumer assembly and/or installation of interlock components as part of the normal consumer assembly process is allowed for items shipped/sold unassembled	N/A
4.6.4	<p>When tested to 9.1, the extendible element shall be considered interlocked to the open extendible element if either:</p> <p>It remains closed during the test and is functional after tested extendible element is closed; or</p> <p>Its opening acts to close the extendible element originally open.</p>	N/A

Clause	Description	Result
<b>10</b>	<b>Marking and Labeling</b>	
10.1.1.1	<p>Each clothing storage unit shall be permanently marked in at least one place with the warnings from this section. The warnings shall be in a conspicuous location when in use. The warnings shall be applied on one surface, not wrapped or folded around or over corners.</p> <p>(1) The warnings are inside a drawer box on a drawer side with the top of the signal word panel 0.5 in. (12.7 mm) or less from the top of the drawer side and the border or edge of the label 3 in. (76 mm) or less from the back of the drawer front; they are not required to be visible on all drawers. It is permissible for the warnings to be on either drawer side. See Fig. 15.</p> <p>(2) The warnings are visible anywhere on the open door or on the cabinet side adjacent to the door no more than 1 in. (25 mm) from the doors closed position or the structure of the unit, whichever is farther from the front, when any hinged door, not each door, is open; they are not required to be visible behind all doors. See Fig. 15 (B).</p> <p>(3) The warnings are visible on the cabinet side adjacent to the door no more than 1 in. from the door's closed position when any sliding door, not each door, is fully open, or the structure of the unit near the door, whichever is farther from the front. If doors have different distances from the front, this dimension shall apply to the farthest back door; they are not required to be visible behind all doors. See Fig. 15.</p> <p>(4) The warnings from 10.2.3.1 and 10.2.3.3 and the symbol from Fig. 20 shall meet Condition 1 and contain language directing the user to the bottom of the same drawer and the full warning shall be on the inside face of the drawer bottom.</p>	<p><b>PASS</b> <b>(See annex for label.)</b></p>



**FIG. 15 Warning Label Inside Drawer (A)**

	 <p><b>FIG. 15 Warning Label Inside Drawer (A)</b></p>	
10.1.1.2	<p>For units shipped requiring consumer assembly, it is permissible for the warnings to be on parts that can be installed in other locations; the location shall be considered acceptable if it would meet these location requirements in any possible location even if it does not meet them in all locations. For example, if a drawer side can be installed as the left or right side but the conditions in 10.1.1.1(1) are met, only when installed on the right it is acceptable.</p>	N/A
<b>10.2</b>	<b>Warnings Format and Content</b>	
10.2.2	<p>The signal word panel shall include the Safety Alert Symbol “” and state “WARNING”</p>	<p><b>PASS</b> (See annex for label.)</p>
10.2.2.1	<p>“WARNING” shall be in all caps, bold face type not less than 0.15 in. (3.8 mm) capital letter height in a sans serif font. The letter color shall be safety black on a safety orange or safety white background, or safety white on a safety black background.</p>	<p><b>PASS</b> (See annex for label.)</p>
10.2.2.2	<p>The Safety Alert Symbol is composed of an equilateral triangle surrounding an exclamation mark. It shall be presented in one of five color formats when used with the WARNING signal word</p> <ol style="list-style-type: none"> <li>(1) A safety black triangle with a safety orange exclamation mark, or;</li> <li>(2) A safety yellow triangle with a safety black border and safety black exclamation mark—to allow consistency with certain ISO standards, or;</li> <li>(3) A safety yellow triangle with a safety black exclamation mark and a yellow border around a safety black band—to allow consistency with certain ISO standards, or;</li> <li>(4) A safety black triangle with a safety white exclamation mark—for black and white only formats, or;</li> <li>(5) A safety white triangle with a safety black exclamation mark—for black and white only formats.</li> </ol>	<p><b>PASS</b> (See annex for label.)</p>
10.2.3	<p>In the following sections, the plain type is descriptive information; bold type is used for the required warning statements. The warning statements, unless</p>	<p><b>PASS</b></p>

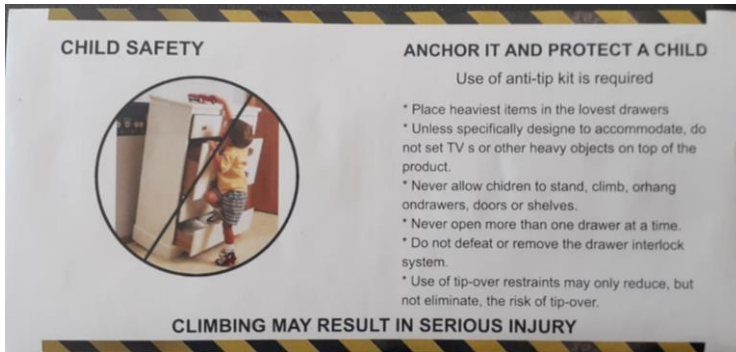
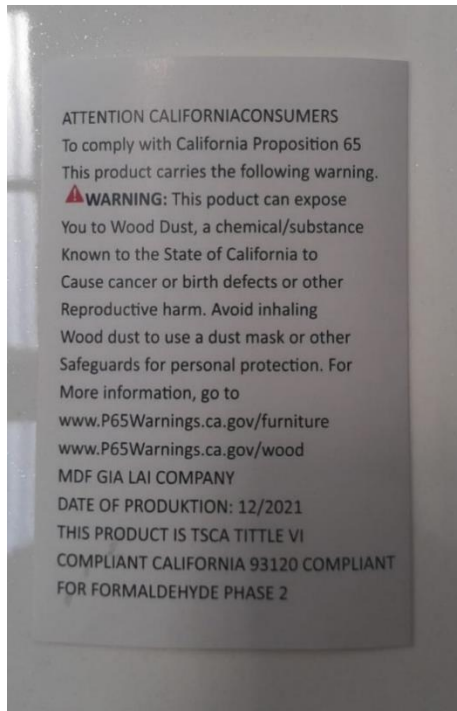


	<p>otherwise noted, shall be included as stated. All text shall be a sans serif font, not less than 0.1 in. (2.5 mm) capital letter height. The text shall be safety black letters on a safety white background or the letters shall contrast the background.</p>	
10.2.3	<p>The warning message panel shall begin with the following statement in bold face type. Children have died from furniture tipover. To reduce the risk of furniture tipover:</p> <p>10.2.3.2 The warning message panel shall include the following statements, preceded by a bullet point, in the order given.</p> <p>10.2.3.3 ALWAYS install anti-tip device provided.</p> <p>10.2.3.4 Television use shall be addressed in the warnings by following either 10.2.3.4(1) or 10.2.3.4(2).</p> <p>(1) For clothing storage units that are not designed and intended by the manufacturer to be used with a TV shall state:</p> <p>NEVER put a TV on this product.</p> <p>(2) For clothing storage units that are designed and intended by the manufacturer to be used with a TV, the warning shall address TV use. This may be done within the other warnings as shown in the examples or separately to comply with other standards. In either case, all warnings must be conspicuous as defined in 10.1.1.1. See Appendix X1 for reference.</p> <p>10.2.3.5 NEVER allow children to stand, climb, or hang on any drawers, doors, or shelves. It is permissible to exclude any feature not included on the unit.</p> <p>10.2.3.6 NEVER open more than one drawer at a time. It is permissible to exclude any feature not included on the unit.</p> <p>10.2.3.7 When the unit includes interlocking drawers: DO NOT defeat or remove the drawer interlock system; it is an important stability and safety system. Units that do not include interlocking drawers shall not use this statement. It is permissible to remove "drawer," add the appropriate parts and features to this statement, or to address any specific use characteristics of the interlock system.</p> <p>10.2.3.8 Place heaviest items in the lowest drawers. It is permissible to change drawers to a term/location better matching the unit.</p> <p>10.2.3.9 The following statement is required below all other text, in italic letters: This is a permanent label. Do not remove! Alternatively, the following shall be used when markings other than a label are used and may be used with any marking type: This warning is permanent. Do not remove! The statement may not be larger type than any other wording on the warning.</p> <p>10.2.3.10 For units with interlock systems described in 4.6.1.3(2), a warning addressing: DO NOT remove the interlock system except for maintenance as</p>	<p><b>PASS</b> <b>(See annex for label.)</b></p>



	shown. NEVER use the unit without the interlock installed following the instructions. shall be added to each drawer in a location near the interlock hardware; instructions shall be shown or a location with instructions shall be referenced. See Fig. 19.	
10.2.4	Each safety symbol panel shall measure at least 1.25 in. by 1.25 in. (31.8 mm by 31.8 mm); each safety symbol shall measure at least 1 in. by 1 in. (25.4 mm by 25.4 mm). Each symbol shall be safety black with either a safety black or safety red prohibition symbol or the symbol shall contrast with the background. The safety symbol panel for each symbol shall be bounded on all sides with a safety black line or the line shall contrast with the background.	<b>PASS</b> <b>(See annex for label.)</b>
	10.2.4.1 The child climbing prohibition symbol shown in Fig. 20 shall be used on all warning labels.	
	10.2.4.2 The TV prohibition symbol shown in Fig. 21 shall be used on units that include the warning in 10.2.3.4(1).	
	10.2.5 The contents of the warnings shall not be modified except as specifically indicated above and/or to include languages other than English.	
	10.2.6 The warnings shall be permanent when tested in accordance with 9.3.1, 9.3.2, or 9.3.3 as appropriate.	

## Annex





### Test Result

Tests	Result
Simulated Clothing Load	PASS There has been no tipping
Simulated Horizontal Dynamic Force	PASS There has been no tipping
Simulating a Reaction on Carpet with Child Weight	PASS There has been no tipping

Drawer	#1	#2	#3	#4	#5	#6
Function Volume(ft <sup>3</sup> )	1.30	1.30	1.30	1.30	1.30	1.30
Load(lbs)	15.40	15.40	15.40	15.40	15.40	15.40

### IMAGE







**\*\*\*END OF REPORT\*\*\***