







ASSEMBLY INSTRUCTIONS


QUEEN BED

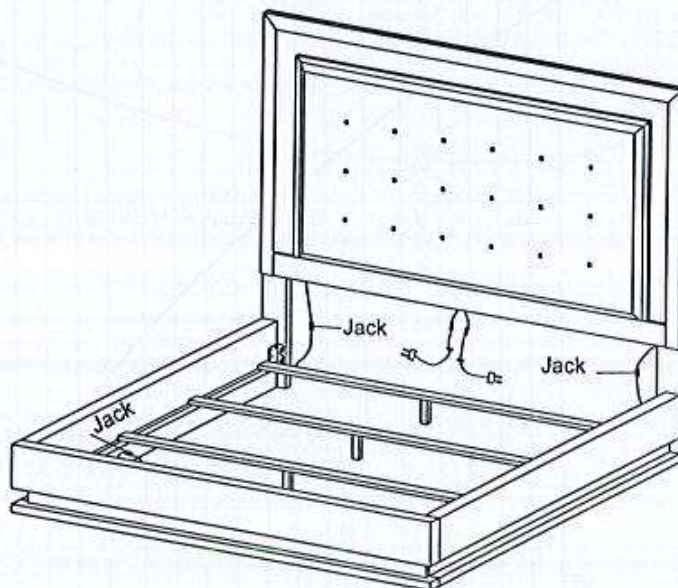
F2101 - RECTANGLE

- Caution:** Please read instructions thoroughly before unpacking assembly parts. Sharp, exposed staple tips can cause injury, therefore, for your protection, please remove any exposed staple used in packing.
1. We recommend that you should assemble this product with the assistance of another person; this will make assembly easier, and will help to eliminate damage to the product or injury to persons during assembly.
 2. Be sure to check all packing materials carefully for small parts that may have come loose inside the carton during shipment.
 3. please do not over tighten screws or bolts.
 4. Please put all parts on a non-abrasive floor before assembly, and follow the assembly steps to assemble your newly purchased product correctly and efficiently.

No.	Parts List		Q'Ty
A		Headboard Panel	1PC
B		L/R Posts	2 pieces
C		Footboard	1PC
D		Side Rail	2 pieces
E		Bed Slat	4 pieces
F		Slat Support Leg	4 pieces

Hardware List			
1		Allen Key (L57*4mm)	1PC
2		JCBC Bolt 5/16" *2"L	6 Pieces
		Spring Washer (Ø5/16" * 13 *1.2)	6 Pieces
		Flat Washer (Ø5/16" *19 * 1.8)	6 Pieces
3		JCBC Bolt 5/16" *1.1/4"L	8 Pieces
		Spring Washer (Ø5/16" * 13 *1.2)	8 Pieces
		Flat Washer (Ø5/16" *19 * 1.8)	8 Pieces

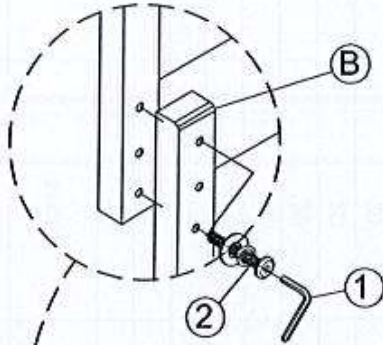
Hardware Bag for Footboard			
4		Wood Screw (Ø4*30mm)	8 pieces



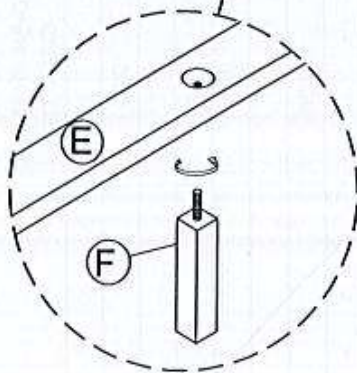
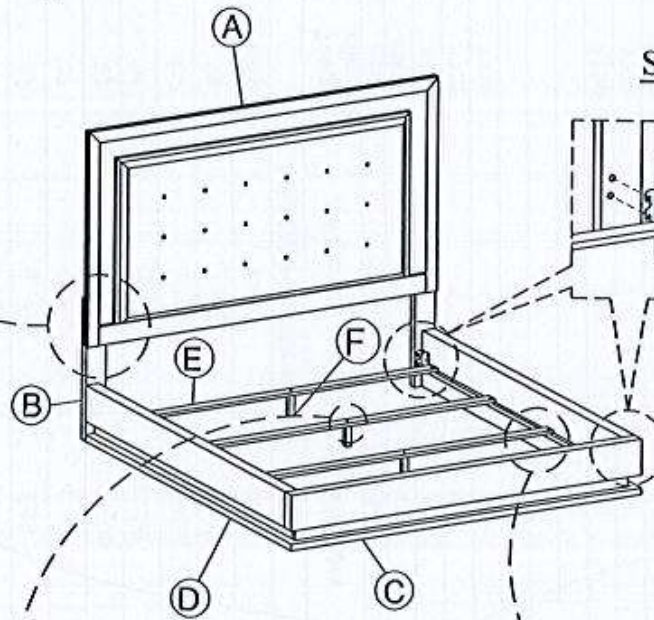
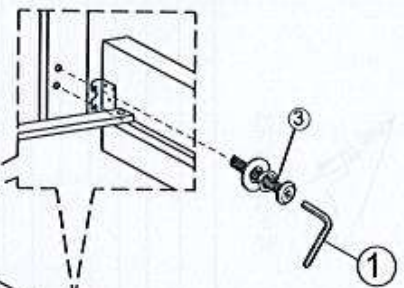
ASSEMBLY INSTRUCTIONS

QUEEN BED

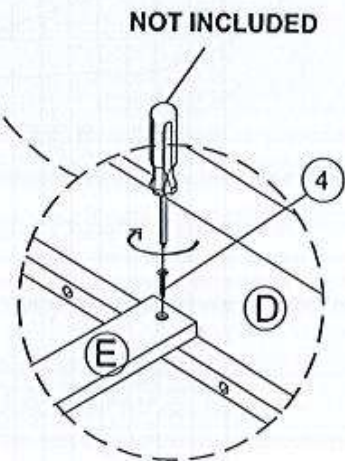
STEP-1



STEP-2



STEP-3




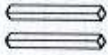




STEP-4


ASSEMBLY INSTRUCTIONS

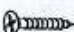
KING BED & CAL KING BED

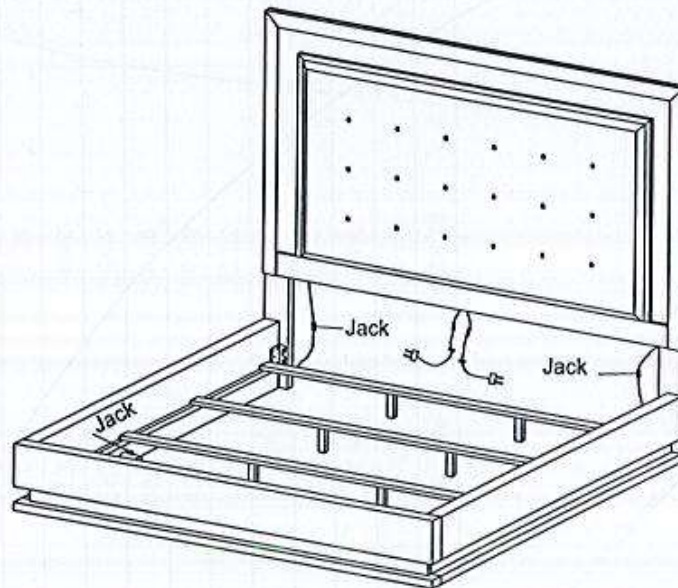
Caution: Please read instructions thoroughly before unpacking assembly parts. Sharp, exposed staple tips can cause injury, therefore, for your protection, please remove any exposed staple used in packing.

1. We recommend that you should assemble this product with the assistance of another person; this will make assembly easier, and will help to eliminate damage to the product or injury to persons during assembly.
2. Be sure to check all packing materials carefully for small parts that may have come loose inside the carton during shipment.
3. please do not over tighten screws or bolts.
4. Please put all parts on a non-abrasive floor before assembly, and follow the assembly steps to assemble your newly purchased product correctly and efficiently.

No.	Parts List		Q'Ty
A		Headboard Panel	1PC
B		L/R Posts	2 pieces
C		Footboard	1PC
D		Side Rail	2 pieces
E		Bed Slat	4 pieces
F		Slat Support Leg	8 pieces

Hardware List			
1		Allen Key (L57*4mm)	1PC
2		JCBC Bolt 5/16" *2"L	6 Pieces
		Spring Washer (Ø5/16" * 13 *1.2)	6 Pieces
		Flat Washer (Ø5/16" *19 * 1.8)	6 Pieces
3		JCBC Bolt 5/16" *1.1/4"L	8 Pieces
		Spring Washer (Ø5/16" * 13 *1.2)	8 Pieces
		Flat Washer (Ø5/16" *19 * 1.8)	8 Pieces

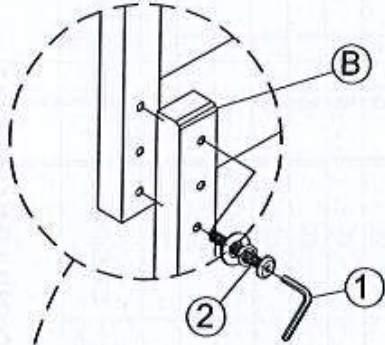
Hardware Bag for Footboard			
4		Wood Screw (Ø4*30mm)	8 pieces



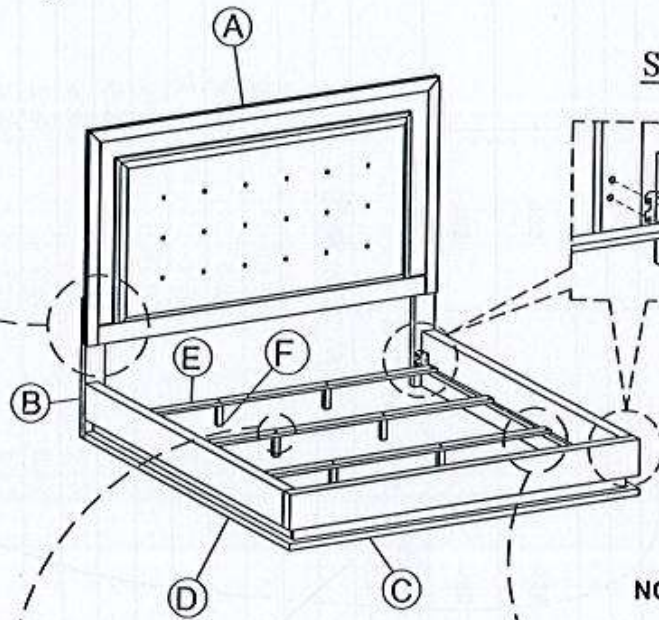
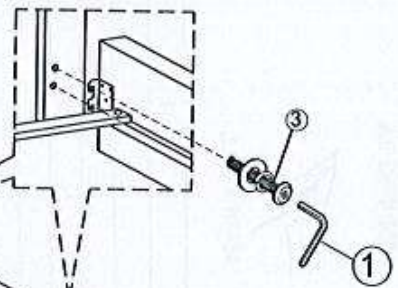
ASSEMBLY INSTRUCTIONS

KING BED & CAL KING BED

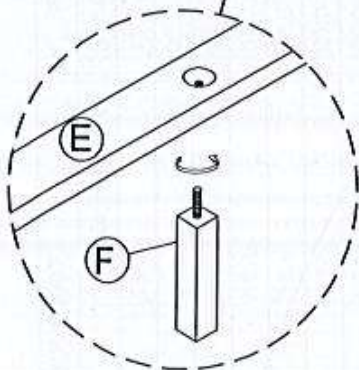
STEP-1



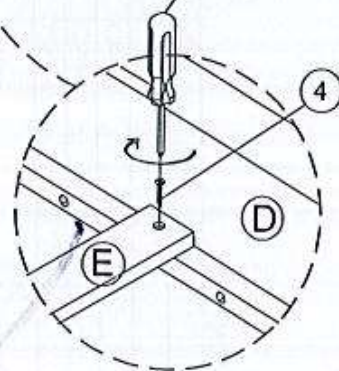
STEP-2



NOT INCLUDED



STEP-3



STEP-4

ASSEMBLY INSTRUCTIONS

DRESSER&MIRROR

Caution: Please read instructions thoroughly before unpacking assembly parts. Sharp, exposed staple tips can cause injury, therefore, for your protection, please remove any exposed staple used in packing.

1. We recommend that you should assemble this product with the assistance of another person; this will make assembly easier, and will help to eliminate damage to the product or injury to persons during assembly.
2. Be sure to check all packing materials carefully for small parts that may have come loose inside the carton during shipment.
3. please do not over tighten screws or bolts.
4. Please put all parts on a non-abrasive floor before assembly, and follow the assembly steps to assemble your newly purchased product correctly and efficiently.



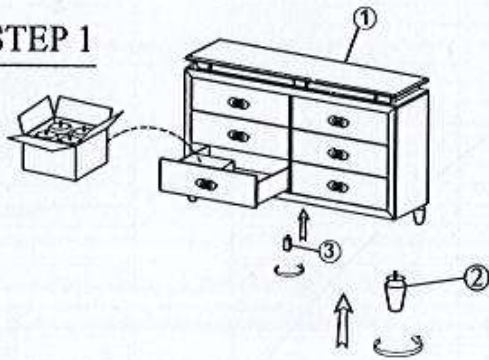
HARDWARE LISTS LISTA DE TORNILLO

NO:	COMPONENT		Q'TY
a	JCBC Bolt 1/4" *20*35mm		8
b	Spring Washer 1/4" Dia		8
c	Flat Washer 1/4" Dia		8
d	Allen Key		1

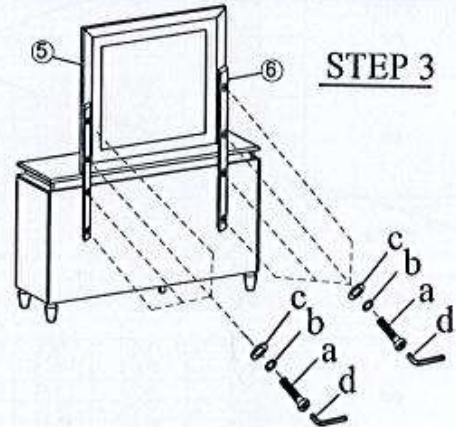
PART LISTS

NO.	DESCRIPTION	SKETCH	Q'TY
(1)	BASE		1PC
(2)	LEG		4PCS
(3)	ADJUST LEVEL LEG		1PC
(4)	TIPPING RESTRAINT		1PC
(5)	MIRROR		1PC
(6)	MIRROR SUPPORT		2PCS

STEP 1

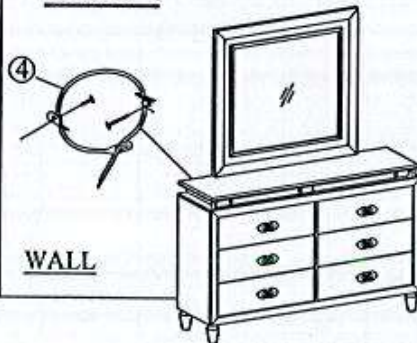


STEP 2



STEP 3

STEP 4



WALL

WALL



Completed

ASSEMBLY INSTRUCTIONS




CHEST

Caution: Please read instructions thoroughly before unpacking assembly parts. Sharp, exposed staple tips can cause injury, therefore, for your protection, please remove any exposed staple used in packing.

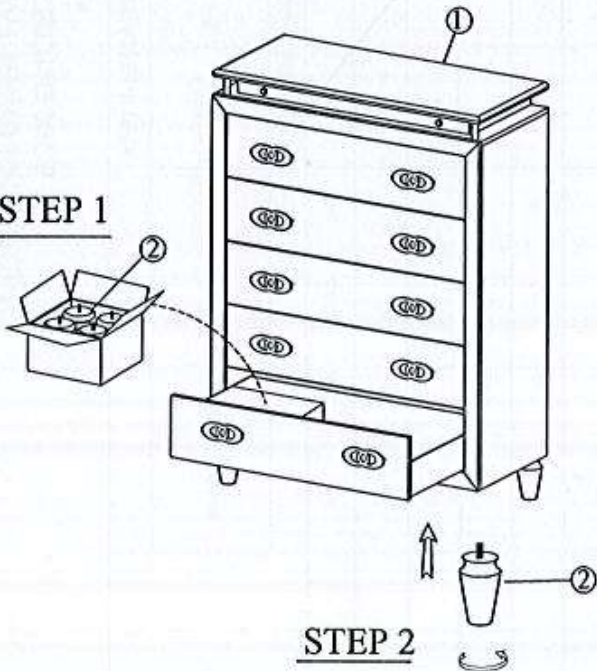
1. We recommend that you should assemble this product with the assistance of another person; this will make assembly easier, and will help to eliminate damage to the product or injury to persons during assembly.
2. Be sure to check all packing materials carefully for small parts that may have come loose inside the carton during shipment.
3. please do not over tighten screws or bolts.
4. Please put all parts on a non-abrasive floor before assembly, and follow the assembly steps to assemble your newly purchased product correctly and efficiently.



PART LISTS

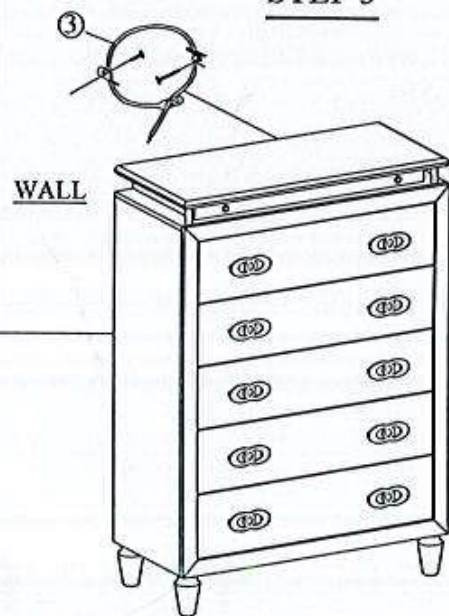
NO.	DESCRIPTION	SKETCH	QTY
(1)	BASE		1PC
(2)	LEG		4PCS
(3)	TIPPING RESTRAINT		1SET

STEP 1



STEP 2

STEP 3





ASSEMBLY INSTRUCTIONS

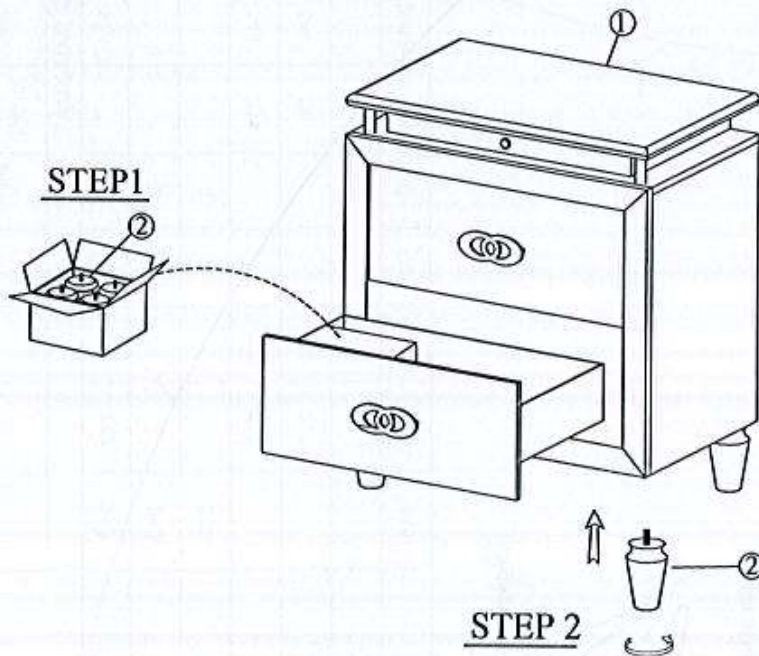
NIGHT STAND

Caution: Please read instructions thoroughly before unpacking assembly parts. Sharp, exposed staple tips can cause injury, therefore, for your protection, please remove any exposed staple used in packing.

1. We recommend that you should assemble this product with the assistance of another person; this will make assembly easier, and will help to eliminate damage to the product or injury to persons during assembly.
2. Be sure to check all packing materials carefully for small parts that may have come loose inside the carton during shipment.
3. please do not over tighten screws or bolts.
4. Please put all parts on a non-abrasive floor before assembly, and follow the assembly steps to assemble your newly purchased product correctly and efficiently.



PART LISTS			
NO.	DESCRIPTION	SKETCH	QTY
(1)	BASE		1PC
(2)	LEG		4PCS



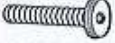










ASSEMBLY INSTRUCTIONS

VANITY TABLE AND MIRROR

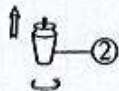
Caution: Please read instructions thoroughly before unpacking assembly parts. Sharp, exposed staple tips can cause injury, therefore, for your protection, please remove any exposed staple used in packing.

1. We recommend that you should assemble this product with the assistance of another person; this will make assembly easier, and will help to eliminate damage to the product or injury to persons during assembly.
2. Be sure to check all packing materials carefully for small parts that may have come loose inside the carton during shipment.
3. please do not over tighten screws or bolts.
4. Please put all parts on a non-abrasive floor before assembly, and follow the assembly steps to assemble your newly purchased product correctly and efficiently.



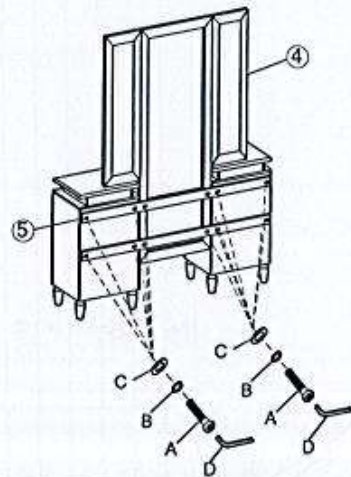
HARDWARE LISTS				PARTS LIST			
NO:	COMPONENT		Q'TY	NO.	DESCRIPTION	SKETCH	Q'TY
A	JCBC Bolt 1/4" *20*35mm		12	(1)	BASE (Left & right)		2PCS
B	Spring Washer 1/4" Dia		12	(2)	LEG		8PCS
C	Flat Washer 1/4" Dia		12	(3)	TIPPING RESTRAINT		1PC
D	Allen Key		1	(4)	VANITY MIRROR		1PC
E	GLASS		1	(5)	MIRROR SUPPORT		2PCS
F	GLASS CLAMP		4				

STEP 1



STEP 2

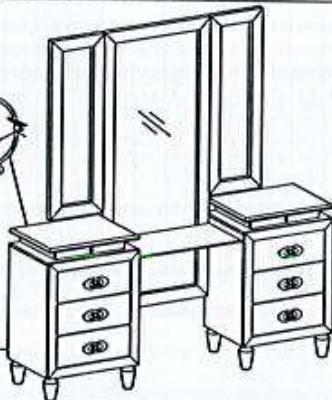
STEP 3



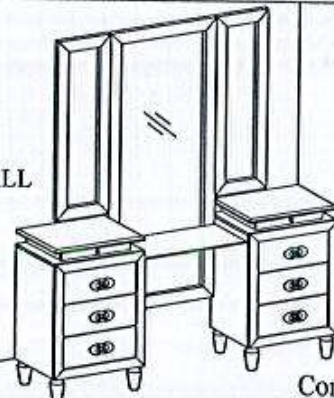
STEP 4



WALL



WALL







Completed



ASSEMBLY INSTRUCTIONS

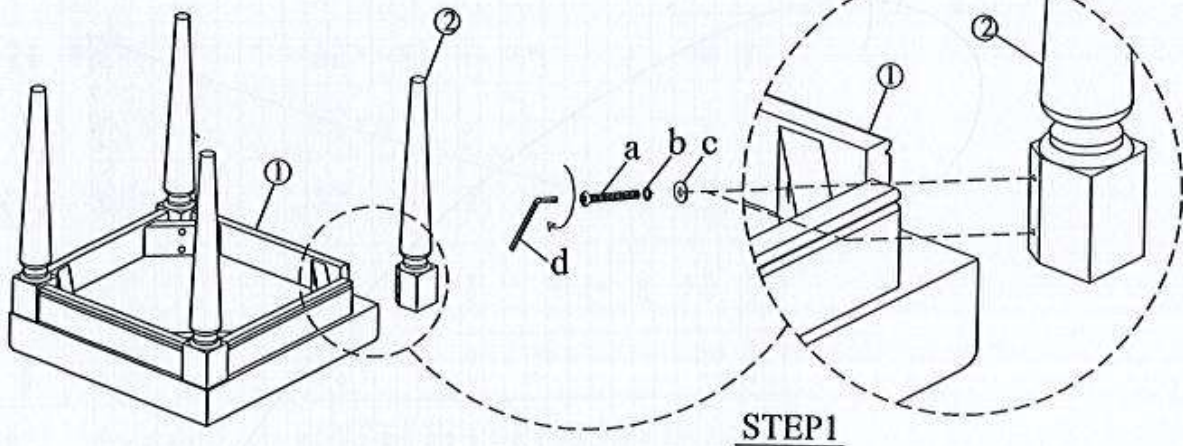
STOOL

Caution: Please read instructions thoroughly before unpacking assembly parts. Sharp, exposed staple tips can cause injury, therefore, for your protection, please remove any exposed staple used in packing.

1. We recommend that you should assemble this product with the assistance of another person; this will make assembly easier, and will help to eliminate damage to the product or injury to persons during assembly.
2. Be sure to check all packing materials carefully for small parts that may have come loose inside the carton during shipment.
3. please do not over tighten screws or bolts.
4. Please put all parts on a non-abrasive floor before assembly, and follow the assembly steps to assemble your newly purchased product correctly and efficiently.

HARDWARE LISTS			
NO:	COMPONENT	Size	Q'TY
a	JCBC Bolt 5/16" *2"L		8pcs
b	Spring Washer 5/16" Dia		8pcs
c	Flat Washer 5/16" Dia		8pcs
d	Allen Key		1pc

PART LISTS			
NO.	DESCRIPTION	SKETCH	Q'TY
(1)	STOLL CUSHION SEAT FRAME		1PC
(2)	STOOL LEG		4PCS



FINAL

