

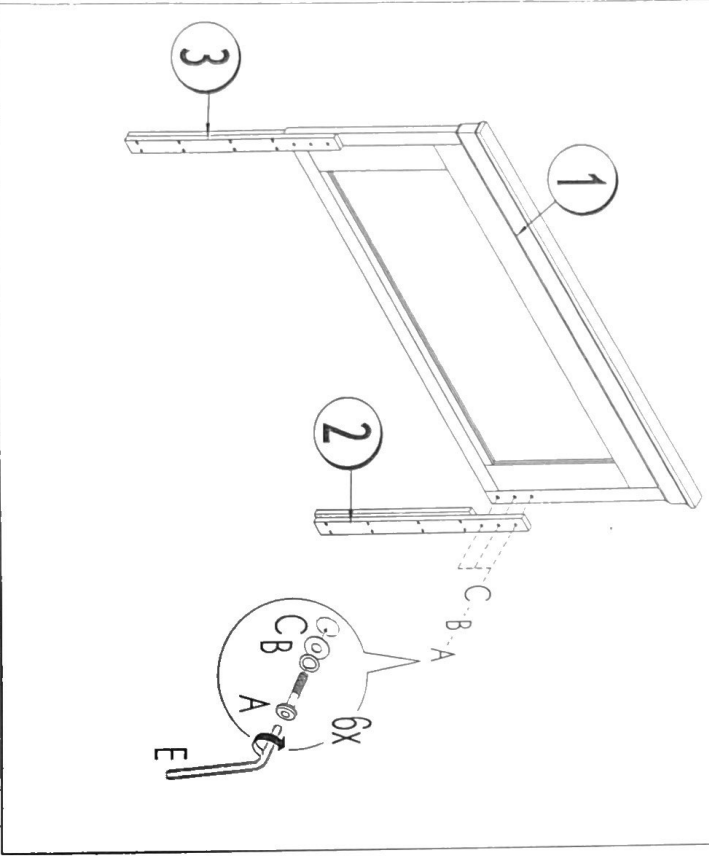
ASSEMBLY INSTRUCTIONS

BR2050W-10/11 LED & BR2050W-12/18

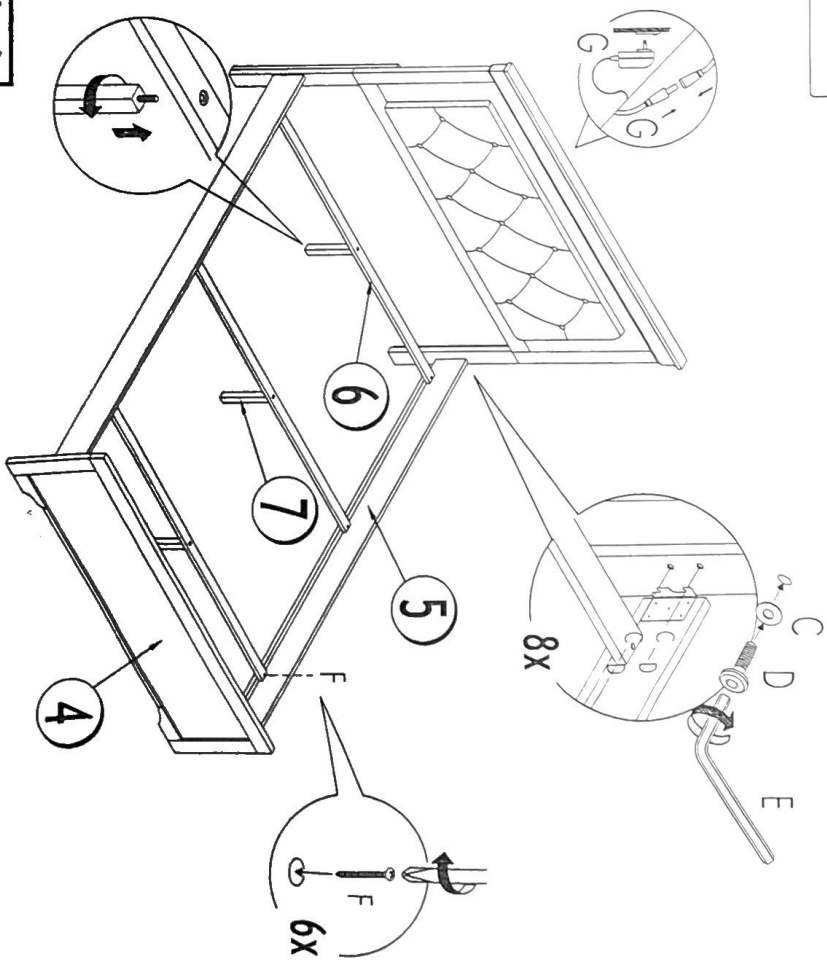
QUEEN HEADBOARD WITH LED & QUEEN FOOTBOARD & QUEEN/KING RAIL

STEP 1

BACK VIEW



STEP 2

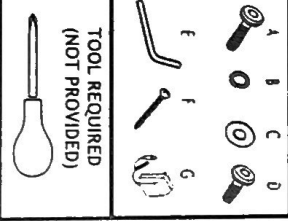


PARTS LIST

NO	DESCRIPTION	QTY
1	HEADBOARD	1PC
2	HEADBOARD LEG (L)	1PC
3	HEADBOARD LEG (R)	1PC
4	FOOTBOARD	1PC
5	SIDE RAIL	2PCS
6	SLAT	3PCS
7	VERTICAL LEG	3PCS

HARDWARE LIST

NO	DESCRIPTION	SIZE	QTY
A	JCB8	M8 x P1.0 x 40MM	6PCS
B	SPRING WASHER	M8	6PCS
C	FLAT WASHER	M8 x 18	14PCS
D	JCB8	M8 x 20	8PCS
E	ALLEN KEY	M5	1PC
F	PANHEAD ADAPTER	M4 x 25	6PCS
G			1PC



IMPORTANT NOTE :

- Place all wooden parts on a clean and smooth surface such as a rug or carpet to avoid the parts from being scratched.
- Check to be sure that you have all parts and hardware.
- Remove all wrapping materials, including staples & packing straps before you start to assemble.
- Do not tighten all screws/bolts until all completely assembled.
- Keep all hardware parts out of reach of children.