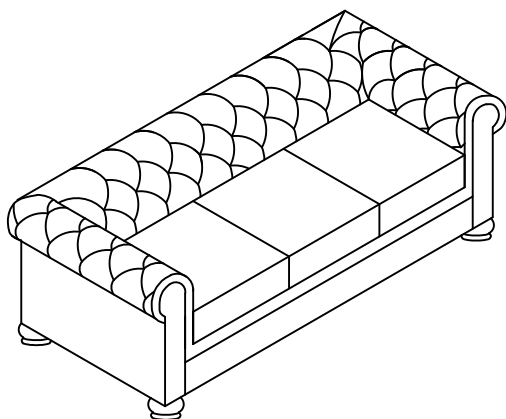


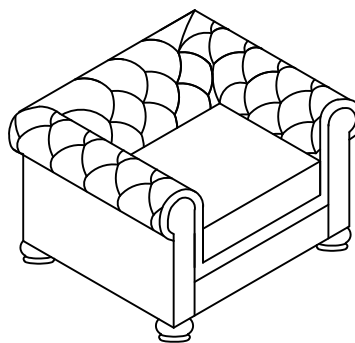
Assembly Instructions

Model 3778

3778



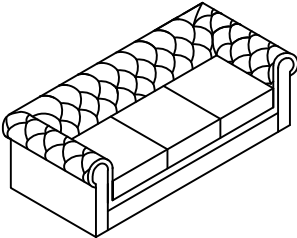
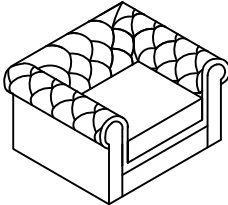
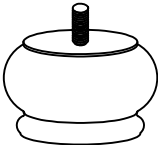
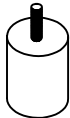
SOFA



CHAIR

REQUIRED TOOLS: (TOOL FREE)

PARTS:(Included)

LABEL	DESCRIPTION	PICTURE	QTY
A1	SOFA ASSEMBLY		SOFA-1 PC
A2	CHAIR ASSEMBLY		CHAIR-1 PC
B	WOOD LEG		SOFA-4 PCS CHAIR-4 PCS
C	SUPPORT LEG		SOFA-1 PC

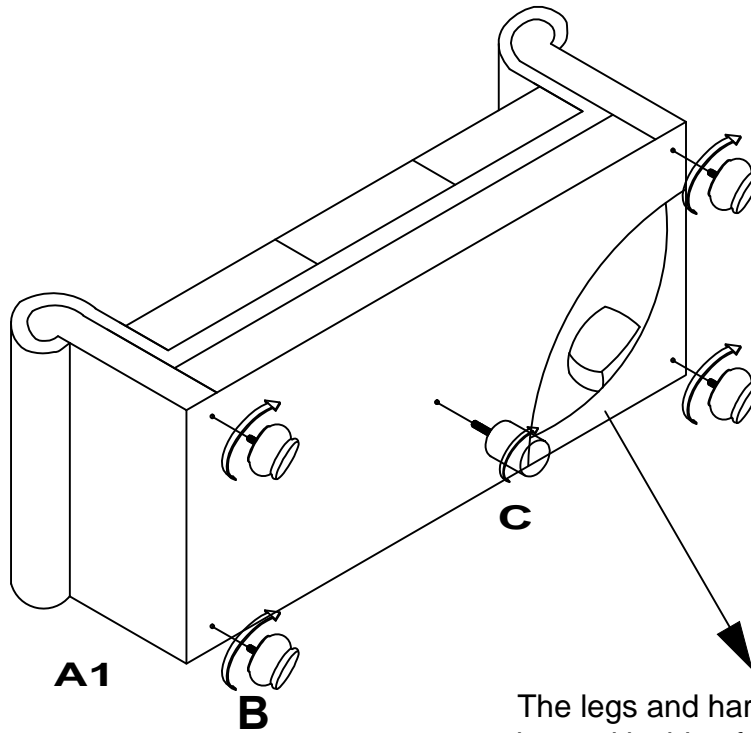
Assembly Instructions

Model 3778

It is recommended to have 2 adults on hand for assembly.

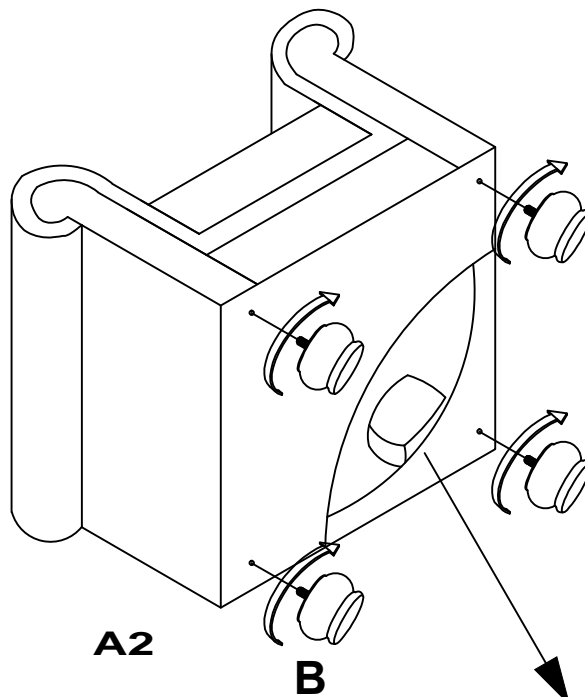
Ensure that all bolts are tightened before use. Check and tighten all bolts periodically throughout use of the products.

(SOFA)



The legs and hardware are located inside of the zip pocket.

(CHAIR)



The legs and hardware are located inside of the zip pocket.