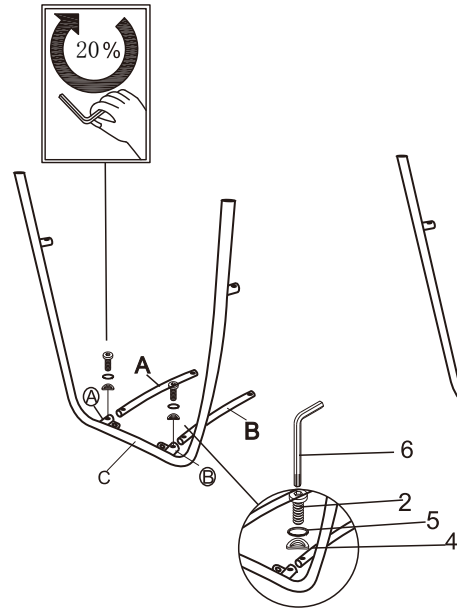


# ASSEMBLY INSTRUCTIONS

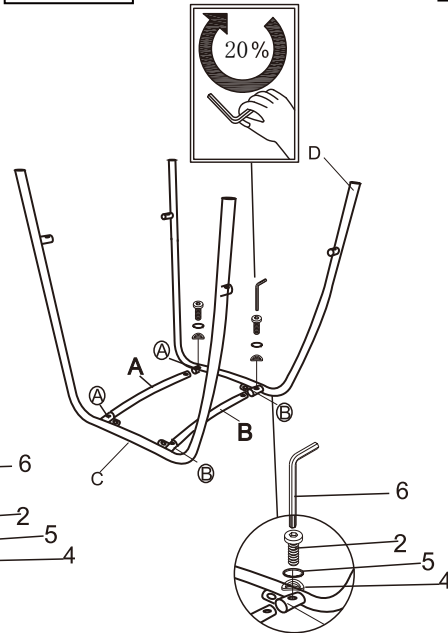
SKU: ND484-24

24" COUNTER STOOL

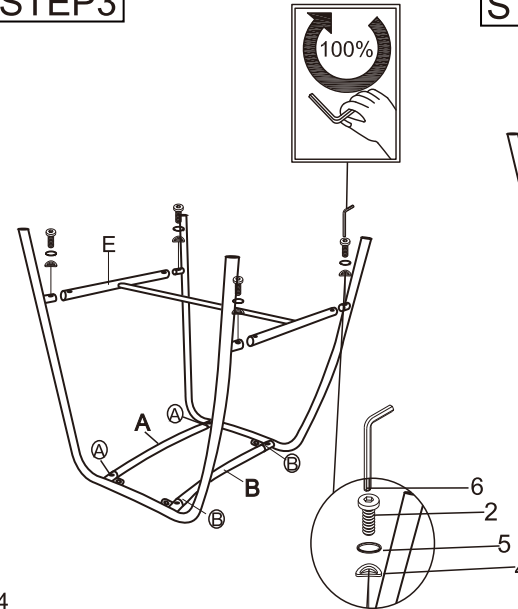
## STEP 1



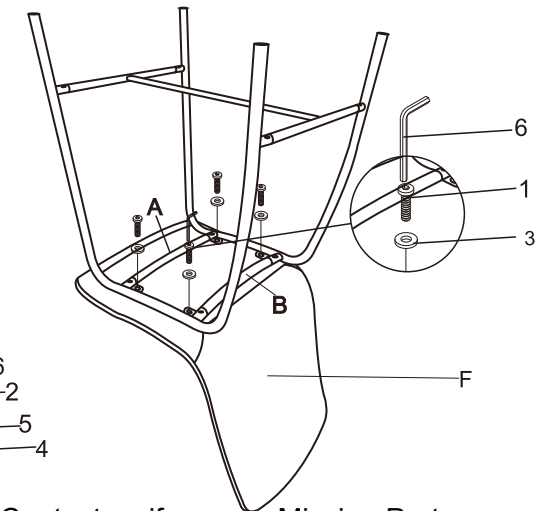
## STEP 2



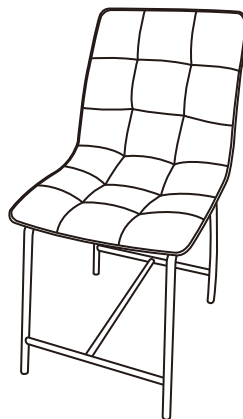
## STEP 3



## STEP 4



## STEP 5



Please Contact us if you are Missing Parts or have any Questions

**877-364-8464**

**info@sunsettrading.com**

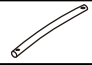





NOTE: Please do not tighten all bolts or discard cartons and packaging material until assembly is completed, thank you!

1		4pcs	Bolt M6*16mm
2		8pcs	Bolt M6*13mm
3		4pcs	Washer φ6*16 mm
4		8pcs	Washer φ6*18mm
5		8pcs	Lock Washer φ6
6		1pc	Allen Wrench 5mm



Please Contact us if you are Missing  
 Parts or have any Questions  
**877-364-8464**  
**info@sunsettrading.com**



			Part Description	Quantity
ND482-24 ND482-25	A		Support tube 1	1
	B		Support tube 2	1
	C		Left leg frame	1
	D		Right leg frame	1
	E		Stretcher	1
	F		Chair back & seat	1
				Hardware Package