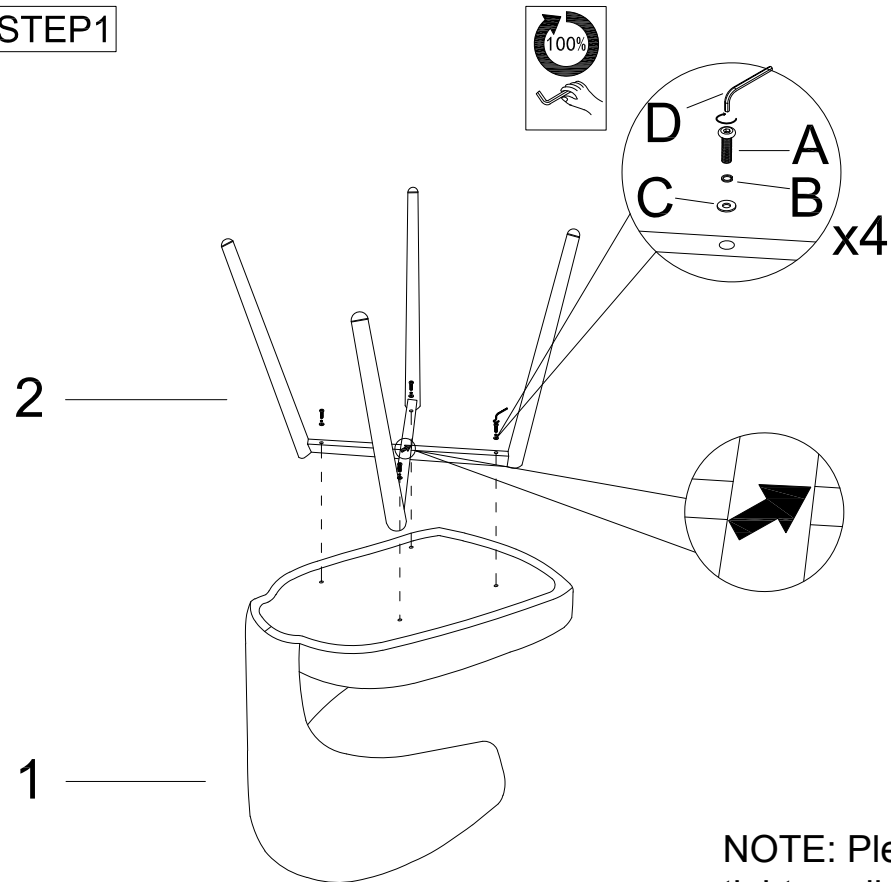


ASSEMBLY INSTRUCTIONS

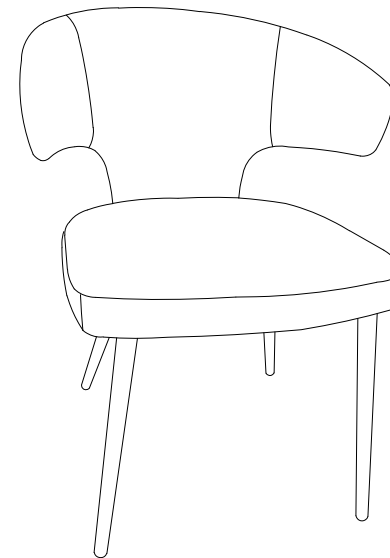
sku: ND084-09

SIDE CHAIR





STEP1



STEP2



NOTE: Please do not tighten all bolts or discard cartons and packaging material until assembly is completed, thank you!

A	4pcs		Bolt M6*45mm
B	4pcs		Lock Washer φ 6*10mm
C	4pcs		Flat Washer φ 6*16mm
D	1pc		Allen Wrench 5mm






Please Contact us if you are Missing Parts or have any Questions
877-364-8464
info@sunsettrading.com



Please Contact us if you are Missing
 Parts or have any Questions
877-364-8464
info@sunsettrading.com



			Part Description	Quantity
ND084-09	1		Chair back & seat	1
	2		Leg frame	1
	3		Glide \varnothing 19x15mm	4
	4		Hardware Package	1