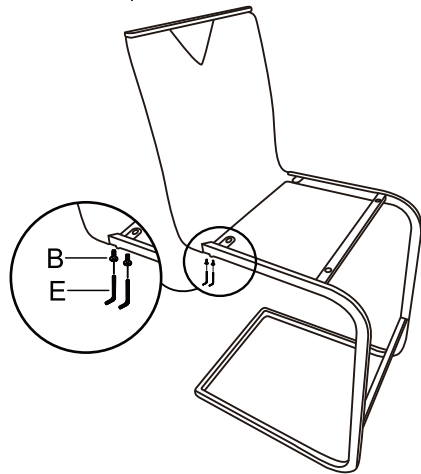


# ASSEMBLY INSTRUCTIONS

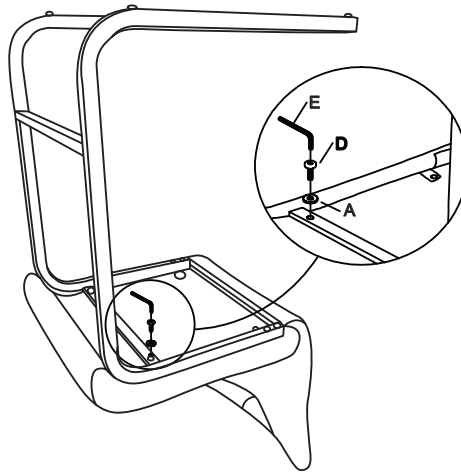
SKU: ND103-24/ND103-25/ND103-26/ND103-27

COUNTER STOOL

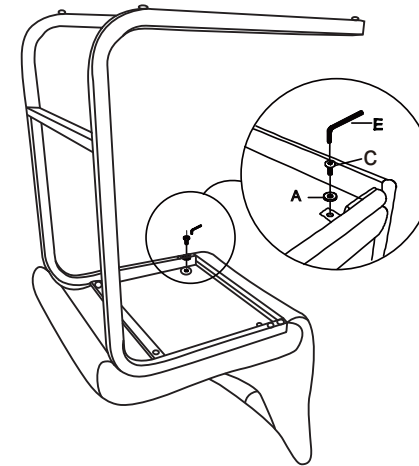
## STEP1








## STEP2



## STEP3



NOTE: Please do not tighten all bolts or discard cartons and packaging material until assembly is completed, thank you!

A		4pcs	Washer Ø18*1.5mm
B		4pcs	Bolt M6*13mm
C		2pcs	Bolt M6*20mm
D		2pcs	Bolt M6*25mm
E		1pc	ALLEN WRENCH 5mm



Please Contact us if you are Missing Parts or have any Questions  
**877-364-8464**  
[info@sunsettrading.com](mailto:info@sunsettrading.com)

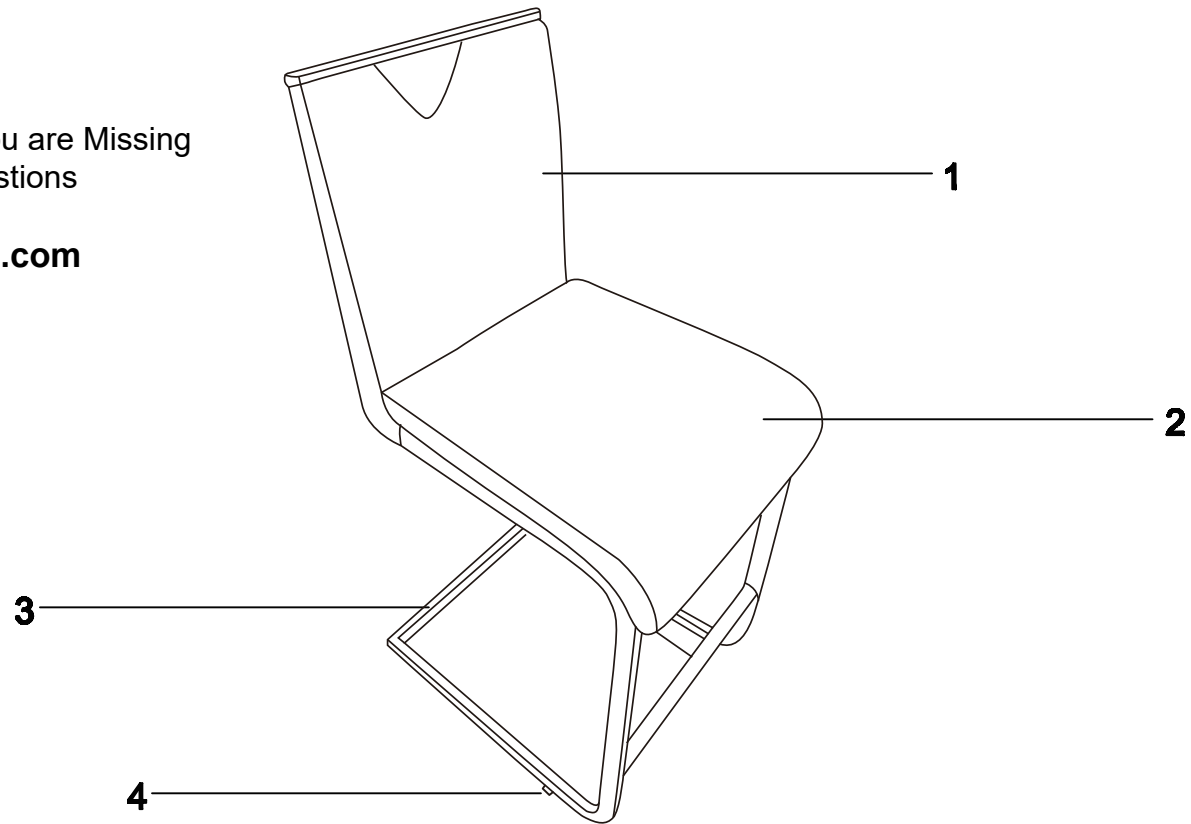






Sunset Trading®

Please Contact us if you are Missing  
Parts or have any Questions

877-364-8464

info@sunsettrading.com



			Part Description	Quantity
ND103-24 ND103-25 ND103-26 ND103-27	1		Chair back	1
	2		Seat Cushion	1
	3		Frame	1
	4		Glide(Ø12mm)	4
	5		Hardware Package	1