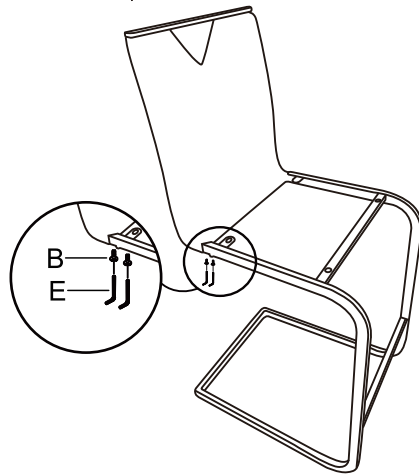


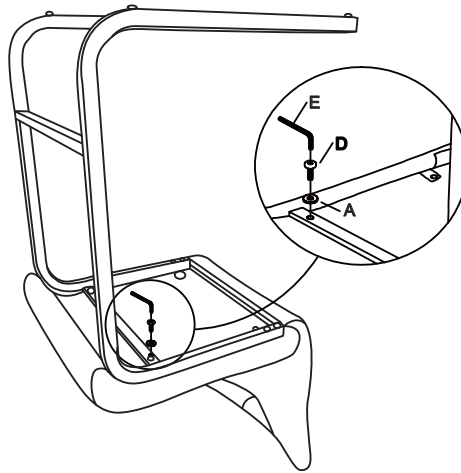
# ASSEMBLY INSTRUCTIONS

SKU: ND103-24/ND103-25/ND103-26/ND103-27 COUNTER STOOL

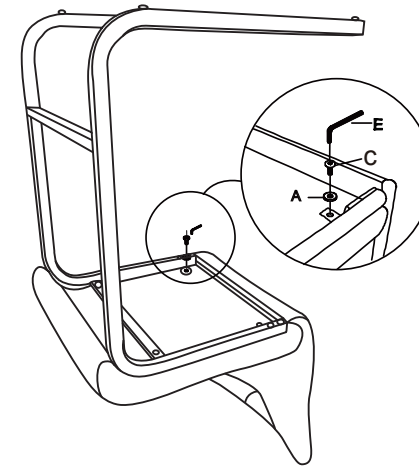
## STEP1








## STEP2



## STEP3



NOTE: Please do not tighten all bolts or discard cartons and packaging material until assembly is completed, thank you!

<b>A</b>		<b>4pcs</b>	<b>Washer Ø18*1.5mm</b>
<b>B</b>		<b>4pcs</b>	<b>Bolt M6*13mm</b>
<b>C</b>		<b>2pcs</b>	<b>Bolt M6*20mm</b>
<b>D</b>		<b>2pcs</b>	<b>Bolt M6*25mm</b>
<b>E</b>		<b>1pc</b>	<b>ALLEN WRENCH 5mm</b>



Please Contact us if you are Missing Parts or have any Questions  
**877-364-8464**  
**info@sunsettrading.com**

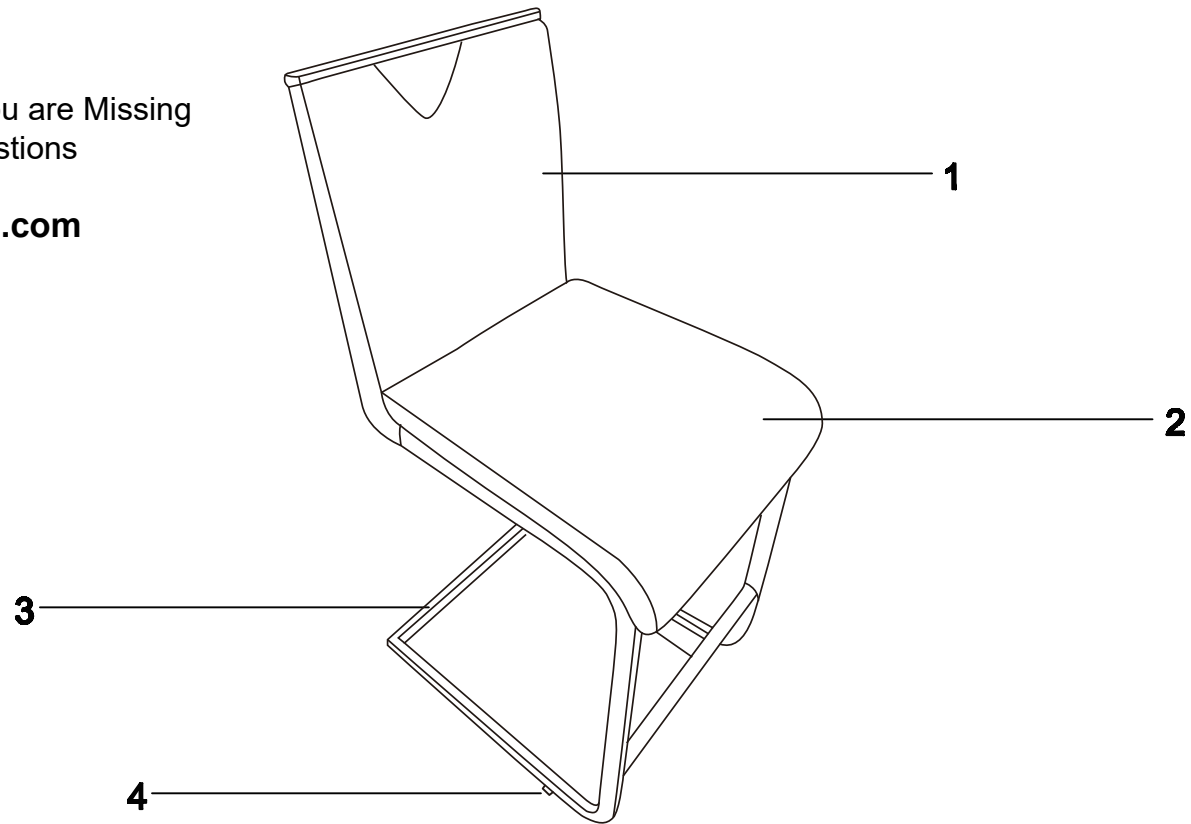






Sunset Trading®

Please Contact us if you are Missing  
Parts or have any Questions

877-364-8464

info@sunsettrading.com



			Part Description	Quantity
ND103-24 ND103-25 ND103-26 ND103-27	1		Chair back	1
	2		Seat Cushion	1
	3		Frame	1
	4		Glide(Ø12mm)	4
	5		Hardware Package	1