

# ASSEMBLY INSTRUCTIONS

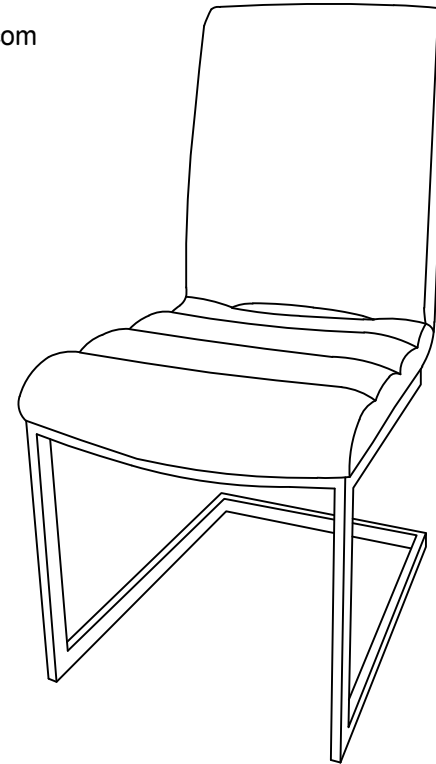
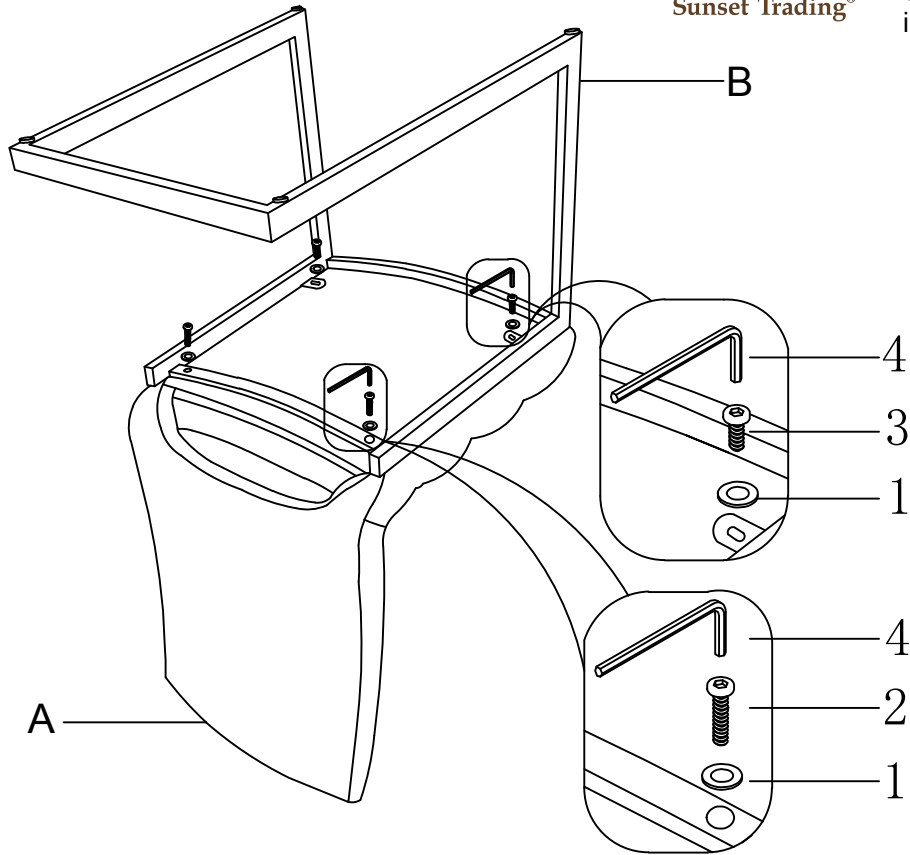
SKU: G5115-01/ G5115-03 /G5115-05

Chair

## STEP 1



Please Contact us if you are Missing  
Parts or have any Questions  
877-364-8464  
info@sunsettrading.com



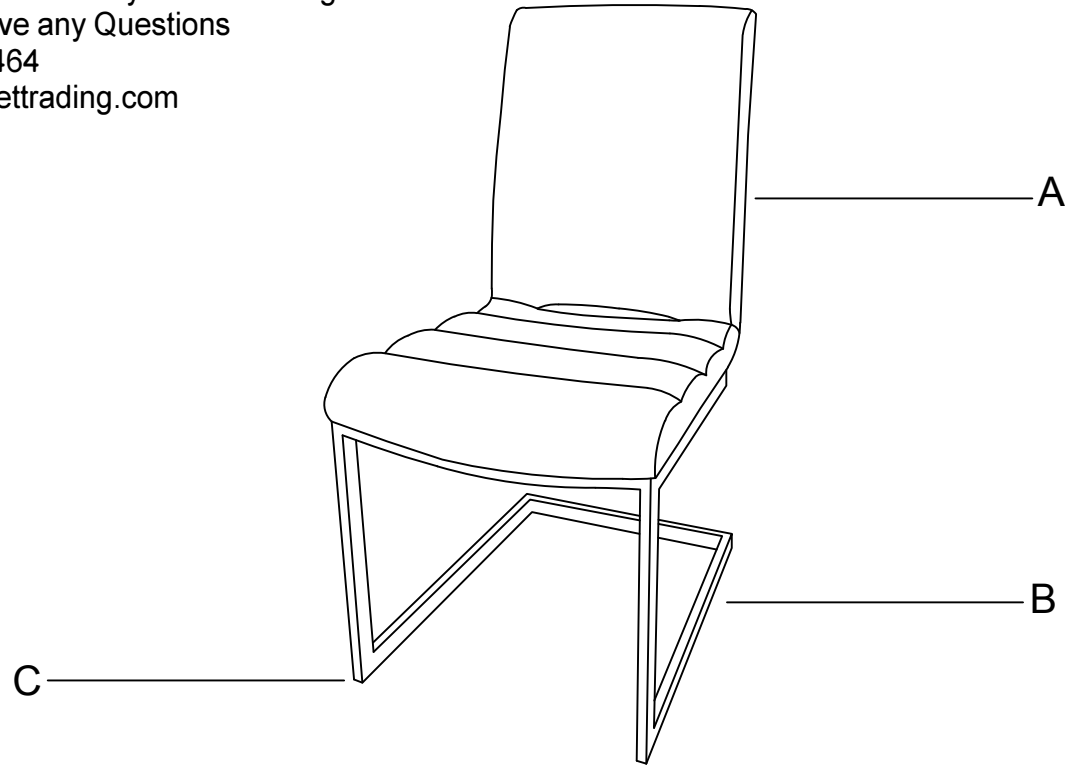
Note: Please do not tighten all bolts or discard cartons and packaging material until assembly is completed, thank you!




### G5115 HARDWARE

1		4PCS	Φ6*18
2		2PCS	M6*30
3		2PCS	M6*15
4		1PC	M4



Please Contact us if you are Missing  
 Parts or have any Questions  
 877-364-8464  
 info@sunsettrading.com



		Part Description	Quantity
G5115	A	 Chair Backrest & Seat	1
	B	 Frame	1
	C	 Glide (STEM $\phi$ 5*7- $\phi$ 15*13 (H) mm)	4
	HDWR	Hardware pack	1