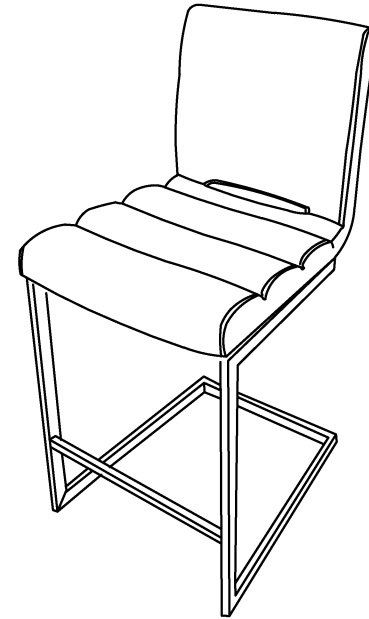
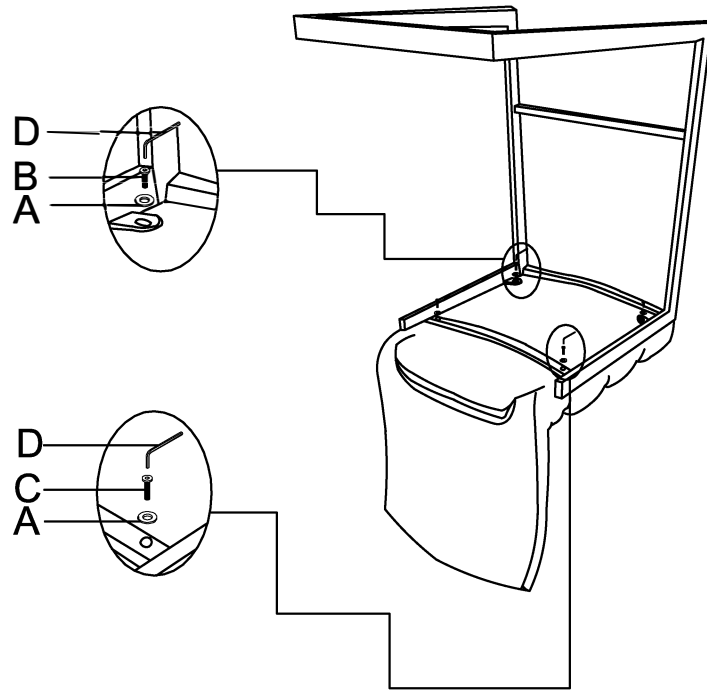






ASSEMBLY INSTRUCTIONS

SKU: G5115 CHAIR



Note: Please do not tighten all bolts or discard cartons and packaging material until assembly is completed, thank you!.

G5115 HARDWARE

A	X4		Φ 6*18
B	X2		M6x15
C	X2		M6*25
D	X1		M5