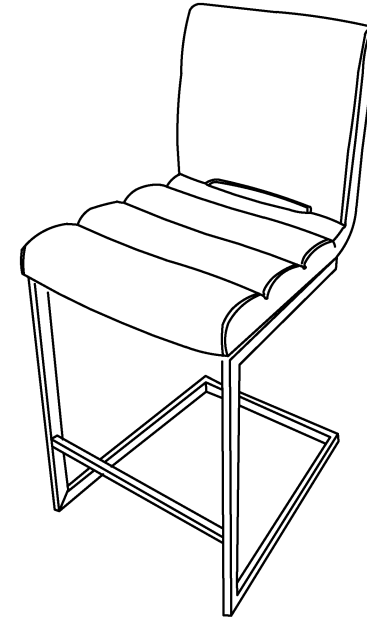
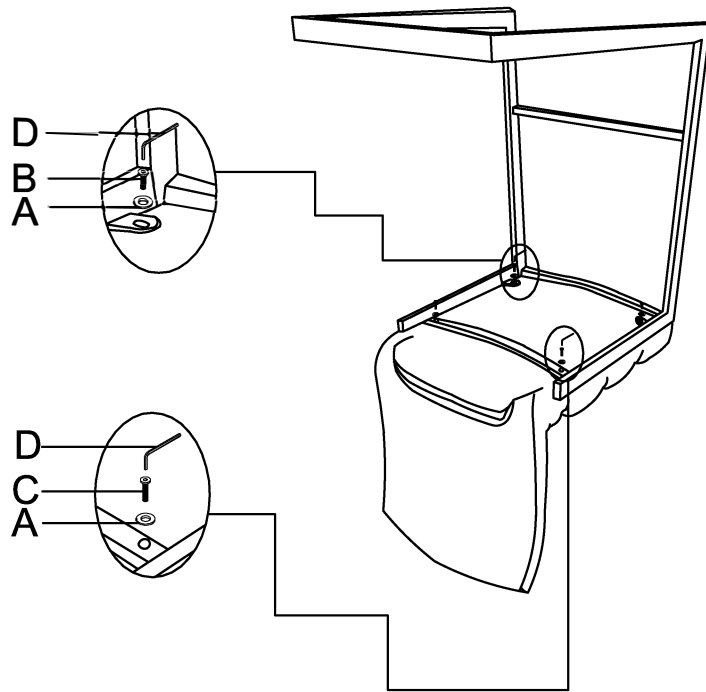






ASSEMBLY INSTRUCTIONS

SKU:G5115 CHAIR



Note: Please do not tighten all bolts or discard cartons and packaging material until assembly is completed, thank you!

G5115 HARDWARE			
A	X4		Φ6*18
B	X2		M6x15
C	X2		M6*25
D	X1		M5