



701 E Industrial PK Dr  
 Manchester NH 03109  
 877-364-8464  
 www.sunsettrading.com  
 info@sunsettrading.com

**Sunset Trading**<sup>®</sup>  
 a div of Sunset Furniture Intl.LLC

\*\*Pls Check to make sure you have all parts otherwise contact local retailer or Sunset Trading customer service at 877-364-8464"

Thank You for purchasing this Quality product. It has been engineered for easy assembly yet constructed for durability. Please take the time to read and follow the instruction while assembling.

# ASSEMBLY INSTRUCTION

DINING TABLE

60" x 36" x 30" H

Model : BR-TL-3660 (DST-1331)

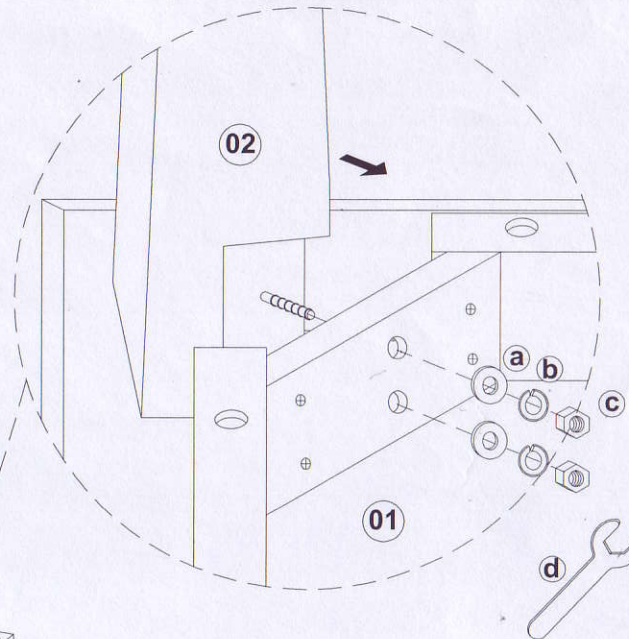
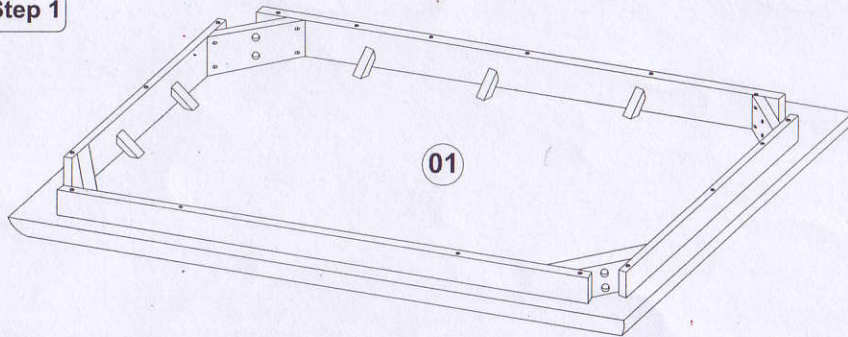
List of Part For 1 Set

01		Table Top	1
02		Table Leg	4

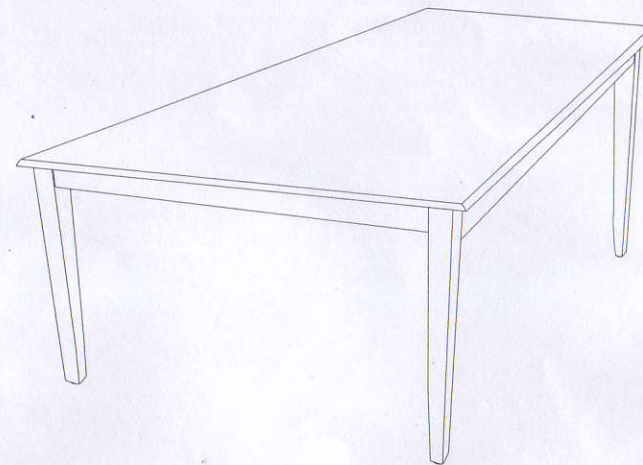
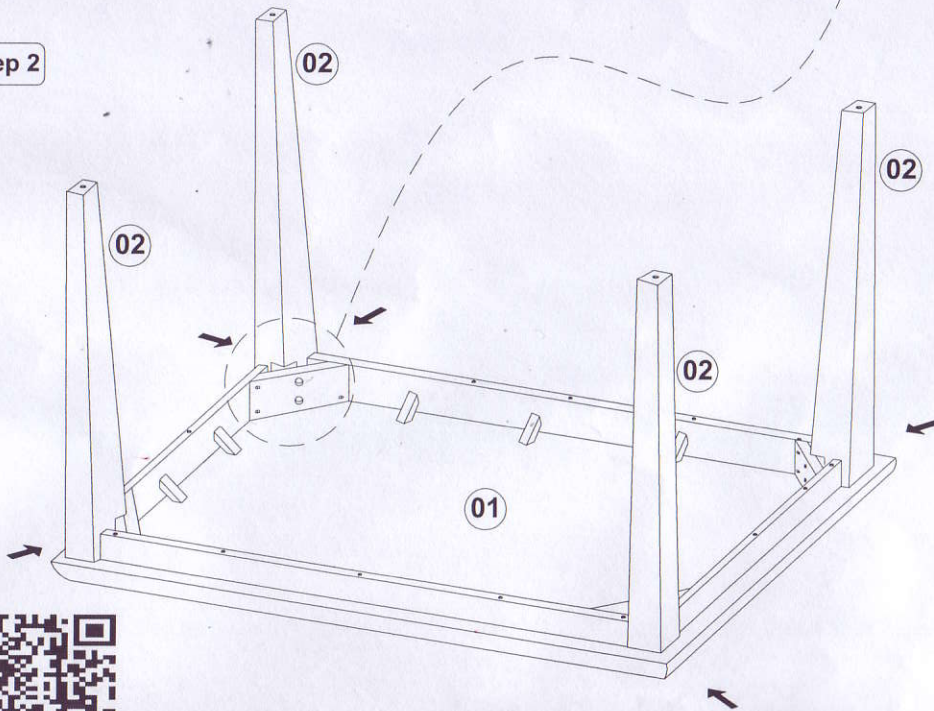
List of hardware For 1 Set

a		Flat Washer 5/16" x 22mm	8
b		Spring Washer 5/16"	8
c		Hexagon Nut 5/16" x 7mm	8
d		Spanner 12.8 mm	1

Step 1



Step 2



Assembly Completed !!..

### ⚠ Important Notes

- \* Keep all hardware parts out of reach of children.
- \* Must tighten screws periodically. With use screws will become loose. Check tightness of all screws every 6-8 weeks.
- \* Don't attempt to repair or modify parts that are broken or defective. Please contact the store immediately.
- \* Do not tighten all screw / bolt until all completely assembled



MADE IN MALAYSIA