



701 E Industrial Pk Dr
Manchester, NH 03109
877-364-8464
sunsettrading.com
info@sunsettrading.com

Please Contact us if you are
Missing Parts or have any Questions

Thank you for purchasing this quality product!
It has been engineered for easy assembly yet
constructed for durability.
Please take the time to read and follow the
instructions while assembling.

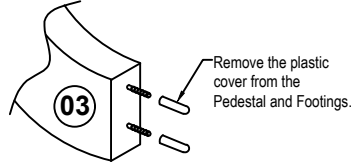
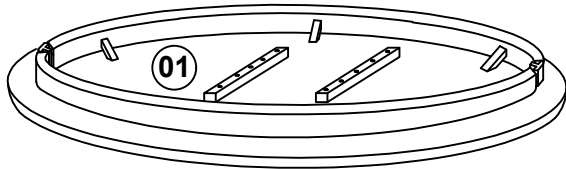
ASSEMBLY INSTRUCTIONS

BROOK TABLE

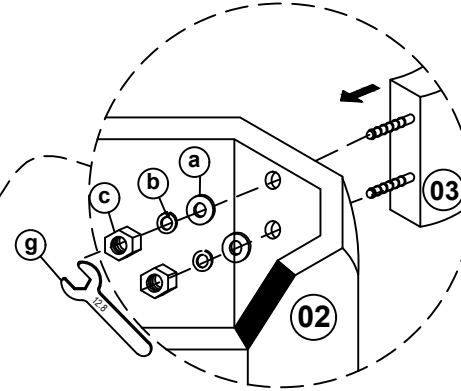
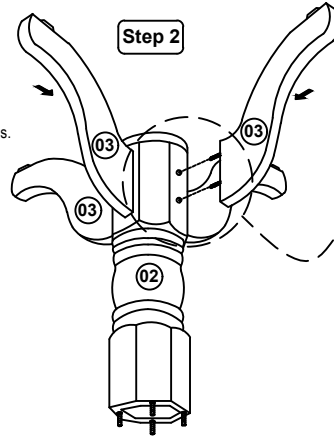
36" x 36" & 30" H

Model : DLU-BR-TP-3636-T&B/CB (TST-1319)

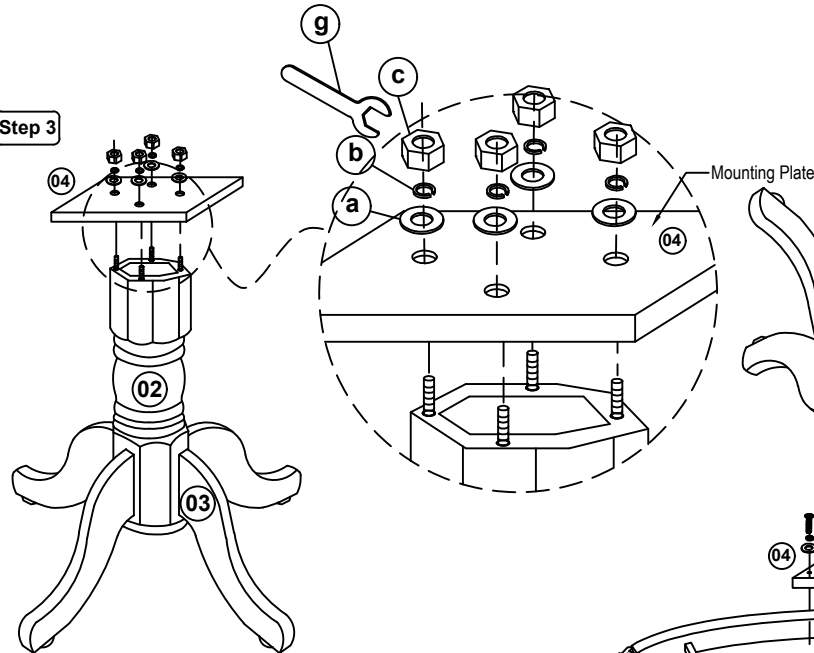
Step 1



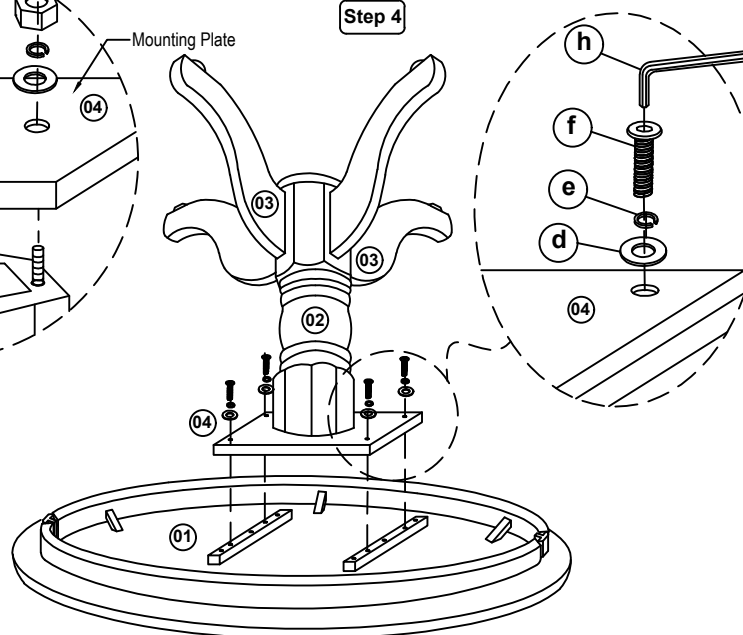
Step 2



Step 3



Step 4



List of Part For 1 Set

01		Table Top	1
02		Pedestal	1
03		Table Leg With Leveler	4
04		Mounting Plate	1

List of hardware For 1 Set

a		Flat Washer 5/16" x 22mm	12
b		Spring Washer 5/16"	12
c		Hexagon Nut 5/16" x 7mm	12
d		Flat Washer 1/4" x 22mm	4
e		Spring Washer 1/4"	4
f		JCBB Bolt M6 x 50mm	4
g		Spanner 12.8mm	1
h		Allen Key M4	1

IMPORTANT:

- Keep all hardware and small parts out of reach of children.
- Do not tighten all screws / bolts until completely assembled.
- Do not attempt to repair or modify parts that are broken or defective. Please contact us immediately.
- Please check tightness of screws every 6-8 weeks, with use screws can become loose.
- Enjoy your new furniture!



MADE IN MALAYSIA