



701 E Industrial PK Dr  
 Manchester NH 03109  
 877-364-8464  
 www.sunsettrading.com  
 info@sunsettrading.com

\*\*Pls Check to make sure you have all parts otherwise contact local retailer or Sunset Trading customer service at 877-364-8464"

Thank You for purchasing this Quality product. It has been engineered for easy assembly yet constructed for durability. Please take the time to read and follow the instruction while assembling.

# ASSEMBLY INSTRUCTION

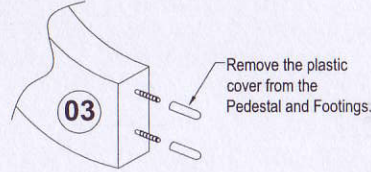
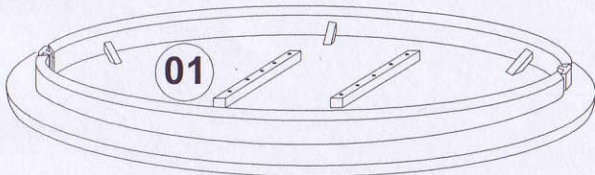
BROOK TABLE

36" x 36" & 36" H

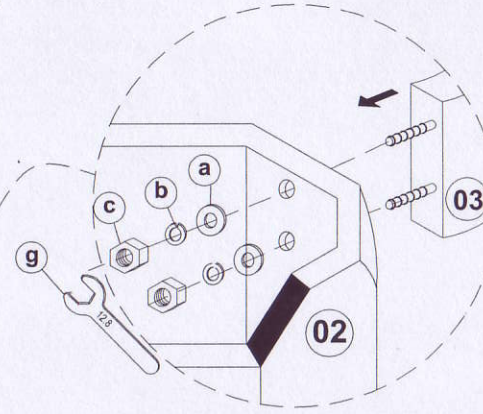
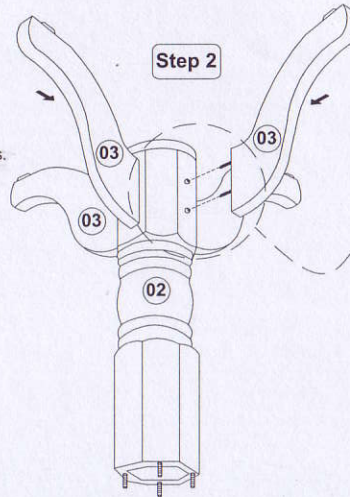
Model : DLU-BR-TP-3636-T&CB (PTST-1319)

**Sunset Trading**<sup>®</sup>  
 a div of Sunset Furniture Intl.LLC

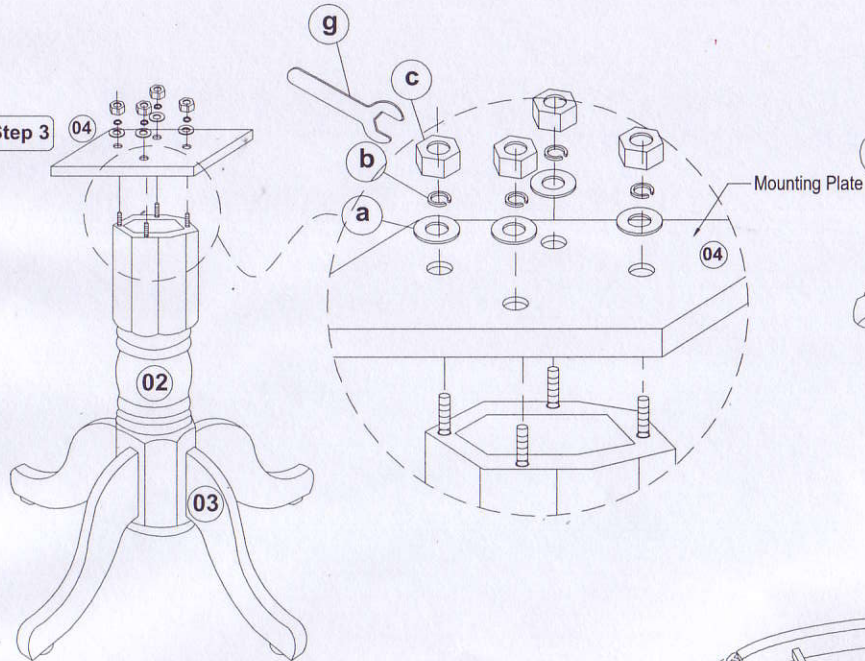
Step 1



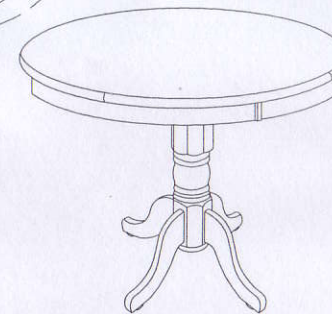
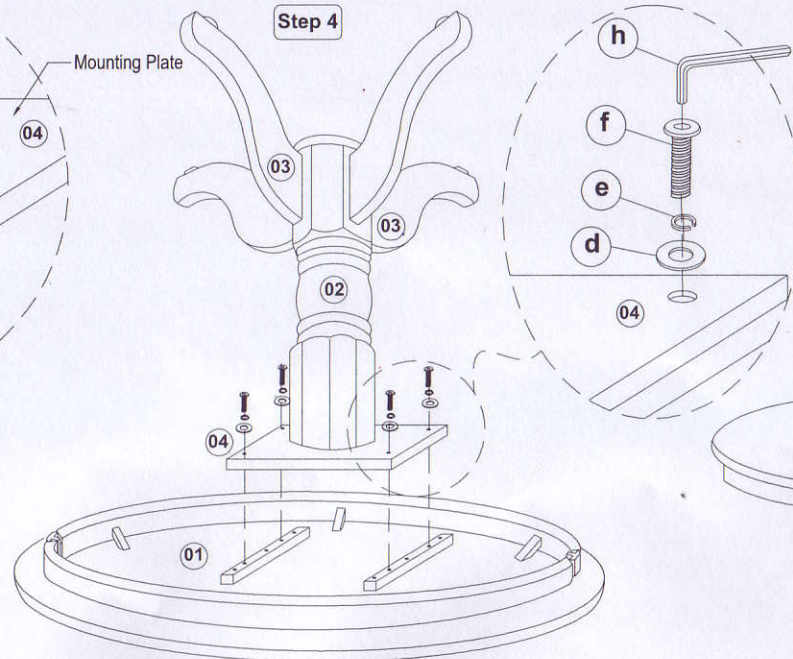
Step 2



Step 3



Step 4



Assembly Completed !!.

### List of Part For 1 Set

01		Table Top	1
02		Pedestal	1
03		Table Leg With Leveler	4
04		Mounting Plate	1

### List of hardware For 1 Set

a		Flat Washer 5/16" x 22mm	12
b		Spring Washer 5/16"	12
c		Hexagon Nut 5/16" x 7mm	12
d		Flat Washer 1/4" x 18mm	4
e		Spring Washer 1/4"	4
f		JCBB Bolt M6 x 50mm	4
g		Spanner 12.8mm	1
h		Allen Key M4	1

### ⚠ Important Notes

- \* Keep all hardware parts out of reach of children.
- \* Must tighten screws periodically. With use screws will become loose. Check tightness of all screws every 6-8 weeks.
- \* Don't attempt to repair or modify parts that are broken or defective. Please contact the store immediately.
- \* Do not tighten all screw / bolt until all completely assembled

MADE IN MALAYSIA





Thank You for purchasing this Quality product. It has been engineered for easy assembly yet constructed for durability. Please take the time to read and follow the instruction while assembling.

# ASSEMBLY INSTRUCTION

BROOK FANCY SLAT STOOL

17"(W) x 20 1/2"(D) x 44 1/2"(H)

Model : DLU-BR-B70-RTA(CS-1003RTA-24")

Sunset Trading®

a div of Sunset Furniture Intl.LLC

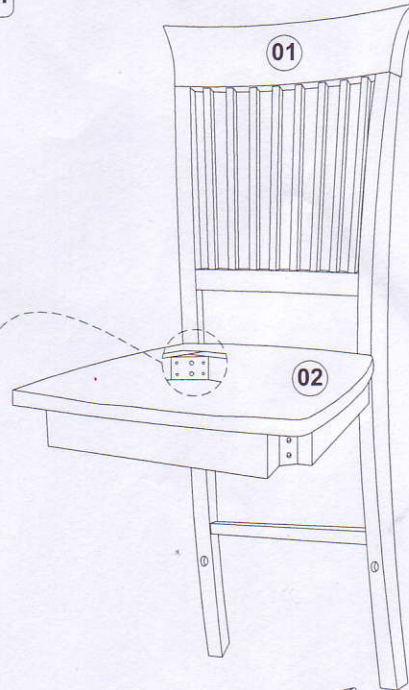
701 E Industrial PK Dr  
Manchester NH 03109

877-364-8464

www.sunsettrading.com  
info@sunsettrading.com

\*\*Pls Check to make sure you have all parts otherwise contact local retailer or Sunset Trading customer service at 877-364-8464"

## Step 1



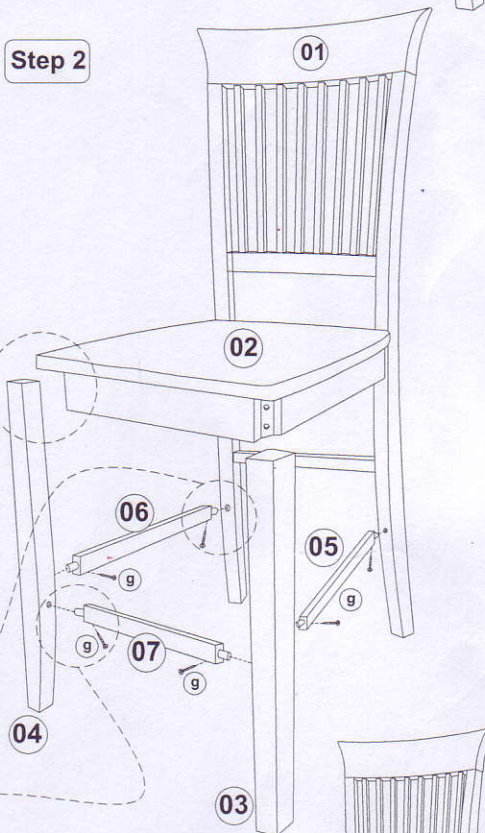
### List of Part For 1 Set

Code	Figure	Part	Qty.
01		Back Frame	1
02		Seat Frame	1
03		Front Leg (L)	1
04		Front Leg (R)	1
05		Left Stretcher	1
06		Right Stretcher	1
07		Front Stretcher	1

### List of hardware For 1 Set

Code	Figure	Hardware	Qty.
a		Hex.Bolt M6 x 80mm	4
b		Hex.Bolt M6 x 60mm	4
c		Hex.Bolt M6 x 40mm	2
d		Flat Washer 1/4" x 18mm	10
e		Spring Washer 1/4"	10
f		Spanner 10mm	1
g		PHRS Screw #8 x 1 1/2"	6

## Step 2



### ! Important Notes

- \* Keep all hardware parts out of reach of children.
- \* Must tighten screws periodically. With use screws will become loose. Check tightness of all screws every 6-8 weeks.
- \* Don't attempt to repair or modify parts that are broken or defective. Please contact the store immediately.
- \* Do not tighten all screw / bolt until all completely assembled.

### Notes

- \* Place all wooden parts on a clean and smooth surface such as a rug or carpet to avoid the parts from being scratched.
- \* Check to be sure that you have all parts and hardware.
- \* Remove all wrapping materials including staples & packing straps before you start to assemble.

### Care And Maintenance

- \* The Touch of a soft cloth is all the maintenance your wood pieces will ever need.
- \* Never use harsh chemicals or abrasive cleaner as they could mark or destroy finish.

Assembly Completed !!

