



701 E Industrial PK Dr
Manchester NH 03109
877-364-8464
www.sunsettrading.com
info@sunsettrading.com

Sunset Trading[®]
a div of Sunset Furniture Intl.LLC

**Pls Check to make sure you have all parts otherwise contact local retailer or Sunset Trading customer service at 877-364-8464"

Thank You for purchasing this Quality product. It has been engineered for easy assembly yet constructed for durability. Please take the time to read and follow the instruction while assembling.

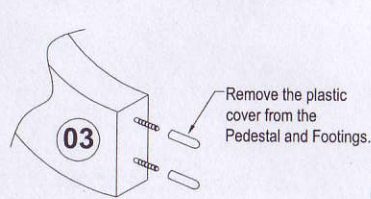
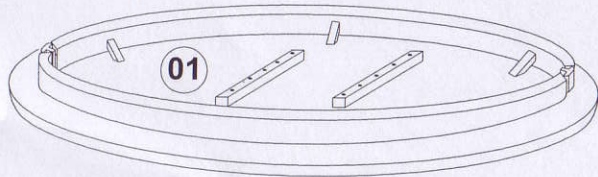
ASSEMBLY INSTRUCTION

BROOK TABLE

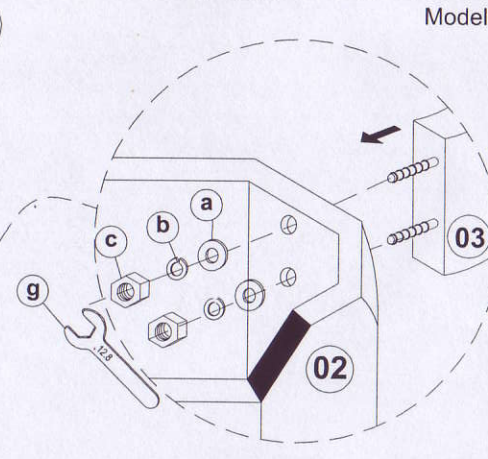
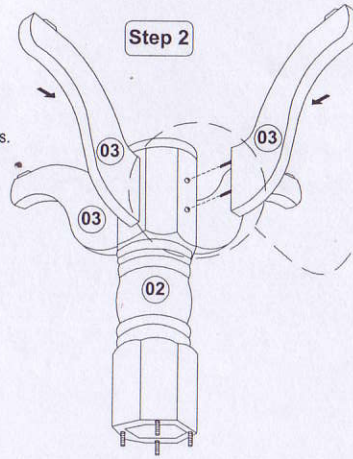
36" x 36" & 30" H

Model : DLU-BR-TP-3636-T&B (TST-1319)

Step 1



Step 2



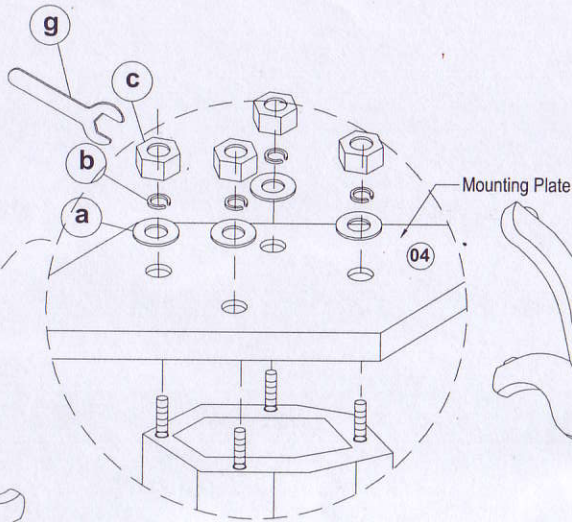
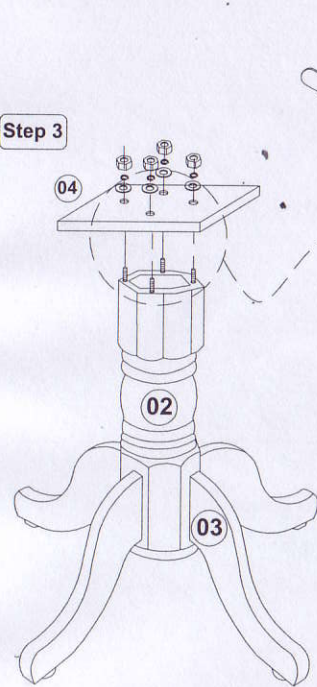
List of Part For 1 Set

| | | | |
|----|--|------------------------|---|
| 01 | | Table Top | 1 |
| 02 | | Pedestal | 1 |
| 03 | | Table Leg With Leveler | 4 |
| 04 | | Mounting Plate | 1 |

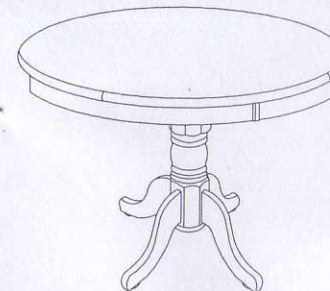
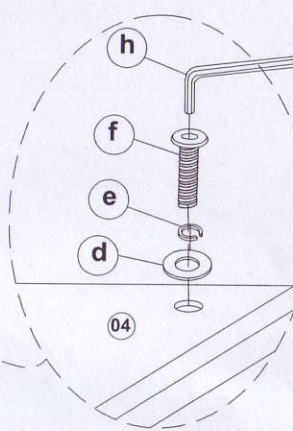
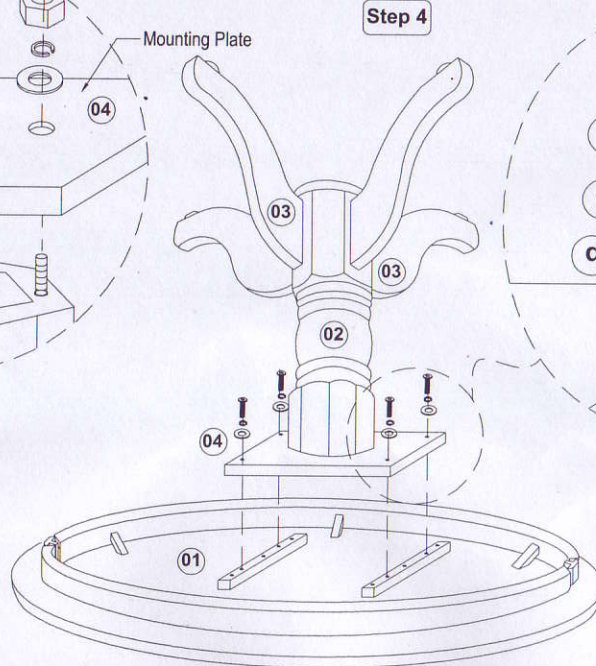
List of hardware For 1 Set

| | | | |
|---|--|-----------------------------|----|
| a | | Flat Washer 5/16" x 22mm | 12 |
| b | | Spring Washer 5/16" | 12 |
| c | | Hexagon Nut 5/16" x 7mm | 12 |
| d | | Flat Washer 1/4" x 22mm | 4 |
| e | | Spring Washer 1/4" | 4 |
| f | | JCBB Bolt M6 x 50mm | 4 |
| g | | Spanner 12.8mm | 1 |
| h | | Allen Key M4 | 1 |

Step 3



Step 4



Assembly Completed !!

Important Notes

- * Keep all hardware parts out of reach of children.
- * Must tighten screws periodically. With use screws will become loose. Check tightness of all screws every 6-8 weeks.
- * Don't attempt to repair or modify parts that are broken or defective. Please contact the store immediately.
- * Do not tighten all screw / bolt until all completely assembled

MADE IN MALAYSIA





Thank You for purchasing this Quality product. It has been engineered for easy assembly yet constructed for durability. Please take the time to read and follow the instruction while assembling.

ASSEMBLY INSTRUCTION

BROOK SLAT BACK CHAIR
21 "(W) x 18" (D) x 36"(H)

Sunset Trading®

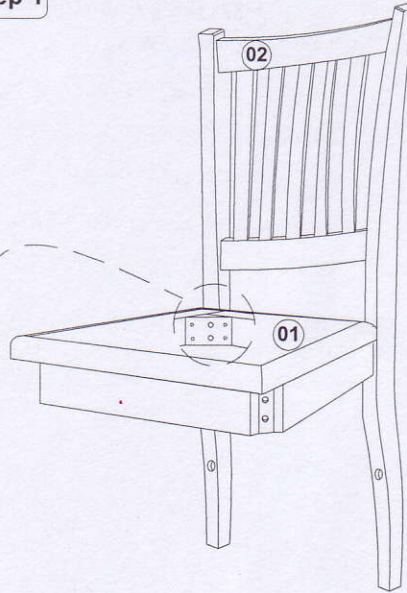
a div of Sunset Furniture Intl.LLC

701 E Industrial PK Dr
Manchester NH 03109
877-364-8464

www.sunsettrading.com
info@sunsettrading.com

**Pls Check to make sure you have all parts otherwise contact local retailer or Sunset Trading customer service at 877-364-8464"

Step 1



Model : DLU-BR-C60-RTA (C-1311)

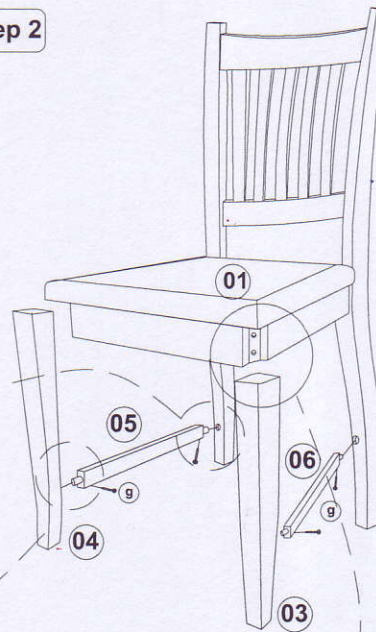
List of Part For 1 Set

| Code | Figure | Part | Qty. |
|------|--------|----------------|------|
| 01 | | Seat Frame | 1 |
| 02 | | Chair Back | 1 |
| 03 | | Front Leg (R) | 1 |
| 04 | | Front Leg (L) | 1 |
| 05 | | Stretchers (L) | 1 |
| 06 | | Stretchers (R) | 1 |

List of hardware For 1 Set

| Code | Figure | Hardware | Qty. |
|------|--------|-------------------------|------|
| a | | Hex. Bolt M6 x 80mm | 4 |
| b | | Hex. Bolt M6 x 60mm | 4 |
| c | | Hex. Bolt M6 x 40mm | 2 |
| d | | Flat Washer 1/4" x 18mm | 10 |
| e | | Spring Washer 1/4" | 10 |
| f | | Spanner 10mm | 1 |
| g | | PHRS Screw #8 x 1 1/2" | 4 |

Step 2



Important Notes

- * Keep all hardware parts out of reach of children.
- * Must tighten screws periodically. With use screws will become loose. Check tightness of all screws every 6-8 weeks.
- * Don't attempt to repair or modify parts that are broken or defective. Please contact the store immediately.
- * Do not tighten all screw / bolt until all completely assembled.

Notes

- * Place all wooden parts on a clean and smooth surface such as a rug or carpet to avoid the parts from being scratched.
- * Check to be sure that you have all parts and hardware.
- * Remove all wrapping materials including staples & packing straps before you start to assemble.
- * Do not tighten all screws / bolts until all completely assembled.

Care And Maintenance

- * The Touch of a soft cloth is all the maintenance your wood pieces will ever need.
- * Never use harsh chemicals or abrasive cleaner as they could mark or destroy finish.



Assembly Completed !!..