



701 E Industrial PK Dr  
 Manchester NH 03109  
 877-364-8464  
 www.sunsettrading.com  
 info@sunsettrading.com

\*\*Pls Check to make sure you have all parts otherwise contact local retailer or Sunset Trading customer service at 877-364-8464"

Thank You for purchasing this Quality product. It has been engineered for easy assembly yet constructed for durability. Please take the time to read and follow the instruction while assembling.

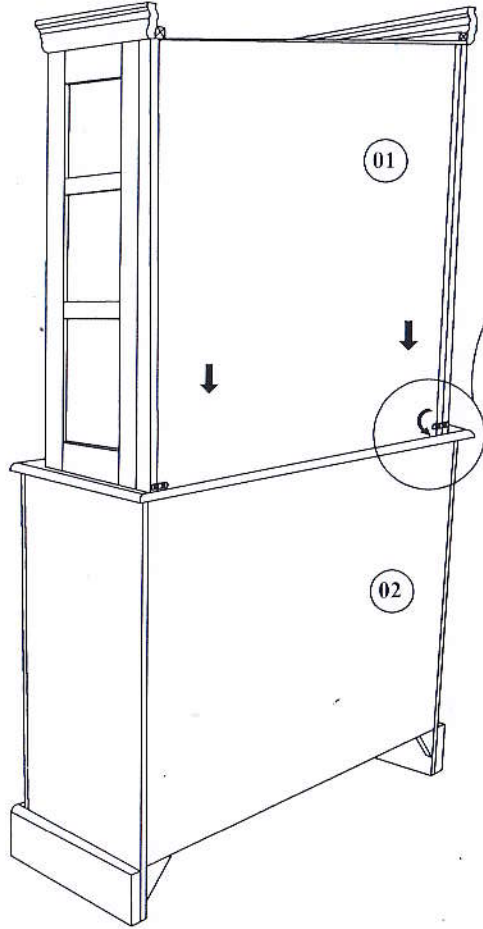
# ASSEMBLY INSTRUCTION

## HUTCH & BUFFET

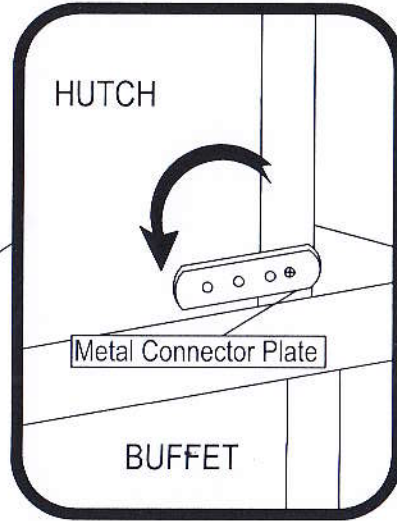
Model : DLU-22-HUT & BUF (HB-017)

**Sunset Trading™**  
 a div of Sunset Furniture Intl LLC

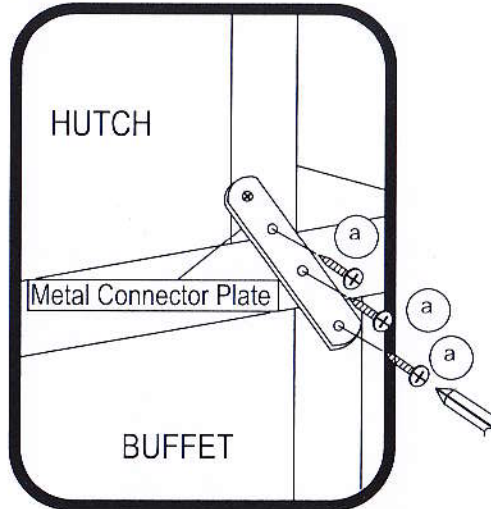
### METAL CONNECTOR FITTING INSTRUCTION



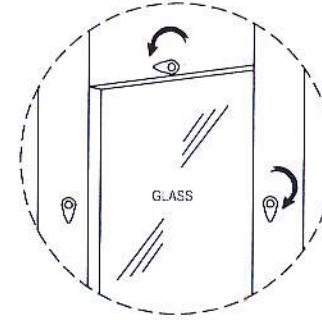
#### STEP 1



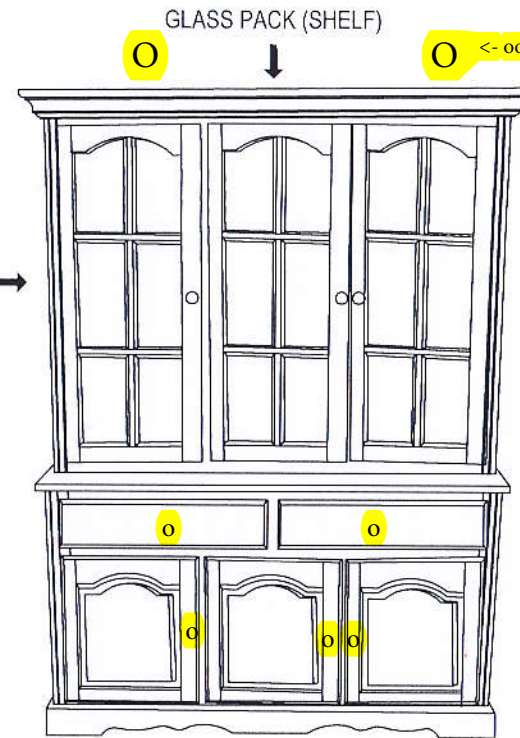
#### STEP 2



\* GLASSES NEED TO BE INSTALLED .



GLASS PACK (DOOR & SIDE) →



#### List of Part For 1 Set

01		HUTCH	1
02		BUFFET	1

#### List of hardware For 1 Set

a		CSKCB SCREW M4 x 20mm	6
b		GLASS PACK (SHELF)	6
c		GLASS PACK (DOOR & SIDE)	5
d -		Wood Knobs	8
		Knob Screws	8
e -		Light fixture	2

#### ▲ Important Notes

- \* Keep all hardware parts out of reach of children.
- \* Must tighten screws periodically. With use screws will become loose. Check tightness of all screws every 6-8 weeks.
- \* Don't attempt to repair or modify parts that are broken or defective. Please contact the store immediately.
- \* Do not tighten all screw / bolt until all completely assembled

f - Side glass / / / - 6

