



701 E Industrial PK Dr  
Manchester NH 03109  
877-364-8464  
www.sunsettrading.com  
info@sunsettrading.com

Sunset Trading<sup>®</sup>

a div of Sunset Furniture Intl.LLC

\*\*Pls Check to make sure you have all parts otherwise contact local retailer or Sunset Trading customer service at 877-364-8464"

Thank You for purchasing this Quality product. It has been engineered for easy assembly yet constructed for durability. Please take the time to read and follow the instruction while assembling.

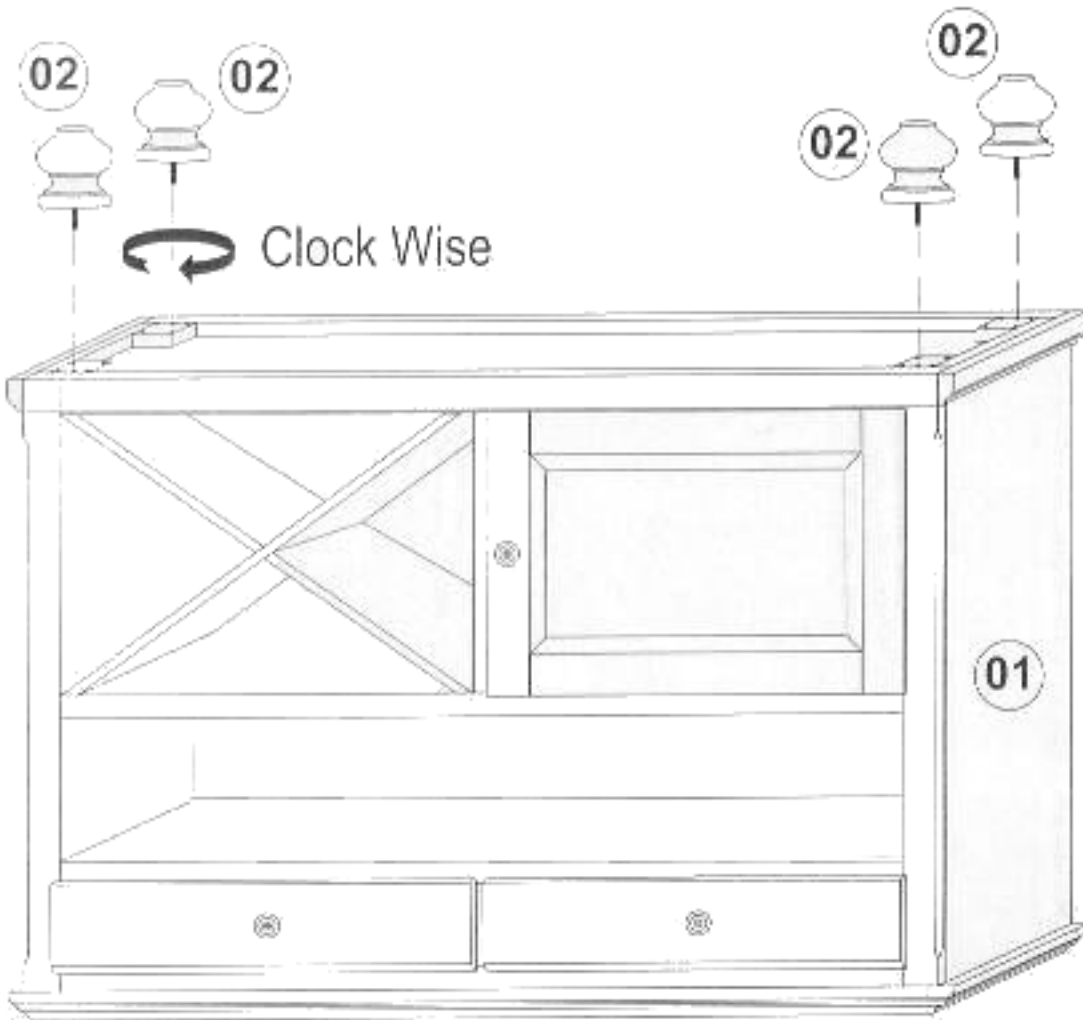
# ASSEMBLY INSTRUCTION

## SERVER

48"L x 17"D x 36 1/2"H

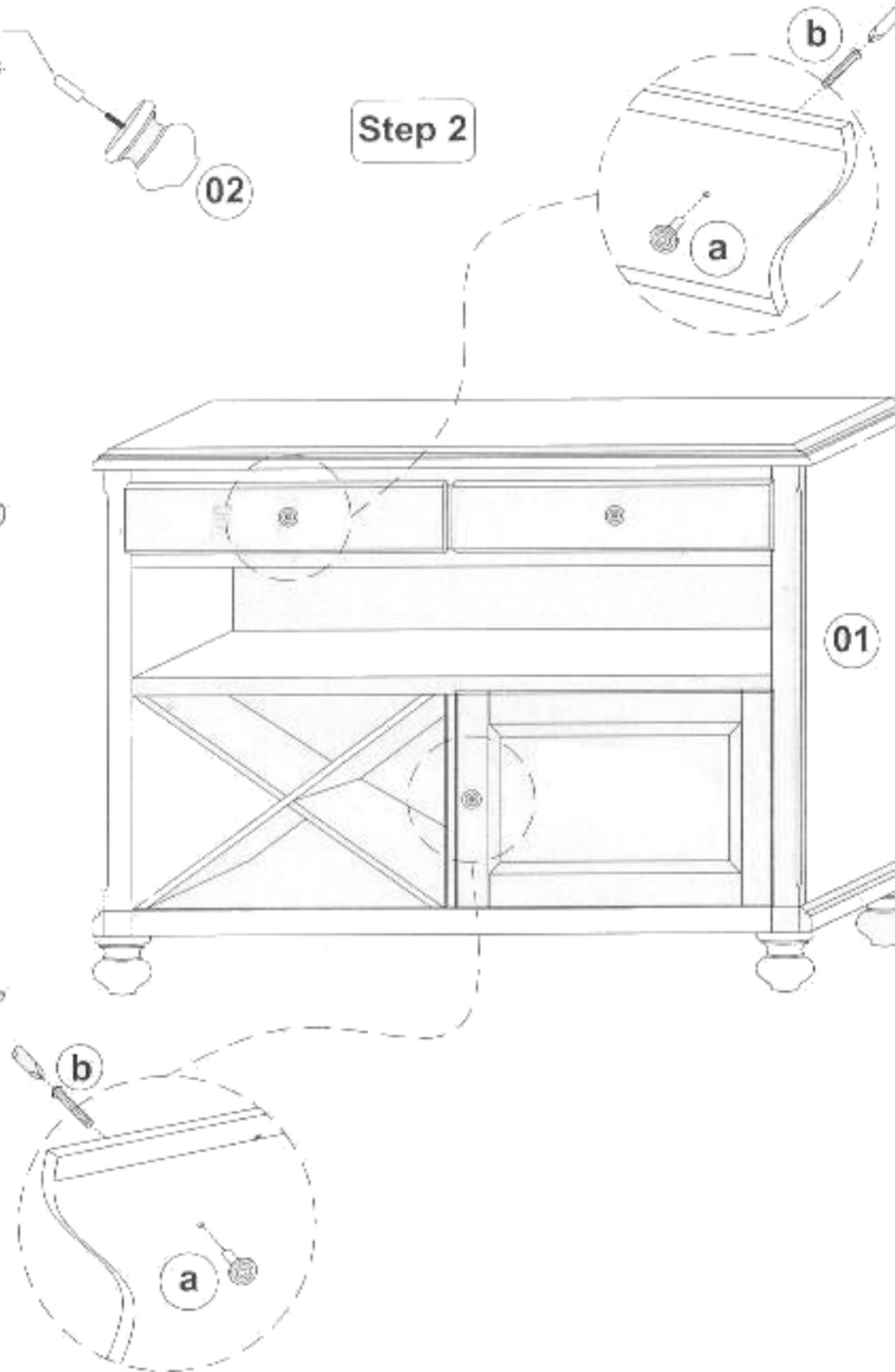
Model : DLU-ADW-SER (S-1118)

### Step 1



Remove the plastic cover from the Pedestal and Bun Leg.

### Step 2



#### List of Part For 1 Set

01		CABINET	1
02		BUN LEG	4

#### List of hardware For 1 Set

a		HANDLE	3
b		TMS SCREW 5/32" x 25mm	3

#### ⚠ Important Notes

- ✦ Keep all hardware parts out of reach of children.
- ✦ Must tighten screws periodically. With use screws will become loose. Check tightness of all screws every 6-8 weeks.
- ✦ Don't attempt to repair or modify parts that are broken or defective. Please contact the store immediately.
- ✦ Do not tighten all screw / bolt until all completely assembled.

