





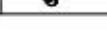


# ASSEMBLY INSTRUCTIONS

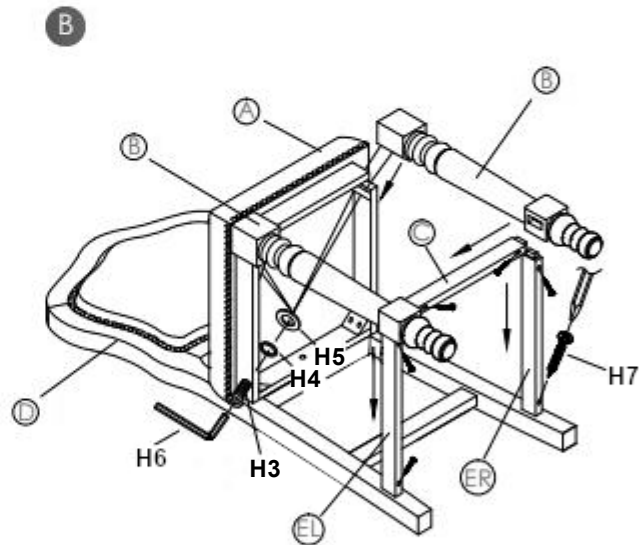
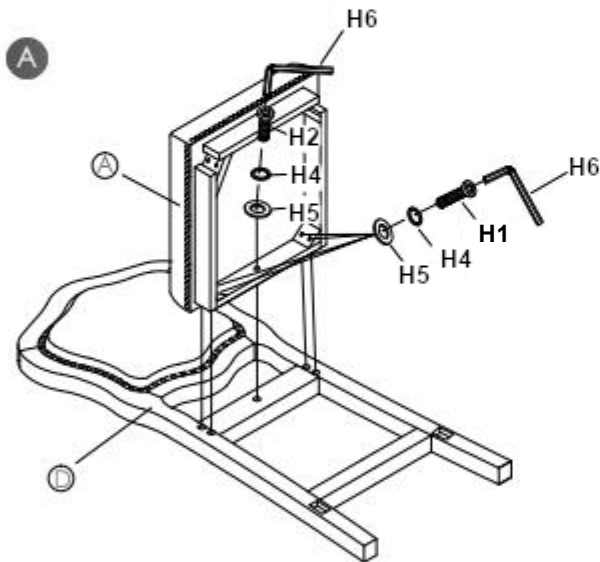
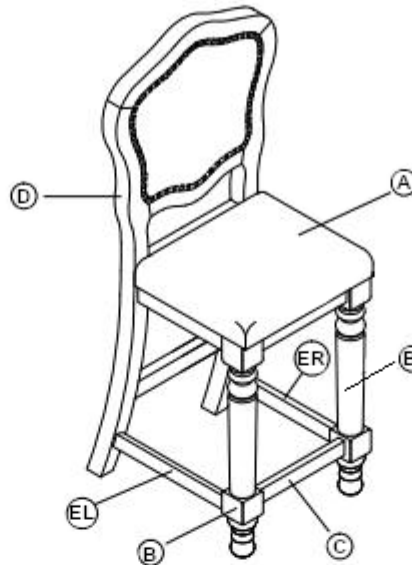
CR-87711 - CR-87148 / STOOLS

## HARDWARE:

Item	Description	QTY
H1	Long Bolt  1/4"×3"	4
H2	Short Bolt  1/4"×1-3/4"	1
H3	Medium Bolt  1/4"×2-1/4"	4
H4	Spring Washer  1/4"×1.2mm	9
H5	Washer  1/4"×19×1.2mm	9
H6	Allen Key  4mm	1
H7	Screw  #8×1/2	6

## PARTS:

Item	Description	QTY
A	Seat	1
B	Front Legs	2
C	Front Stretcher	1
D	Back	1
ER	Right Facing Stretcher	1
EL	Left Facing Stretcher	1



### ATTENTION:






SINCE HARDWOOD AND VENEER ARE USED IN THIS FURNITURE, THERE MAY BE VARIATIONS IN COLOR, SHADE, AND PATTERN. WOOD IS A NATURAL MATERIAL SO NO TWO PIECES ARE EXACTLY ALIKE. AS A RESULT, EACH PIECE TAKES THE STAIN DIFFERENTLY. IT IS THIS VARIATION THAT MAKES WOOD AND VENEER SO BEAUTIFUL.

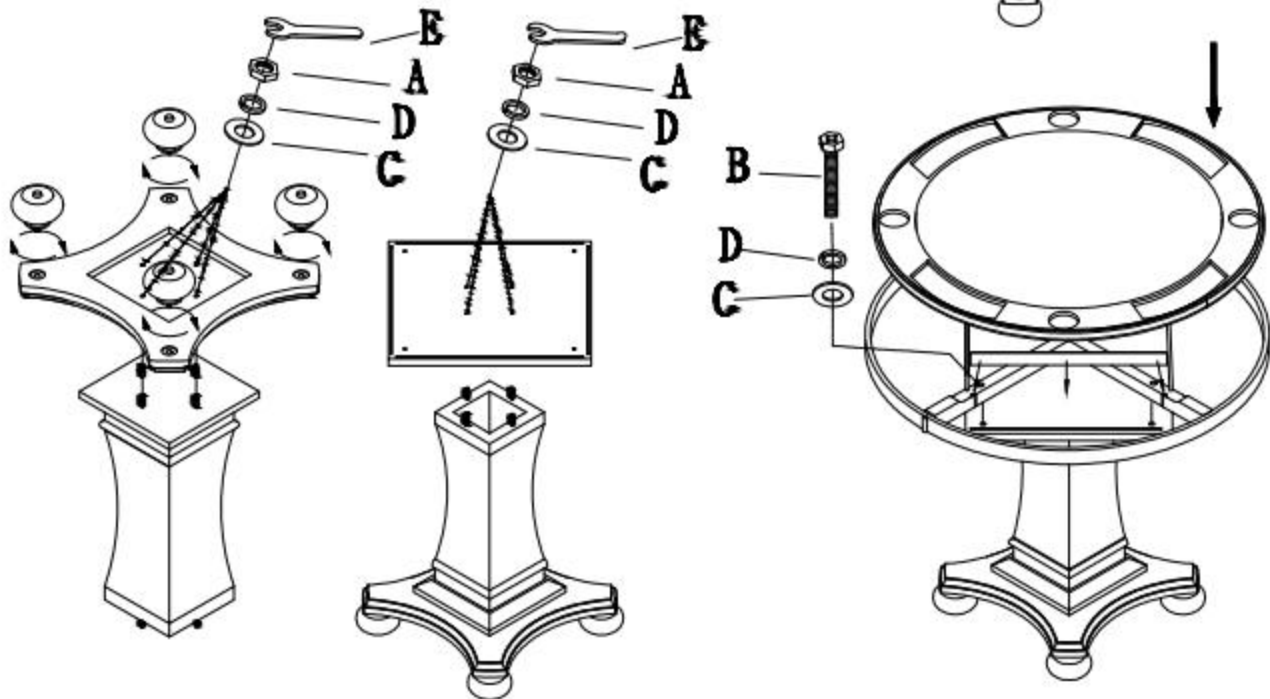
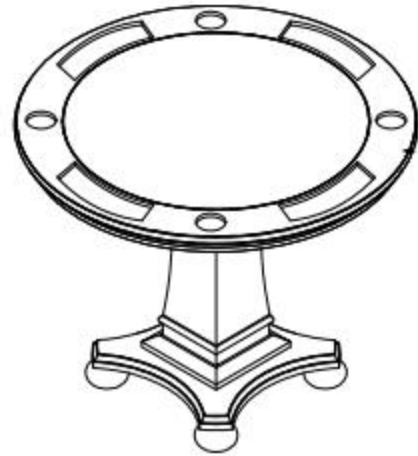
TO CLEAN: DUST WITH A SOFT, CLEAN CLOTH AND USE A QUALITY FURNITURE POLISH. DO NOT USE ANY CLEANERS CONTAINING ALCOHOL, ACETONES, OR OTHER STRONG SOLVENTS.

Please email or call Sunset Trading if you are missing any parts or hardware  
[info@sunsettrading.com](mailto:info@sunsettrading.com) - 877-364-8464

# ASSEMBLY INSTRUCTIONS

## Assembly Procedures:

Item	Description	QTY
A	Nut  5*16**5.5mm	8
B	Bolt  5/16**2-1/4"	4
C	Flat Washer  5/16**19mm	12
D	Lock washer  5/16**14mm	12
E	Spanner  5/16"	1



SINCE HARDWOODS AND VENEERS ARE USED IN THIS FURNITURE, THERE MAY BE VARIATIONS IN COLOR, SHADE AND PATTERN. WOOD IS A NATURAL MATERIAL. NO TWO PIECES OF WOOD OR VENEER ARE EXACTLY ALIKE. AS A RESULT EACH PIECE TAKES THE STAIN DIFFERENTLY. IT IS THIS VARIATION THAT MAKES WOOD AND VENEER SO BEAUTIFUL.

TO CLEAN: TREAT THIS FURNITURE AS YOU WOULD ANY FINE FURNITURE. DUST WITH A CLEAN SOFT CLOTH AND USE A HIGH QUALITY FURNITURE POLISH. DO NOT USE ANY CLEANERS CONTAINING ALCOHOLS, ACETONES, OR OTHER STRONG SOLVENTS.