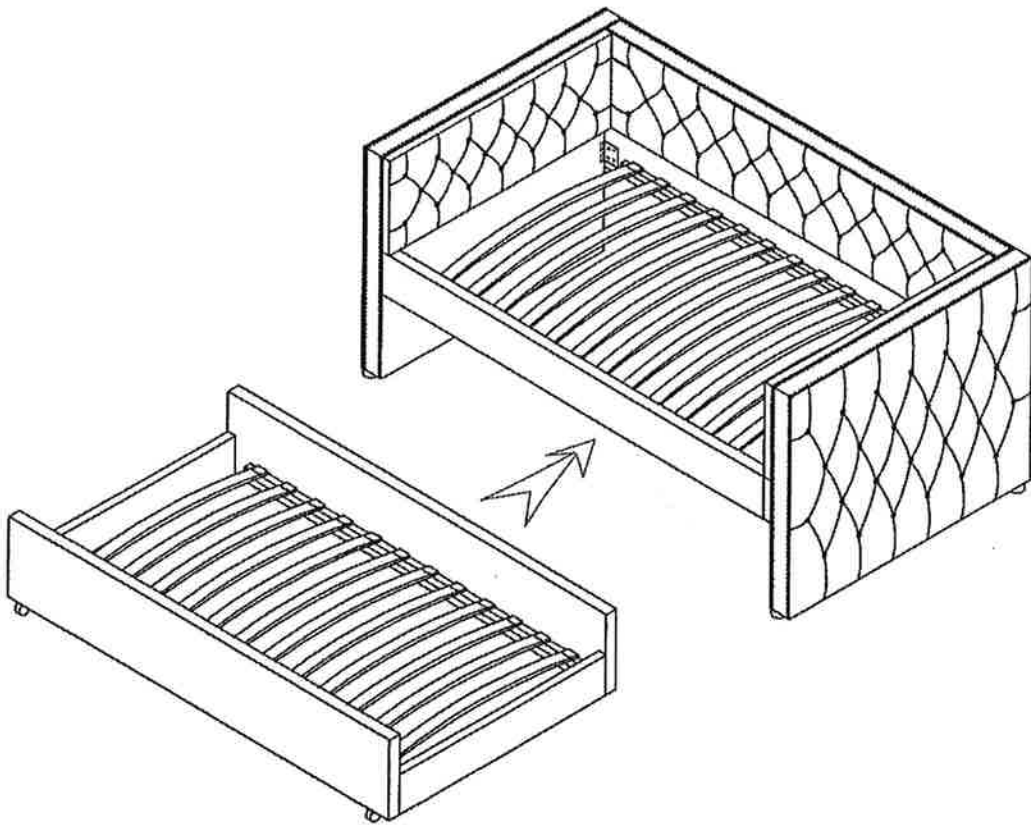


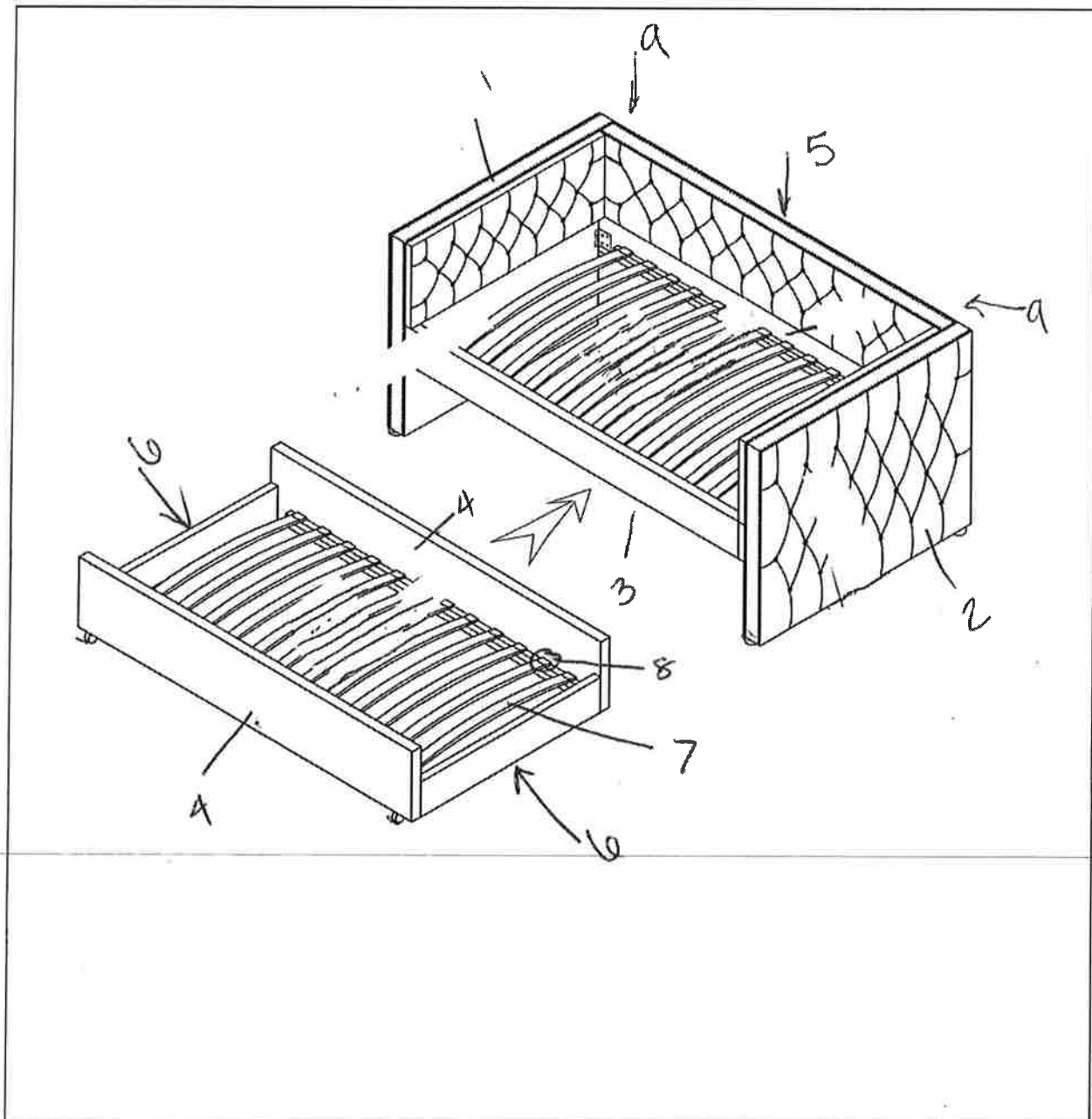
B708-07

# ASSEMBLY INSTRUCTION



B708-07

# ASSEMBLY INSTRUCTION



**SKU:B708-07**

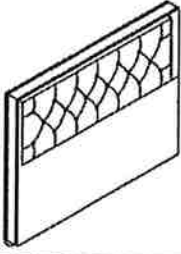
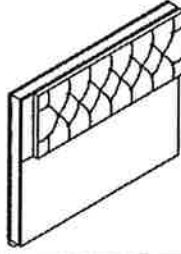
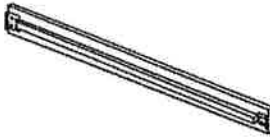
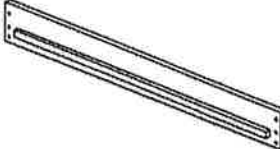
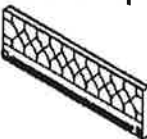
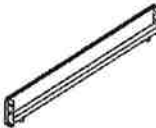
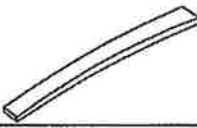
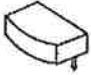

**ASSEMBLY INSTRUCTIONS**

Thank you for purchasing this product. Be sure to check all packaging materials carefully for small parts that may have come loose inside the carton during shipment.





Before you Assemble: Please read all instructions carefully before beginning the assembly process. It is recommended that 2 people work together during assembly to prevent personal injury and to ensure that heavy or cumbersome parts are not damaged during the process.

**CAUTION:**For your safety, this product requires two people to lift.

**PARTS LIST:**

① Headboard-1pc 	② Footboard-1pc 	③ Side Rail-1pcs 	④ Side Rail-2pcs 
⑤ Side Rail-1pcs 	⑥ Side Rail-2pcs 	⑦ Slats-24pcs 	⑧ End Cap-48pcs 
⑨ Metal Connect -2 pcs 			

**HARDWARE LIST:**

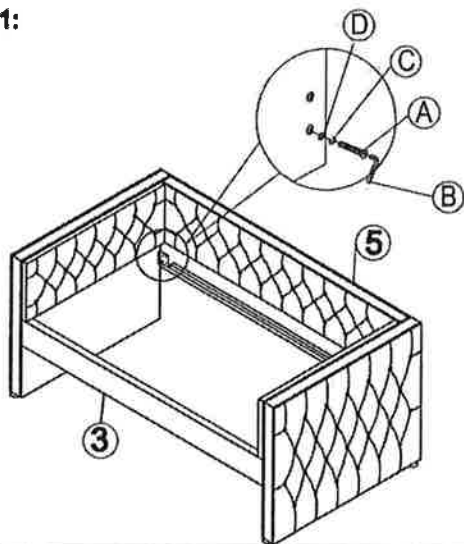
Ⓐ Bolt M8*35mm-28pcs 	Ⓑ Allen Key-1pc 	Ⓒ Spring Washer-28pcs 
Ⓓ Flat Washer-28pcs 		

*\* See attached diagram*

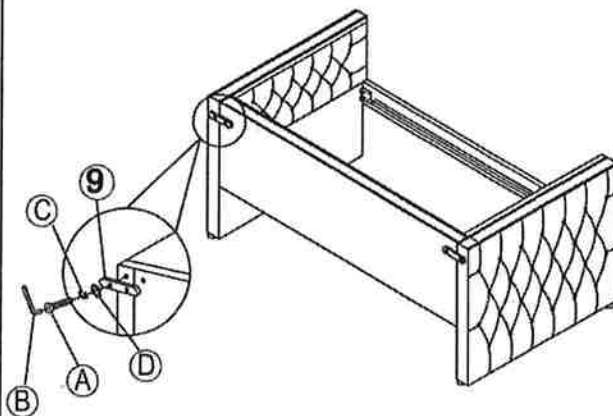
**SKU:B708-07**

**ASSEMBLY INSTRUCTIONS**

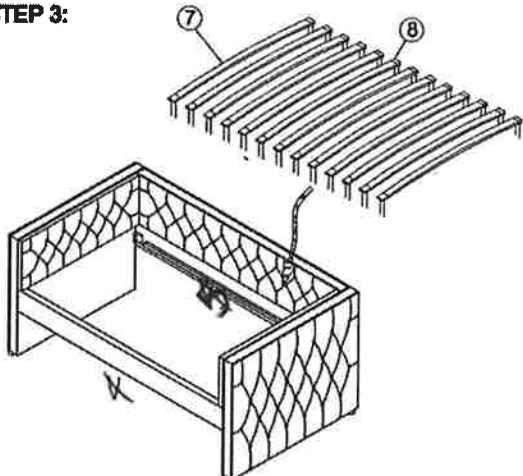
**STEP 1:**



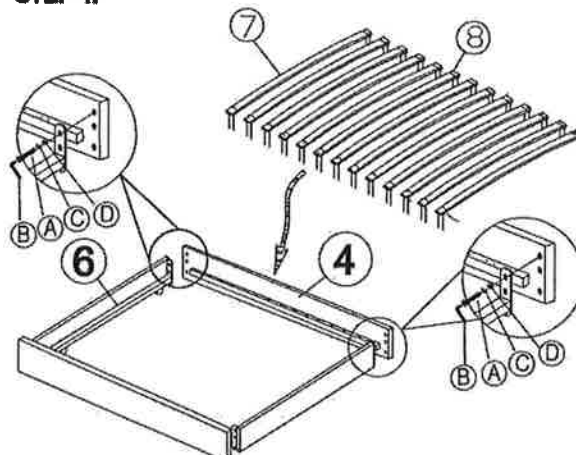
**STEP 2:**



**STEP 3:**



**STEP 4:**



**STEP 5:**

