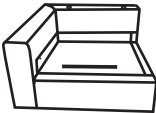


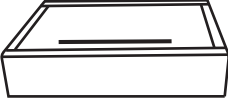








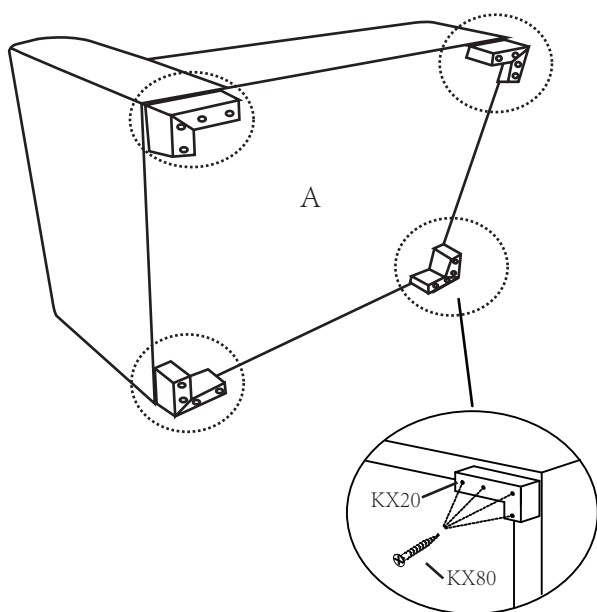


ASSEMBLY INSTRUCTION

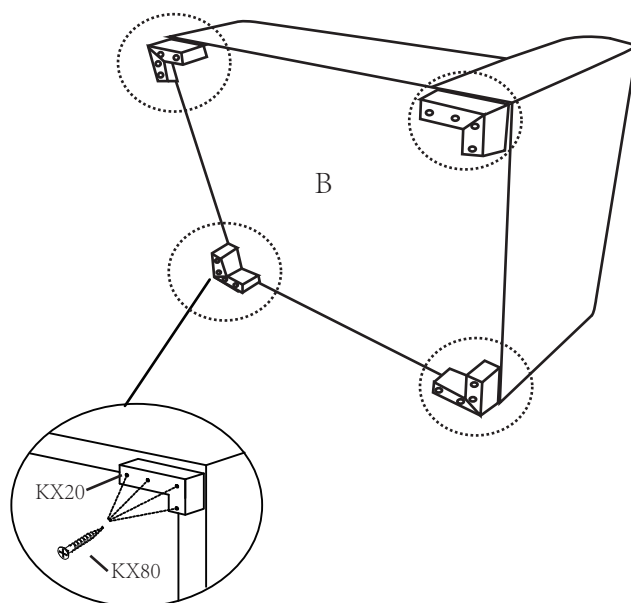
PARTS LIST:

					
AX1PC	BX1PC	CX1PC	DX2PCS	EX3PCS	FX2PCS
					
GX3PCS	HX6PCS	IX2PCS	JX20PCS	KX80PCS	LX13PCS

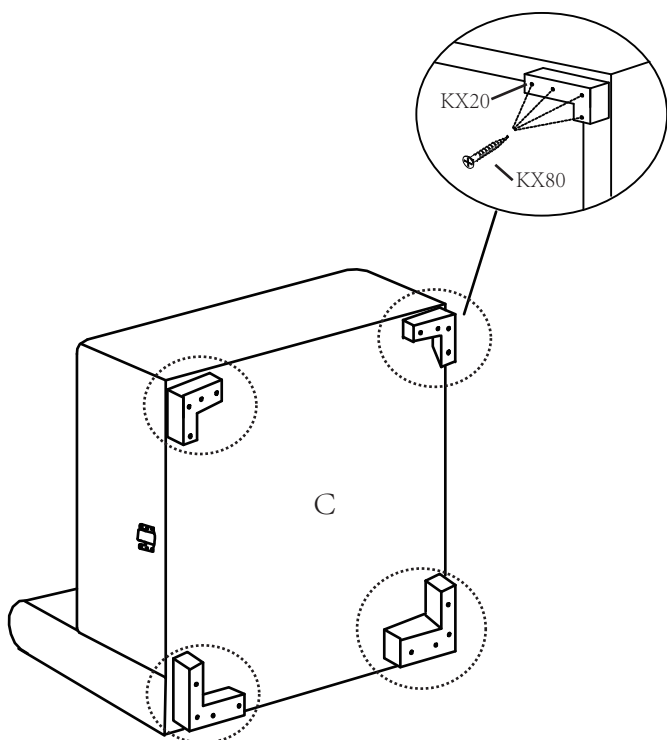
STEP 1



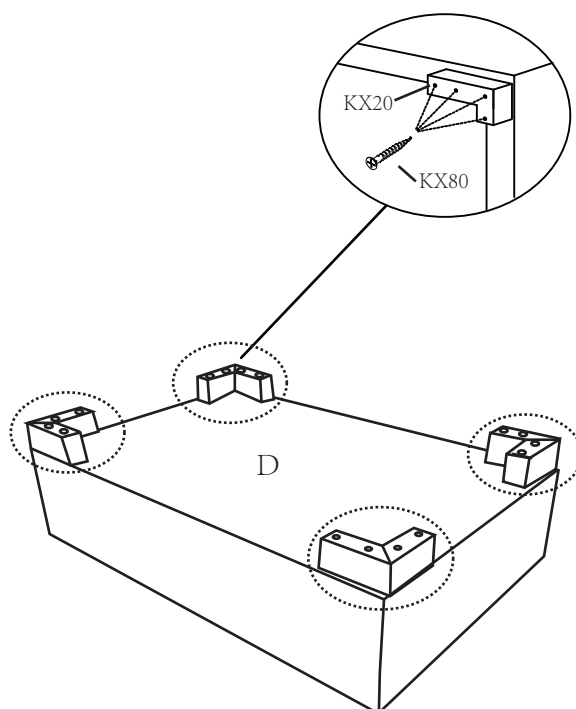
STEP 2



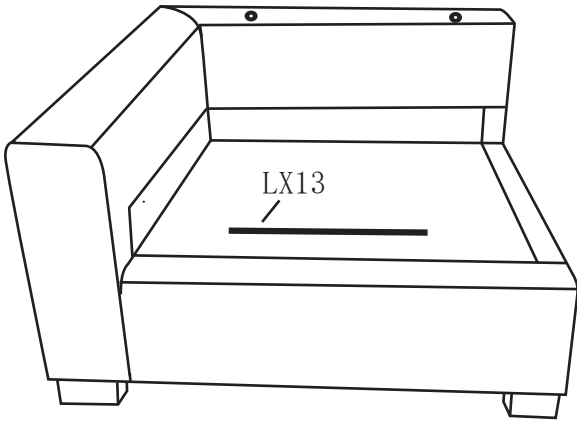
STEP 3



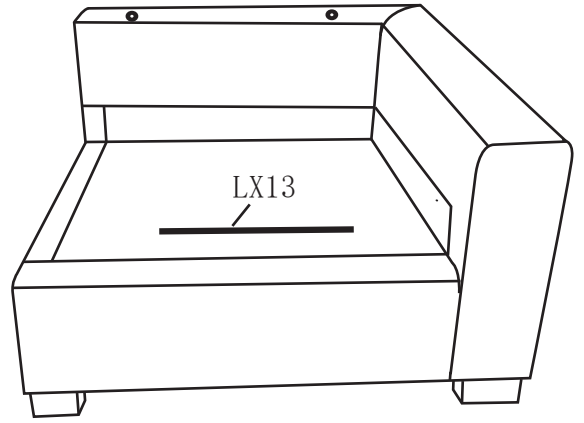
STEP 4



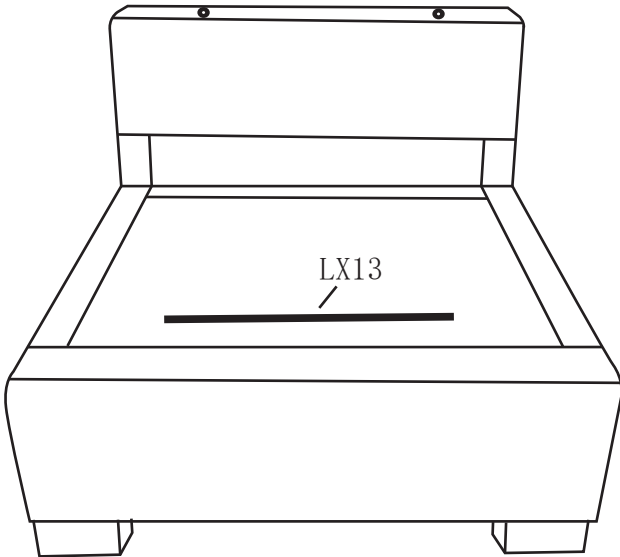
STEP 5



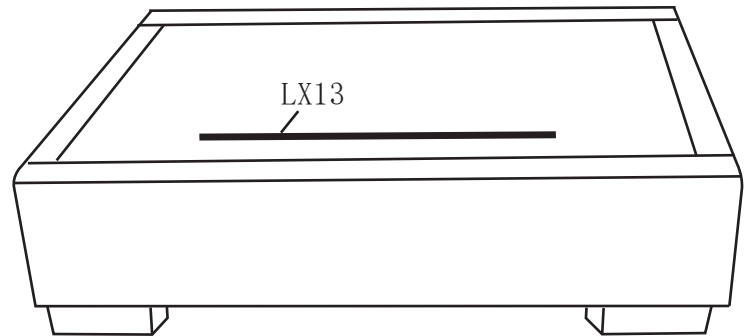
STEP 6



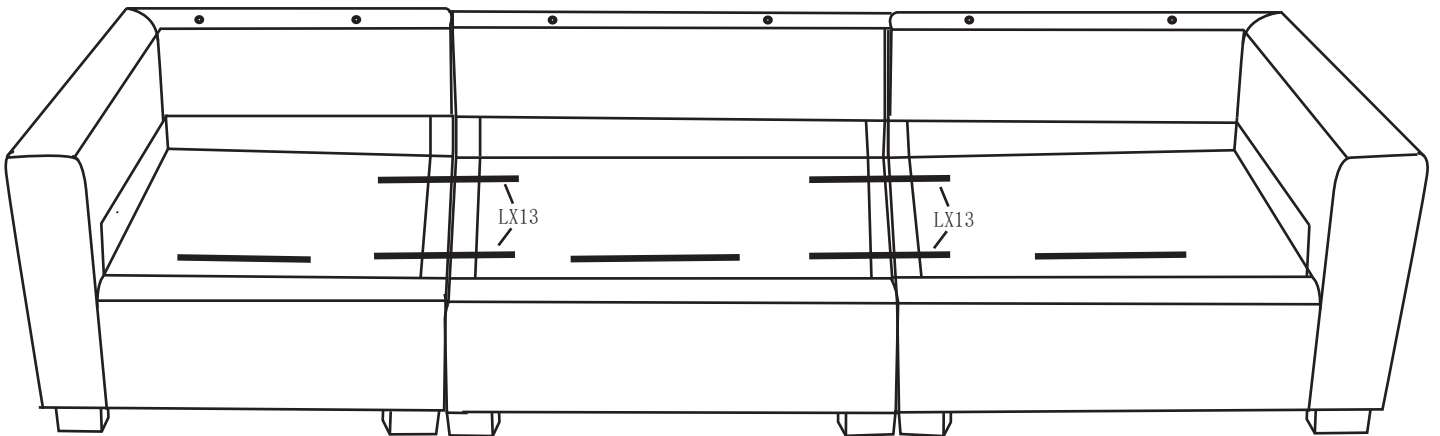
STEP 7



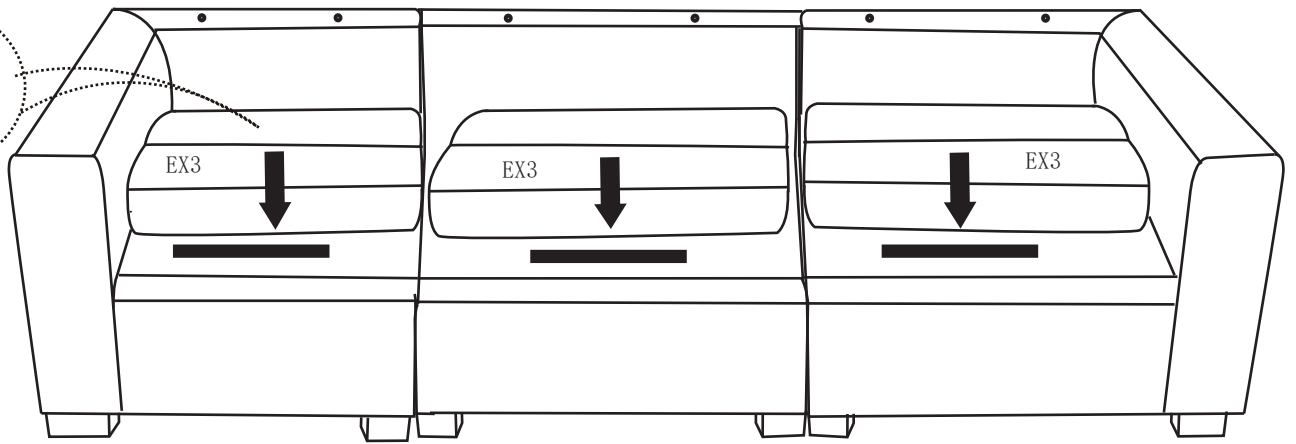
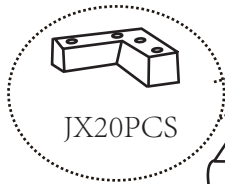
STEP 8



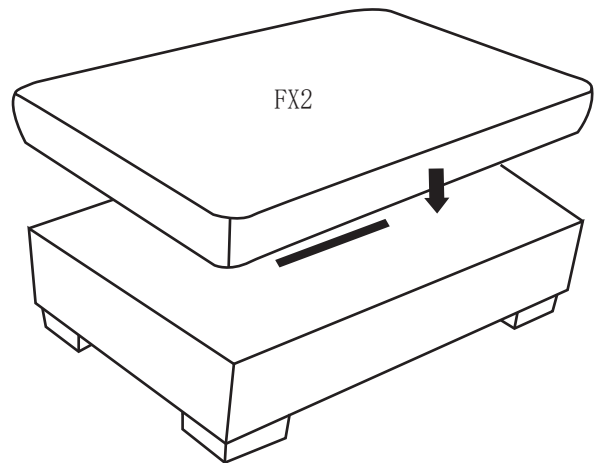
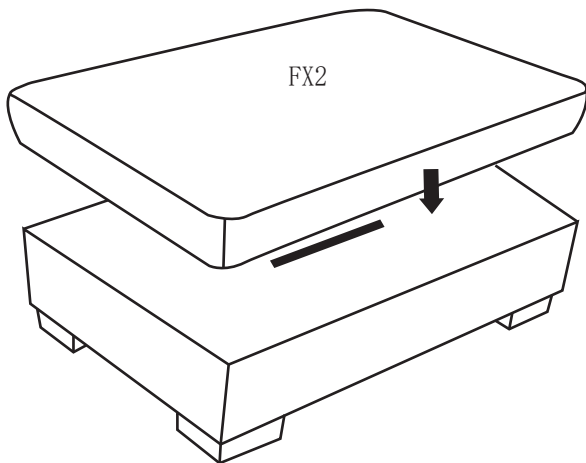
STEP 9



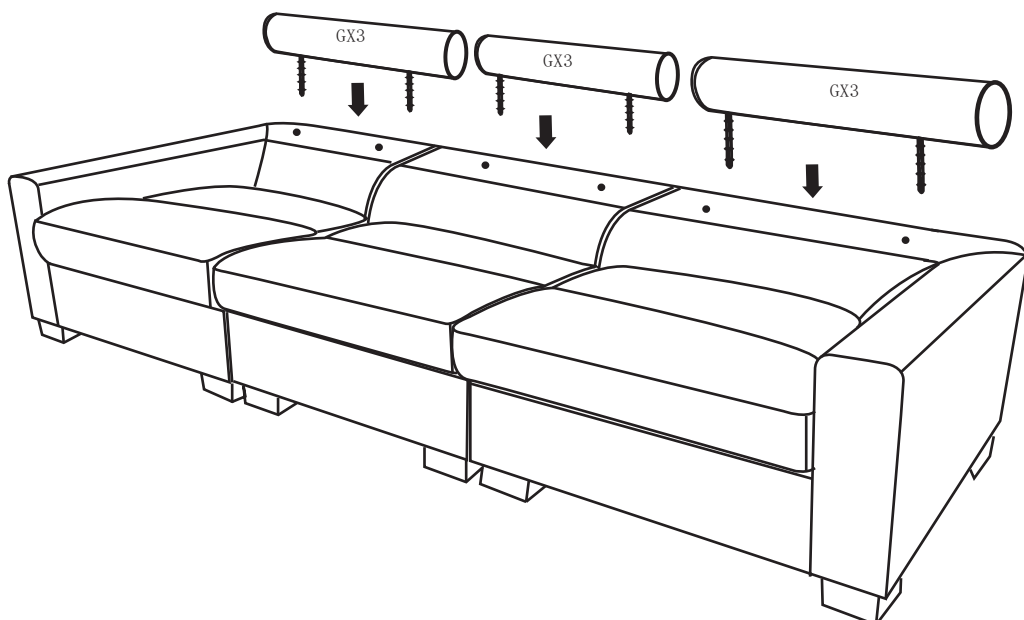
STEP 10



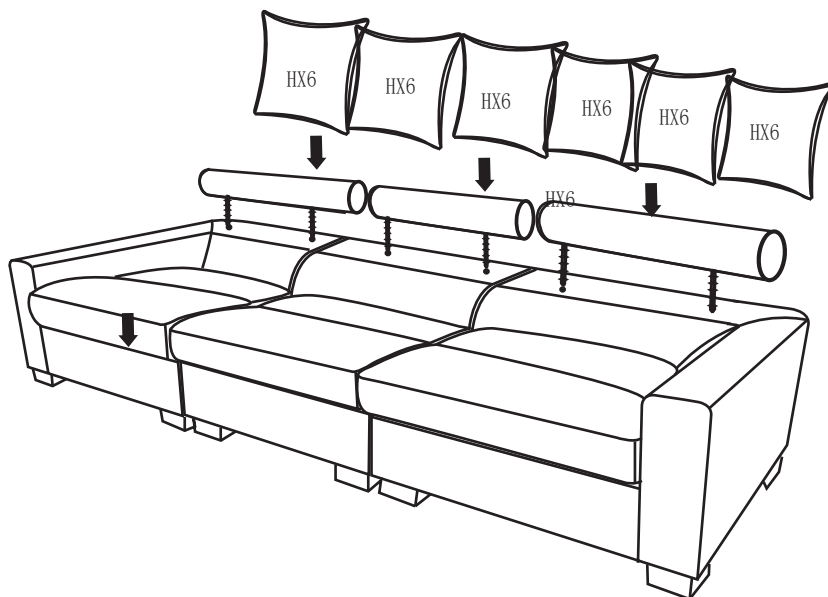
STEP 11



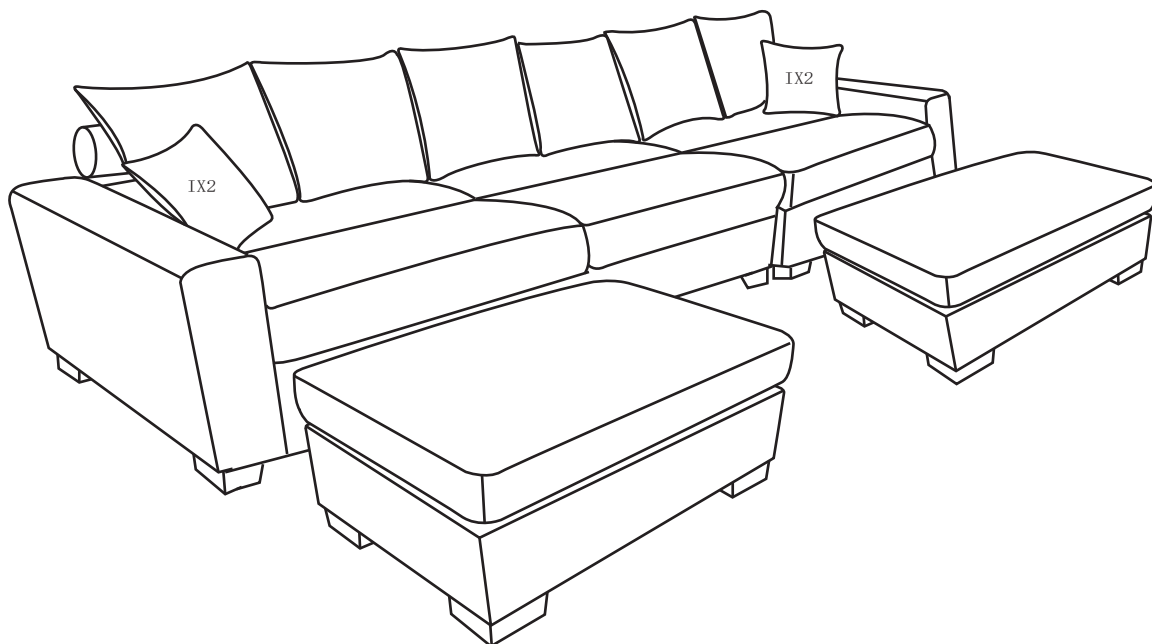
STEP 12



STEP 13



STEP 14



STEP 15

