

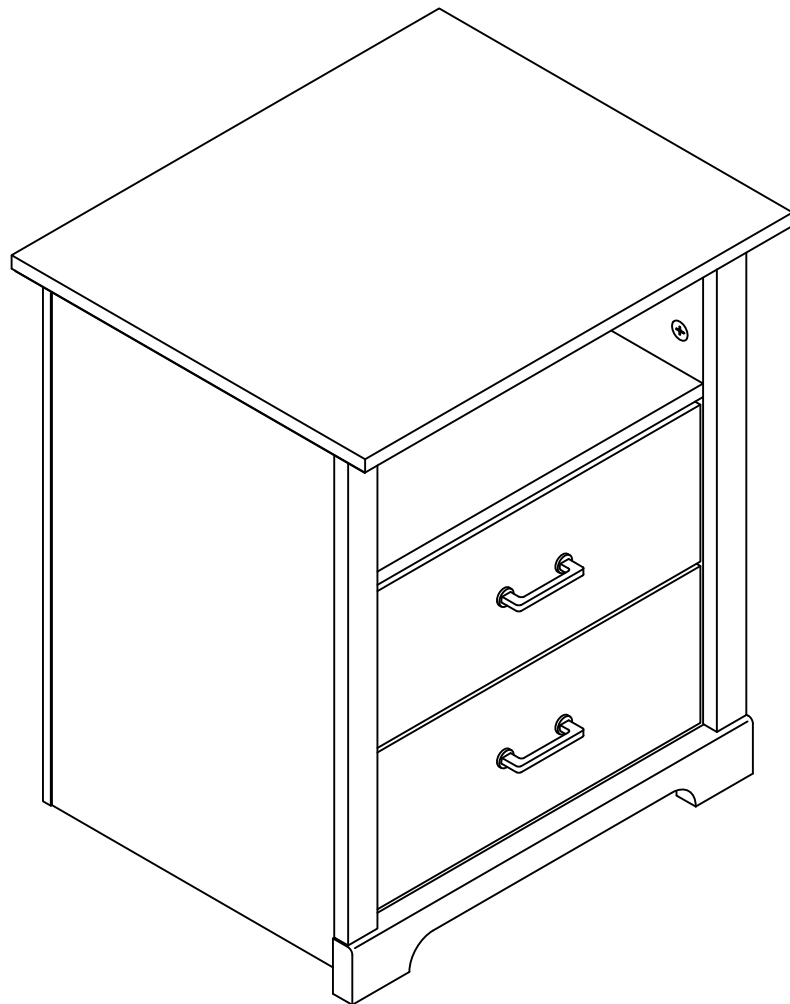
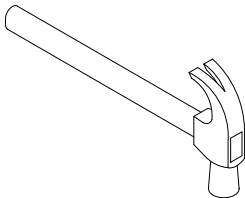
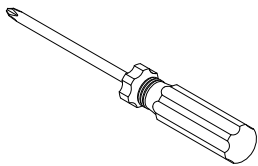
Assembly Instruction

Item No : 58905NS / 58906NS

Description: Nightstand

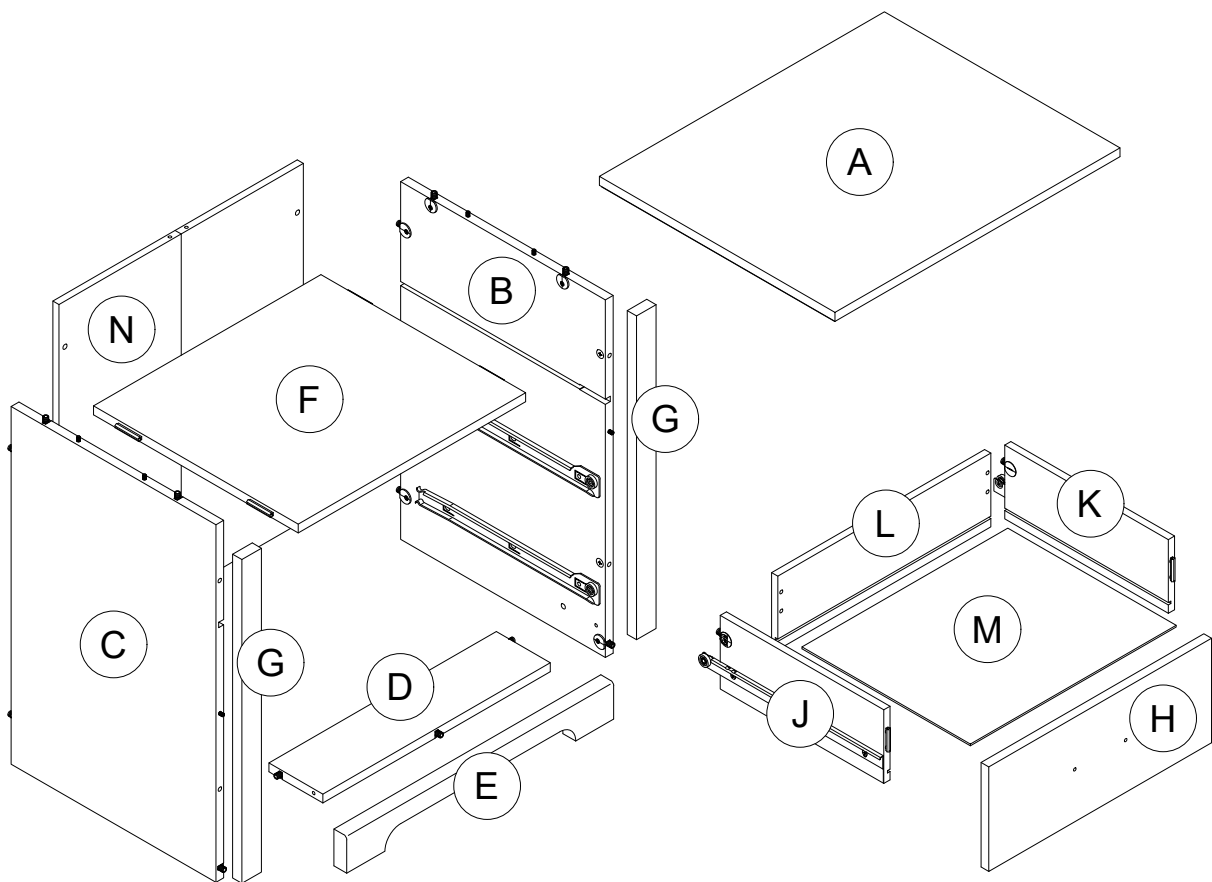
LILOLA
L I V I N G

TOOL REQUIRED



PARTS LIST

A	TOP (1)	H	DRAWER FRONT (2)
B	RIGHT END (1)	J	LEFT DRAWER SIDE (2)
C	LEFT END (1)	K	RIGHT DRAWER SIDE (2)
D	BRACE (1)	L	DRAWER BACK (2)
E	SKIRT (1)	M	DRAWER BOTTOM (2)
F	SHELF (1)	N	BACK (1)
G	FRONT MOLDING (2)		

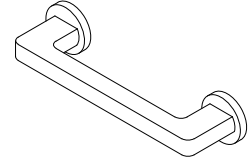
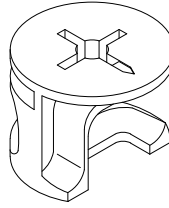
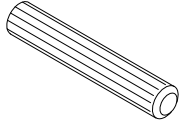


USEFUL HINTS BEFORE YOU START:

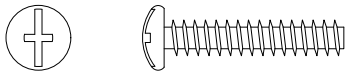
1. Read each step carefully before starting.
2. It is important that each step is performed in correct order to avoid difficulties.
3. Identify, sort and count the parts before assembly.
4. Assemble your furniture on packaging cardboard to prevent scratch or damage.
5. Clean the product with mild cleanser using soft damp cloth. Do not use harsh or abrasive cleanser.
6. Using incompatible hardware might cause damage to product.

HARDWARE LIST

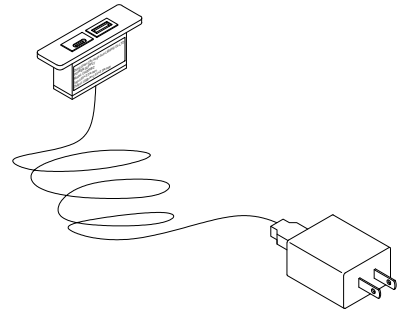
- ① PLASTIC DOWEL - 2 ② HIDDEN CAM - 4 ③ PULL - 2



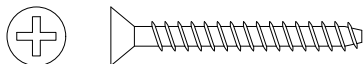
- ④ 1" MACHINE SCREW - 4



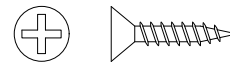
- ⑤ USB CHARGING - 1



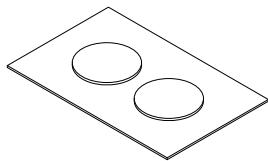
- ⑥ 1-1/4" FLAT HEAD RATTAN SCREW - 4



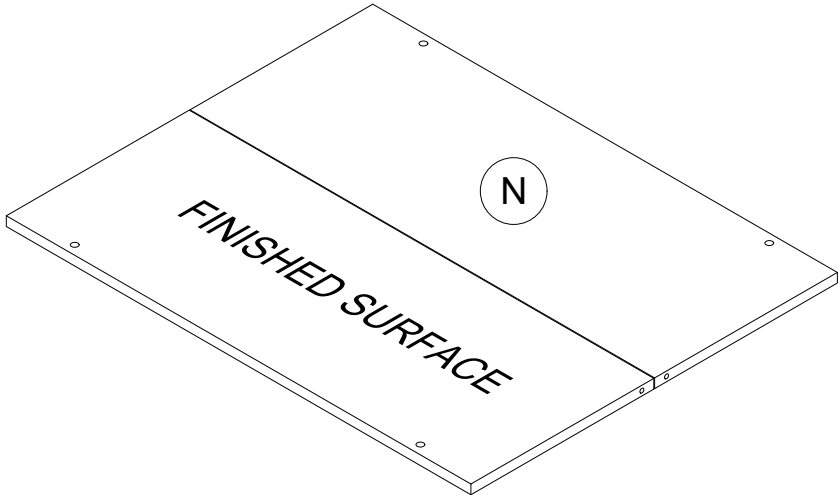
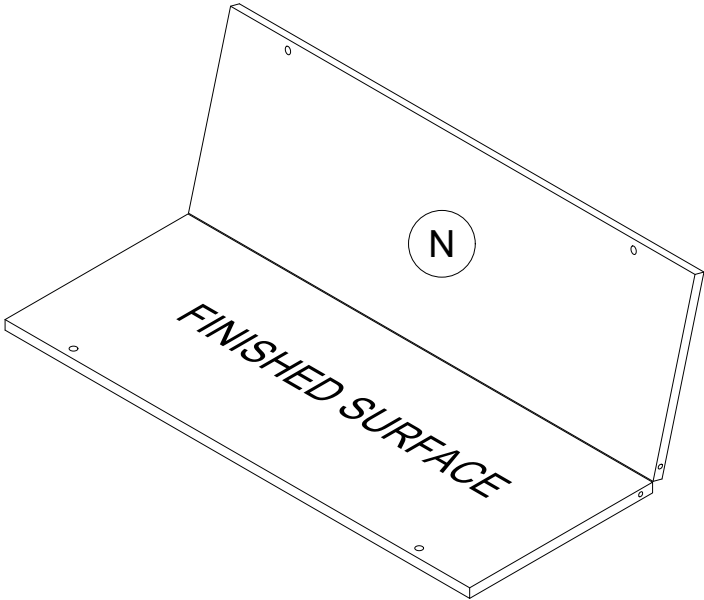
- ⑦ 3/4" FLAT HEAD SCREW - 2



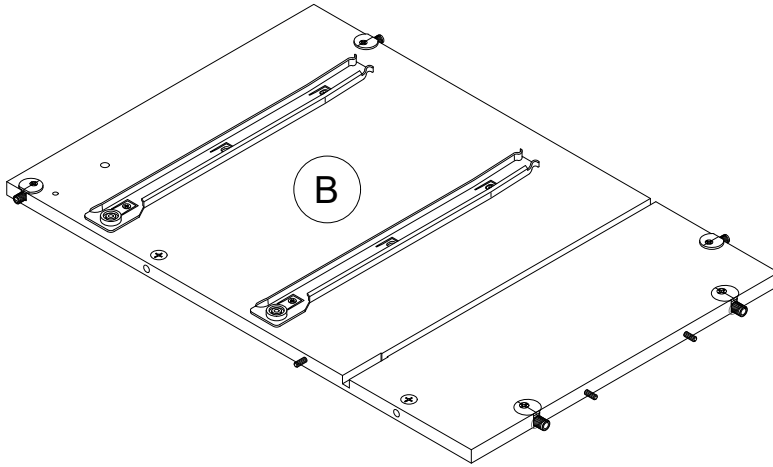
- ⑧ STICKER - 2



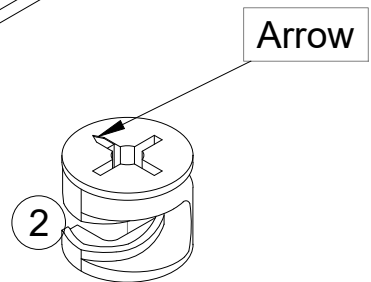
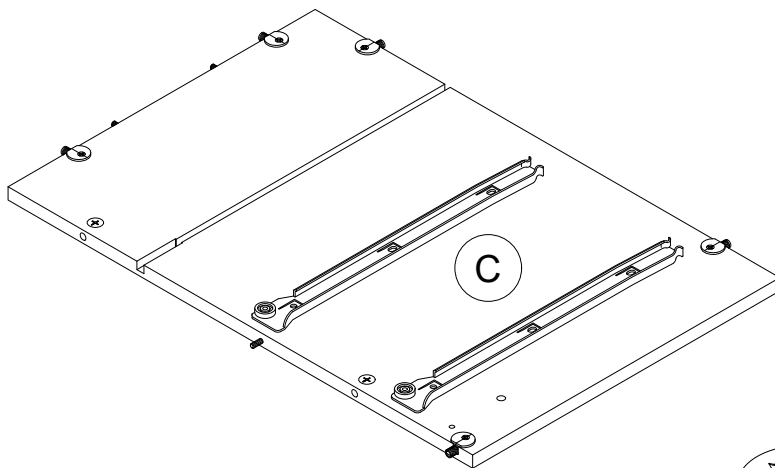
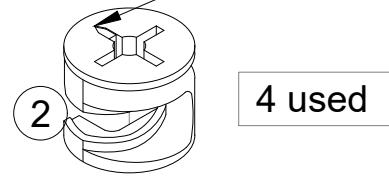
Step 1



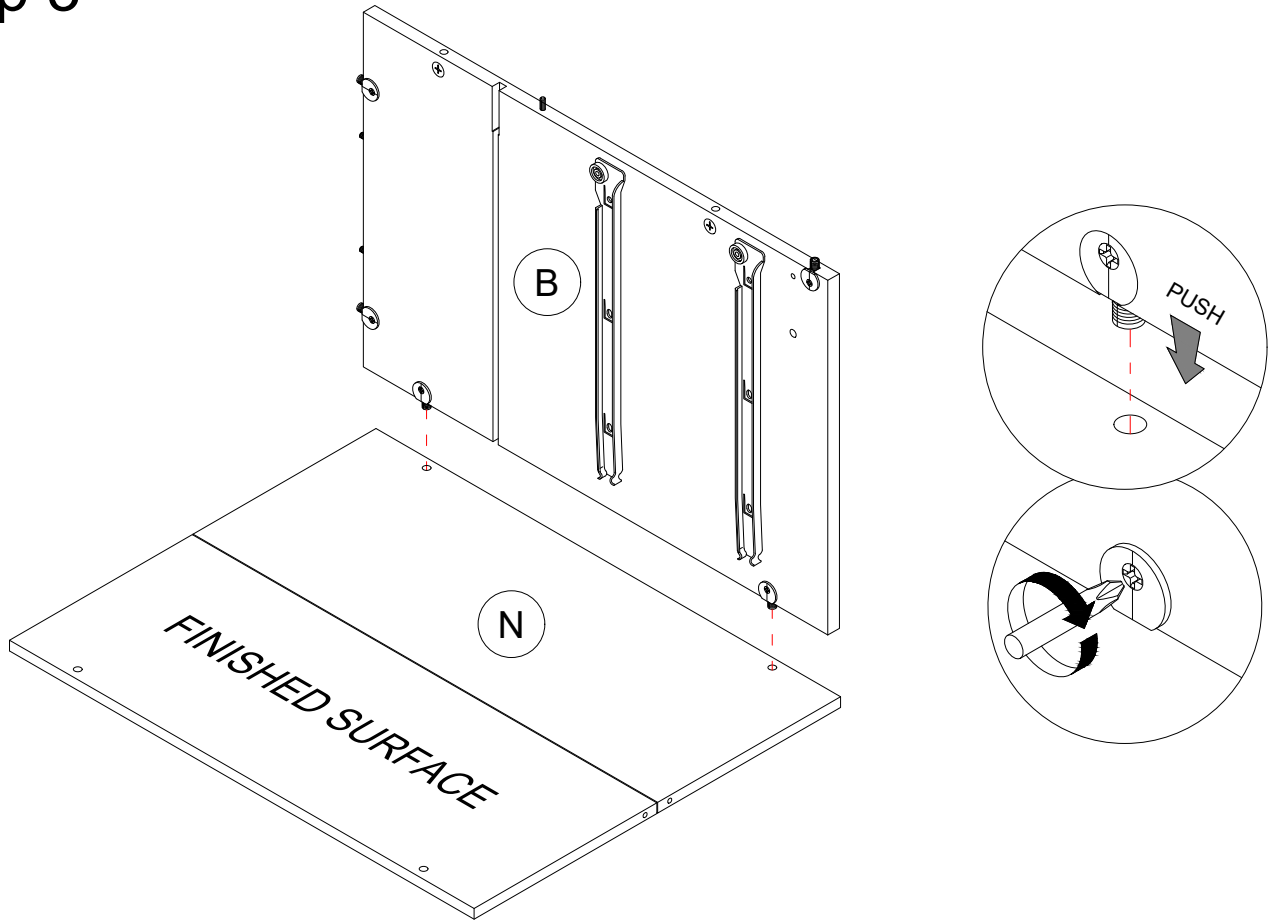
Step 2



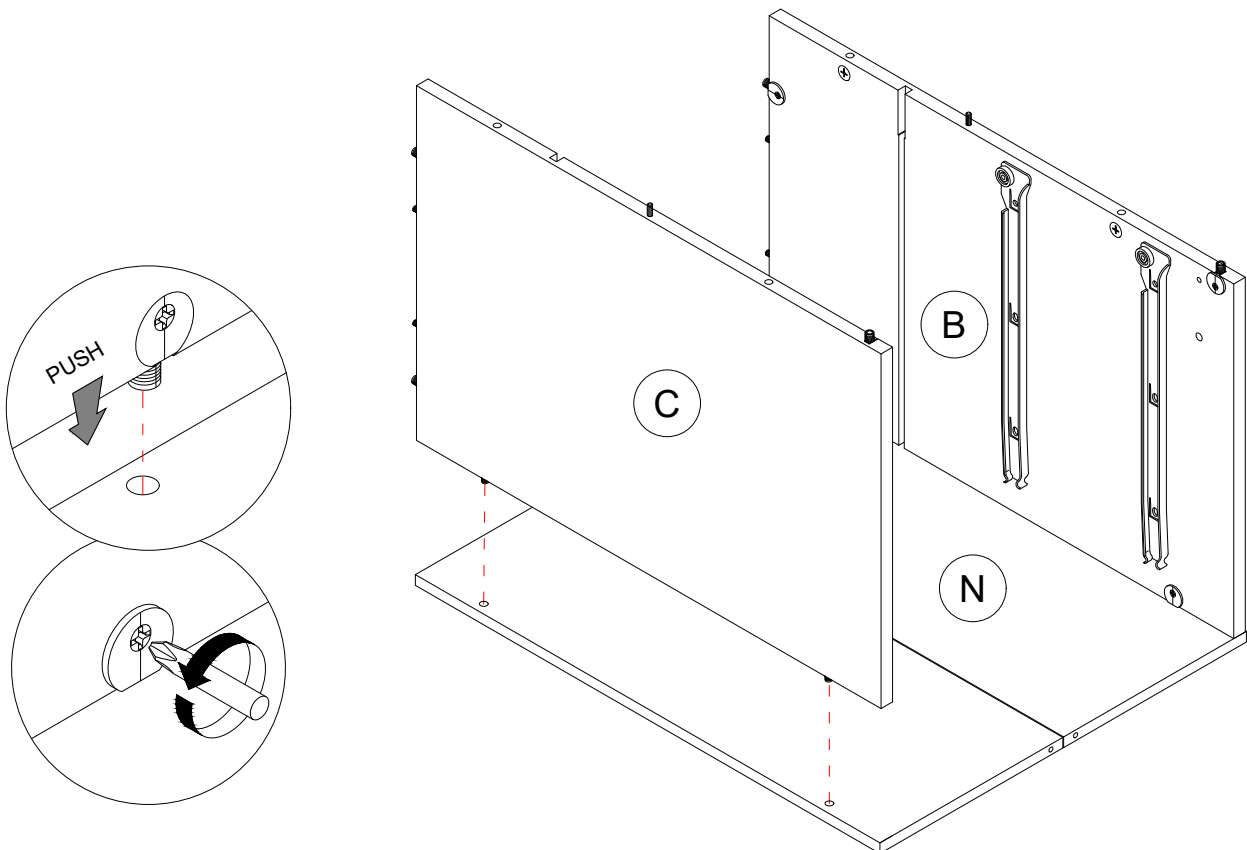
The arrow in the HIDDEN CAM must point toward the hole in the edge of the board.



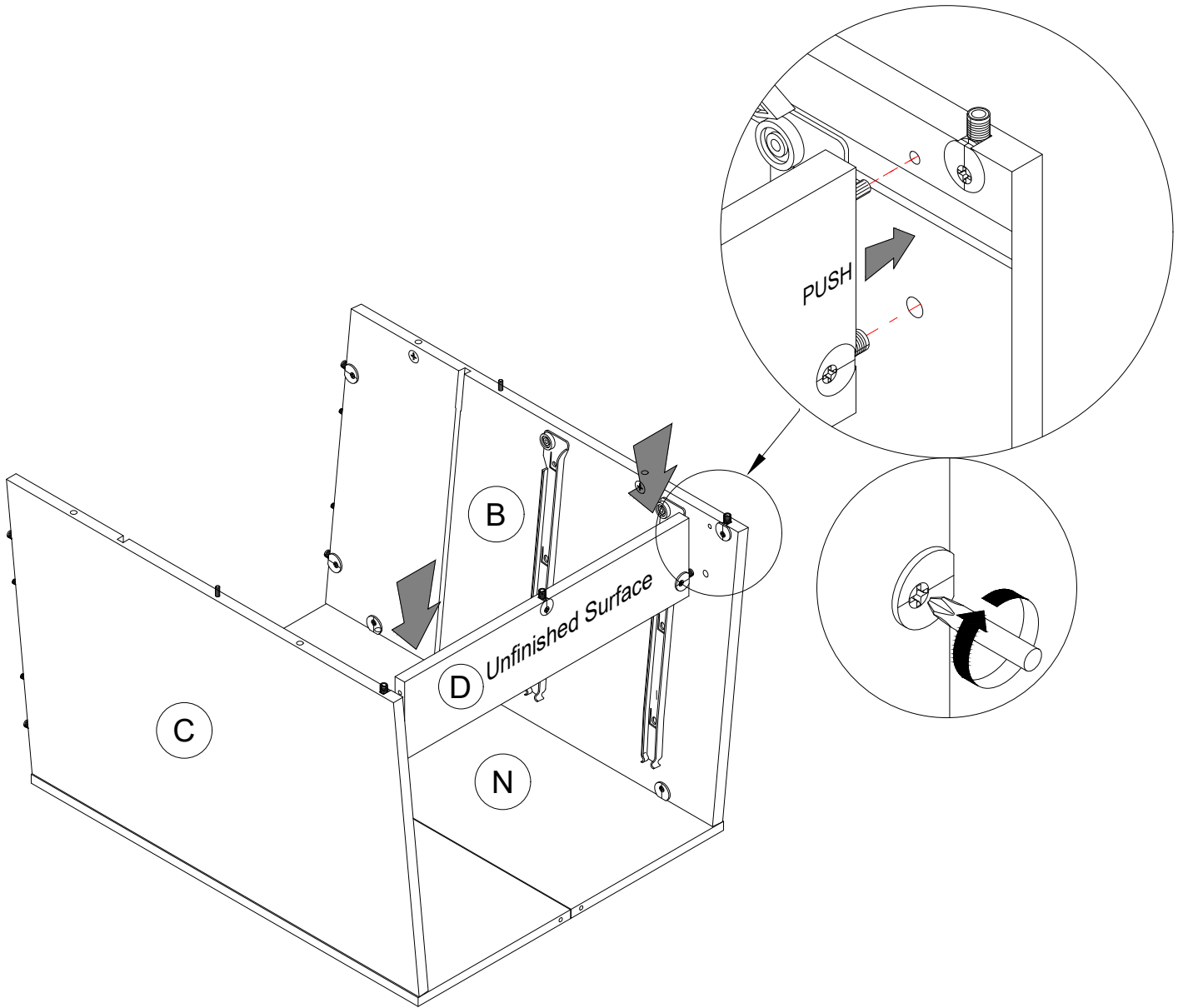
Step 3



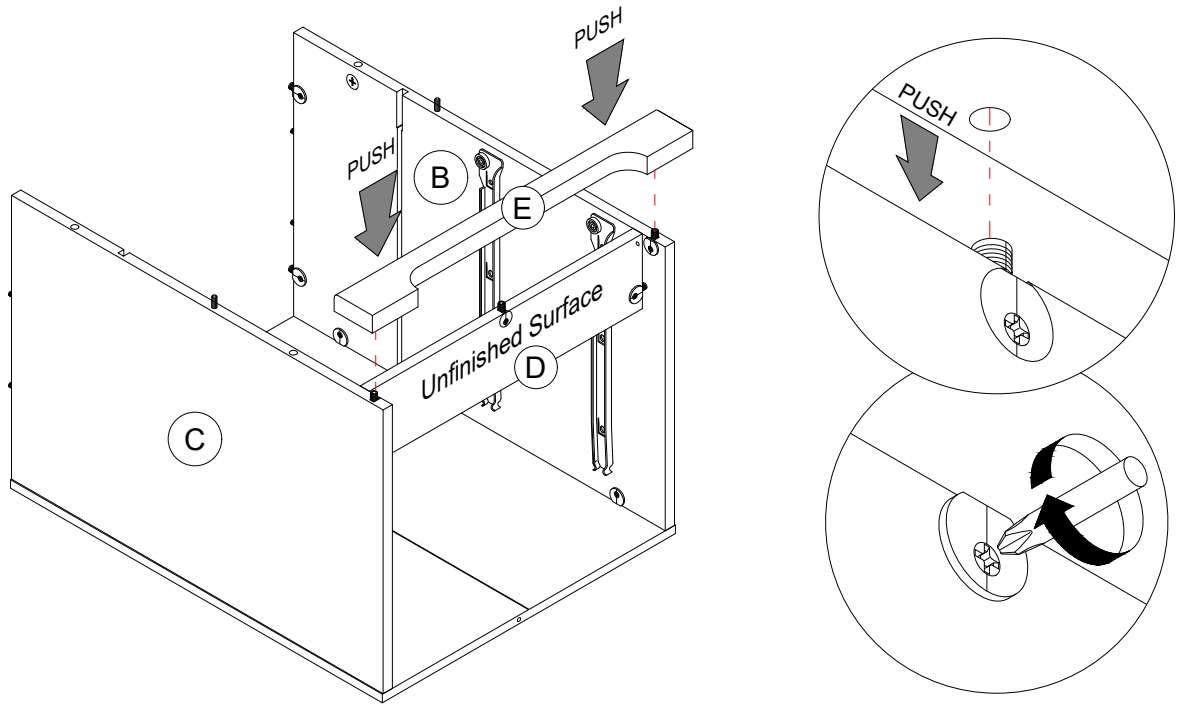
Step 4



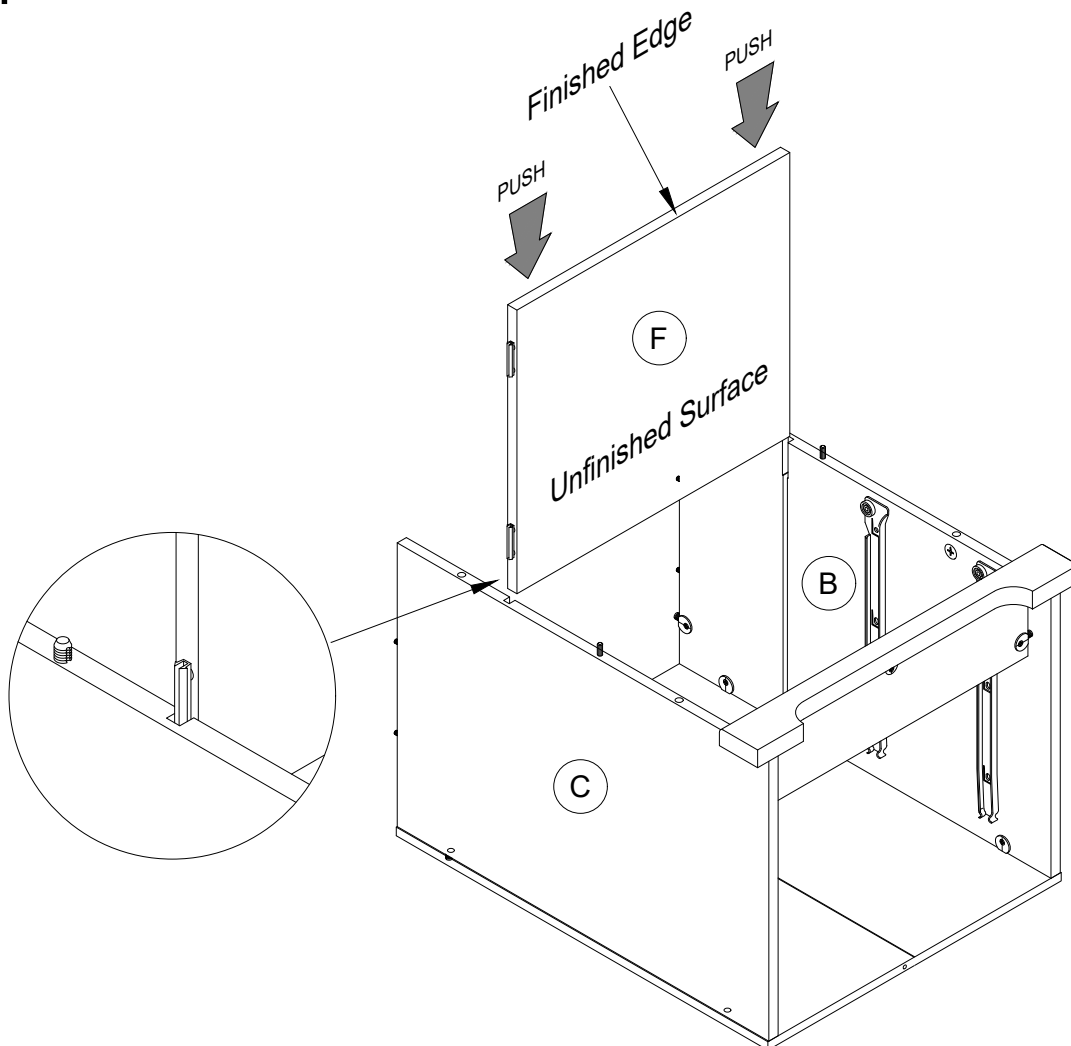
Step 5



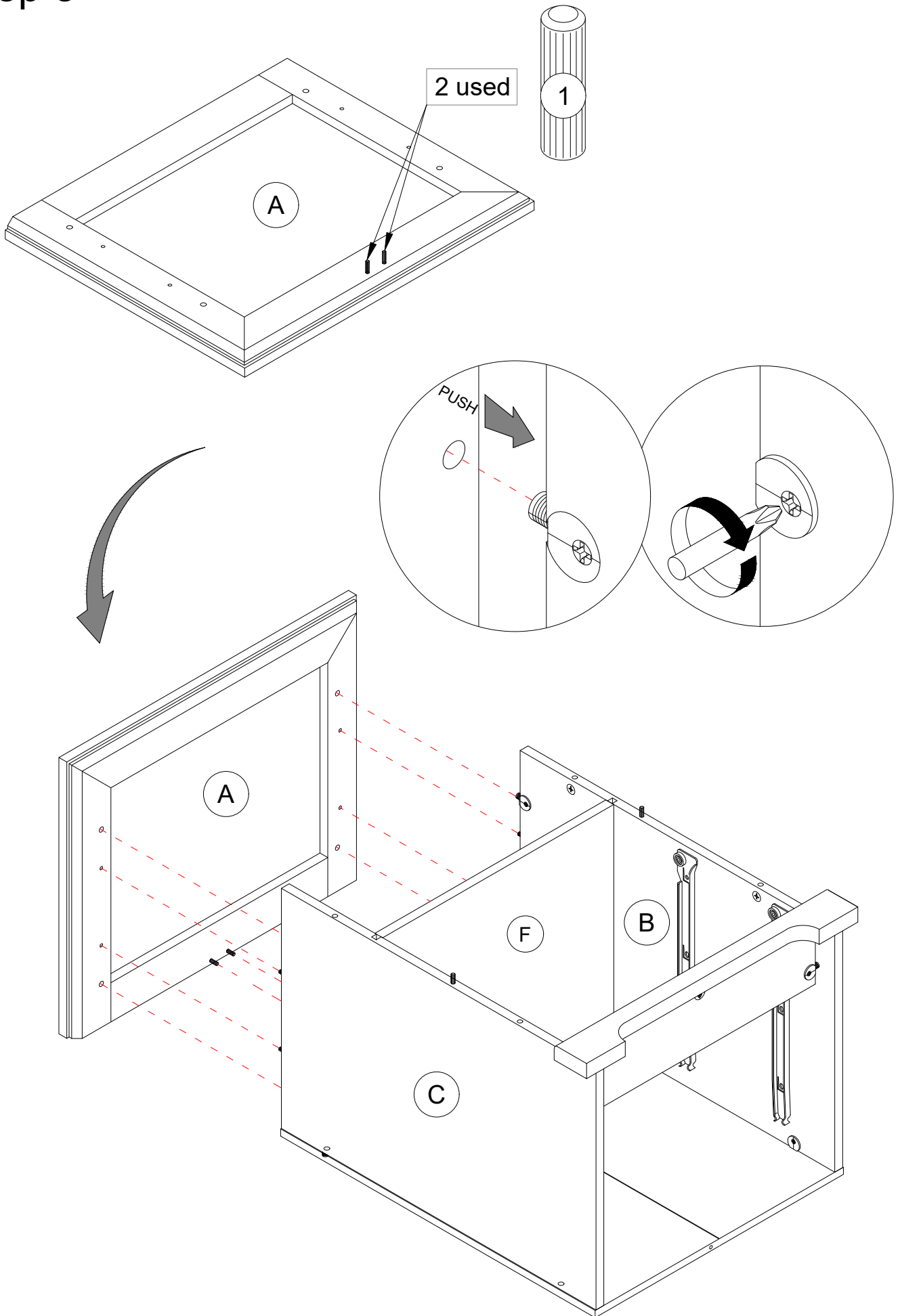
Step 6



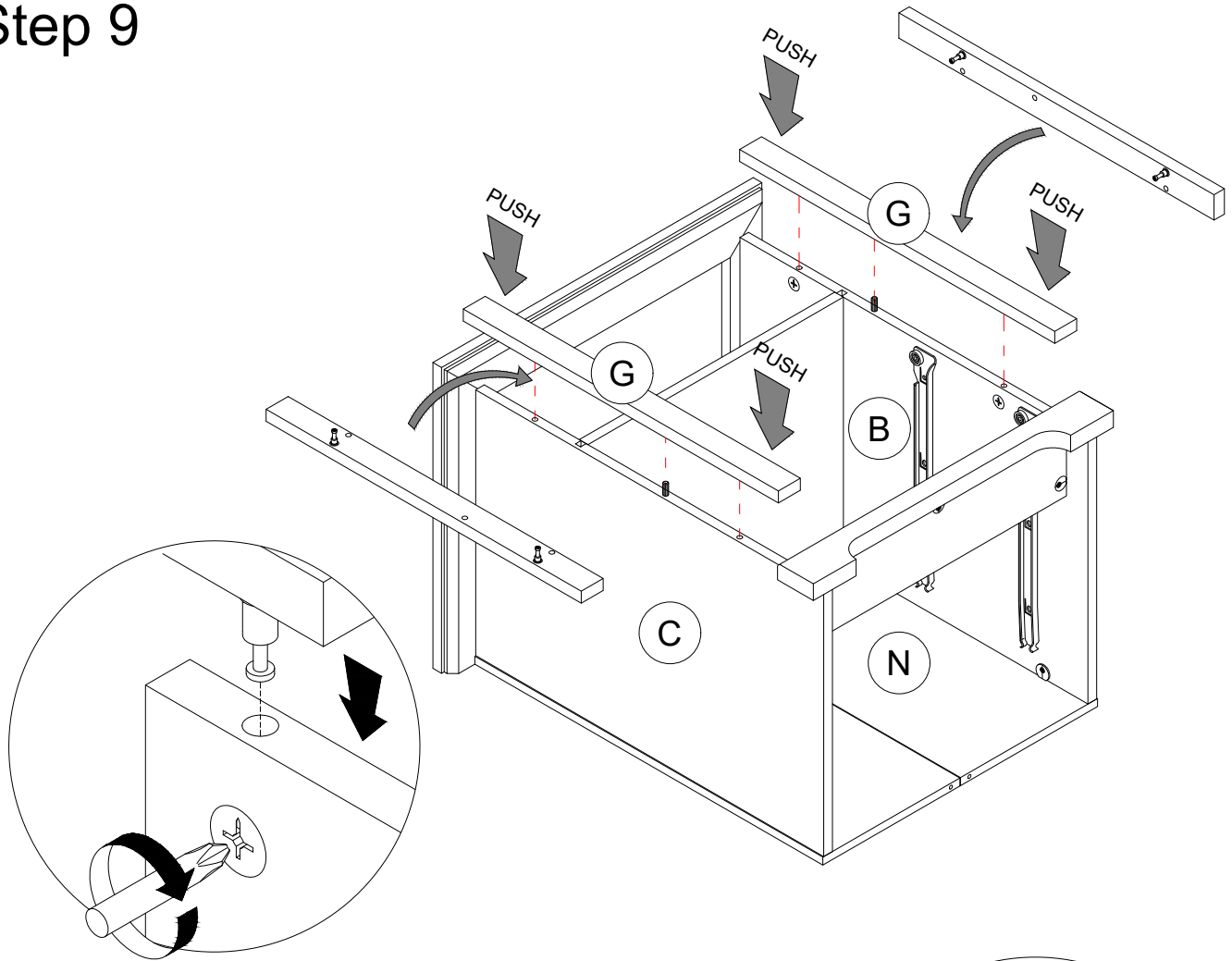
Step 7



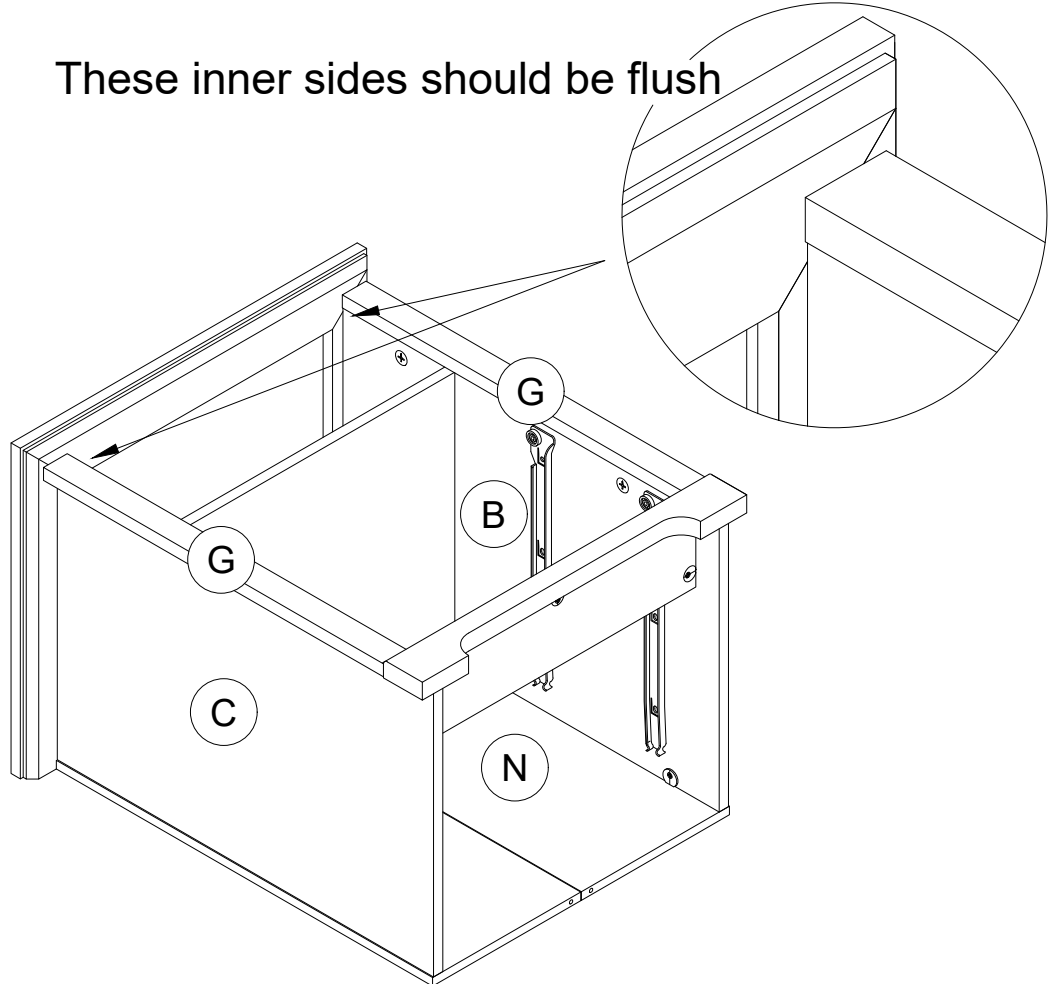
Step 8



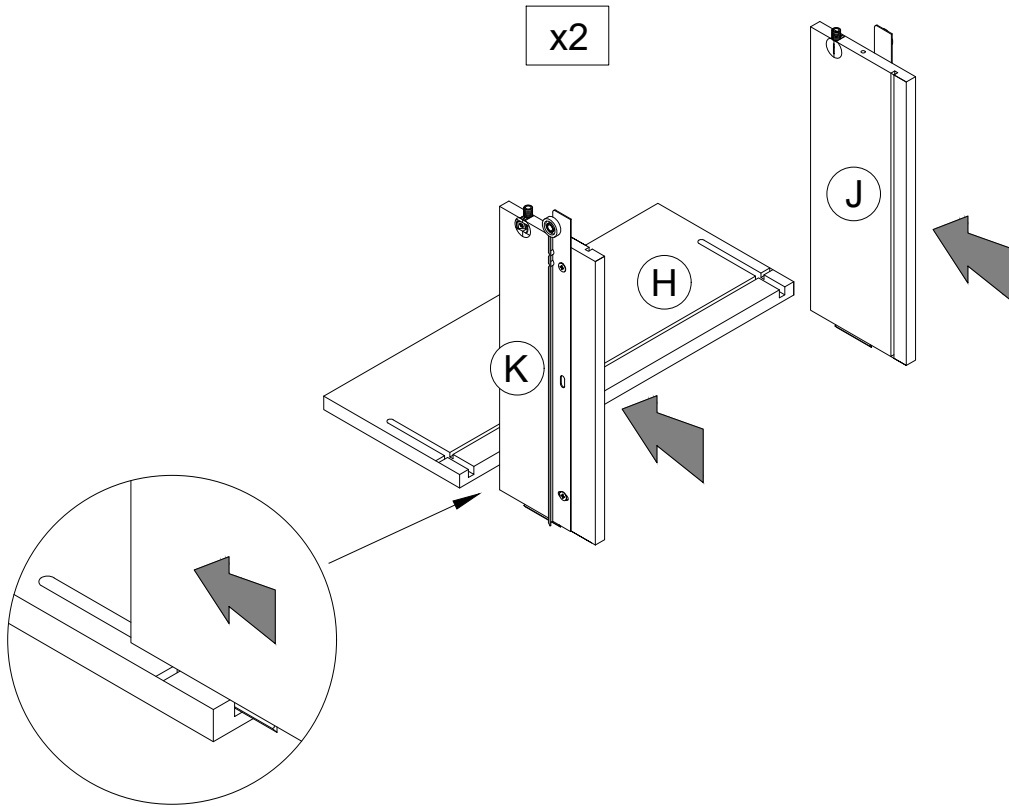
Step 9



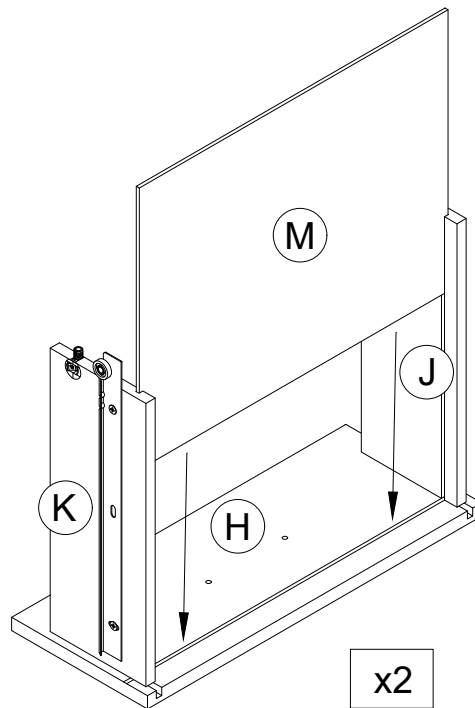
These inner sides should be flush



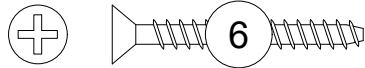
Step 10



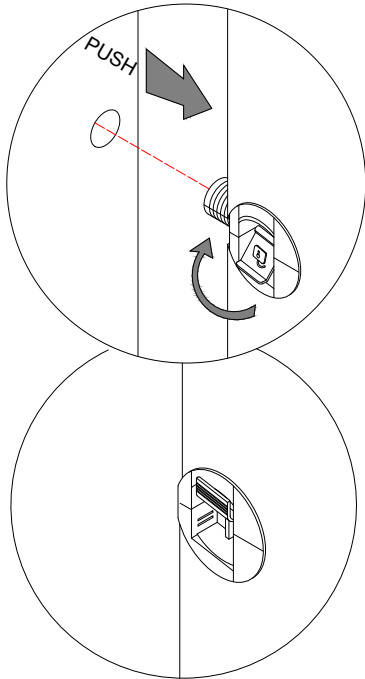
Step 11



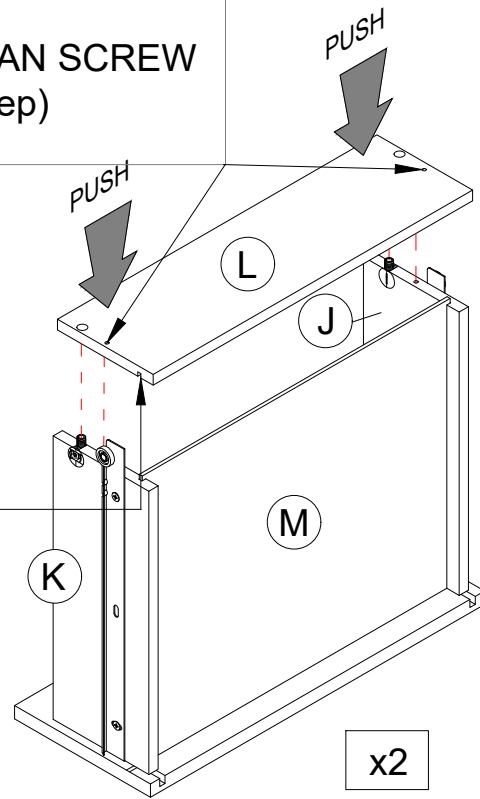
Step 12



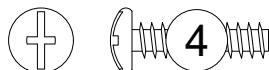
1-1/4" FLAT HEAD RATTAN SCREW
(4 used in this step)



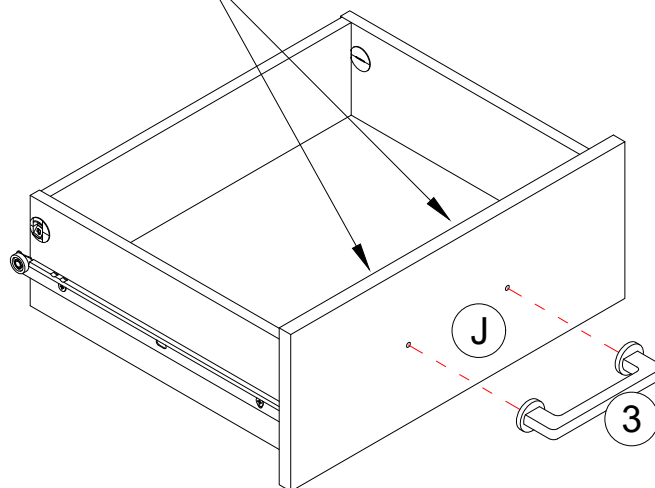
Be sure the
DRAWER
BOTTOM
inserts into
the DRAWER
BACK groove.



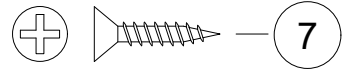
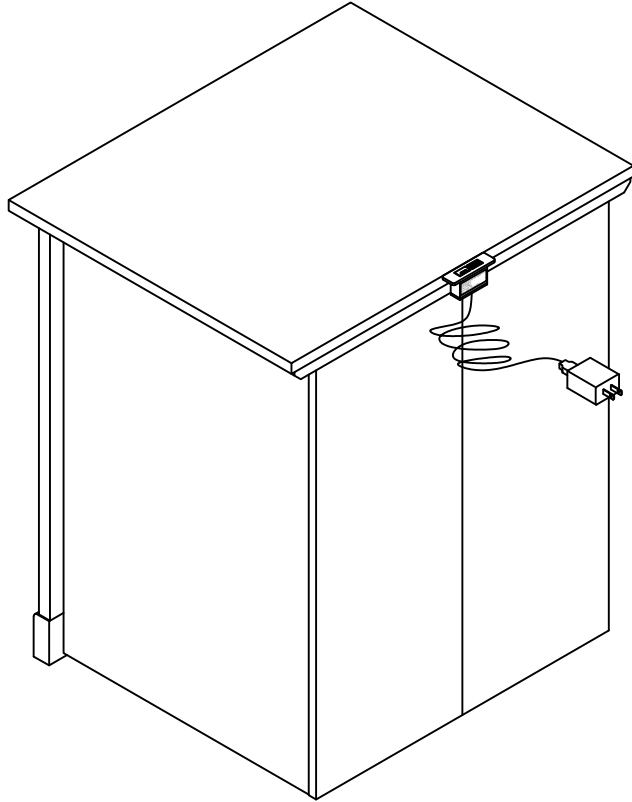
Step 13



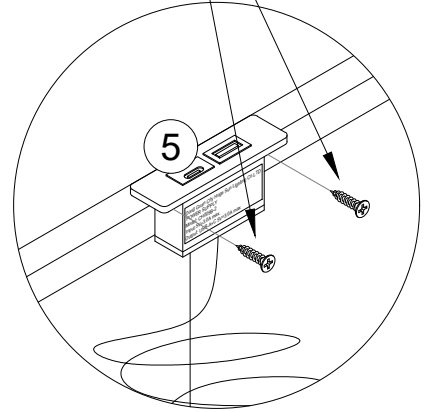
1" MACHINE SCREW
(4 used for the PULL)



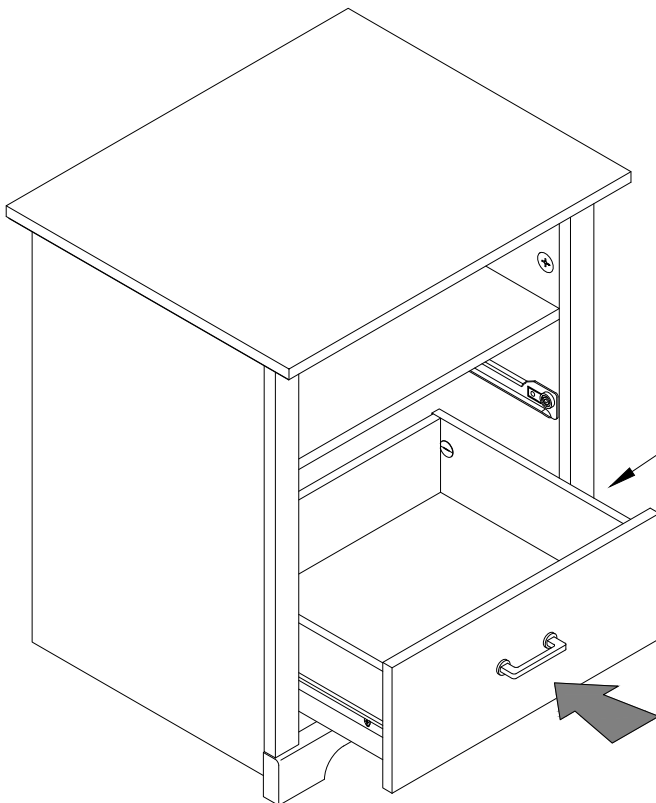
Step 14



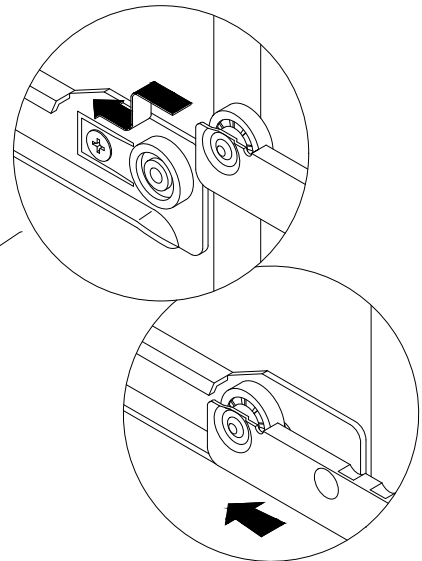
3/4" FLAT HEAD SCREW
(2 used in this step)



Step 15



Place the roller on the SLIDE
behind the roller on the rail.



Step 16

