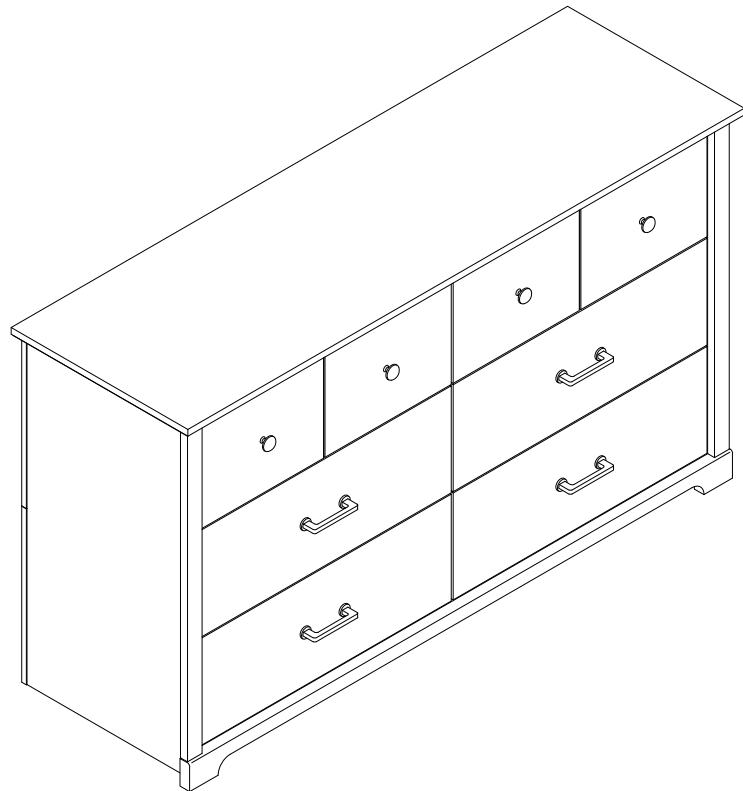
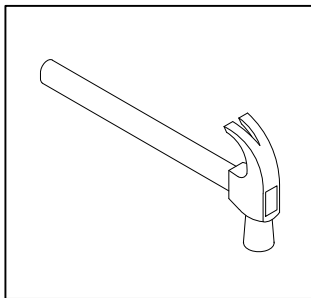
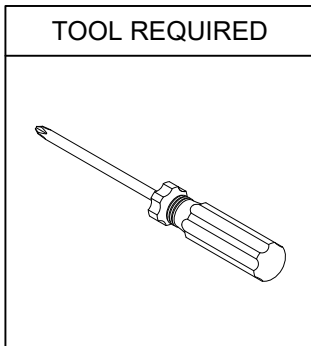


# Assembly Instruction

Item No : 58905DR / 58906DR

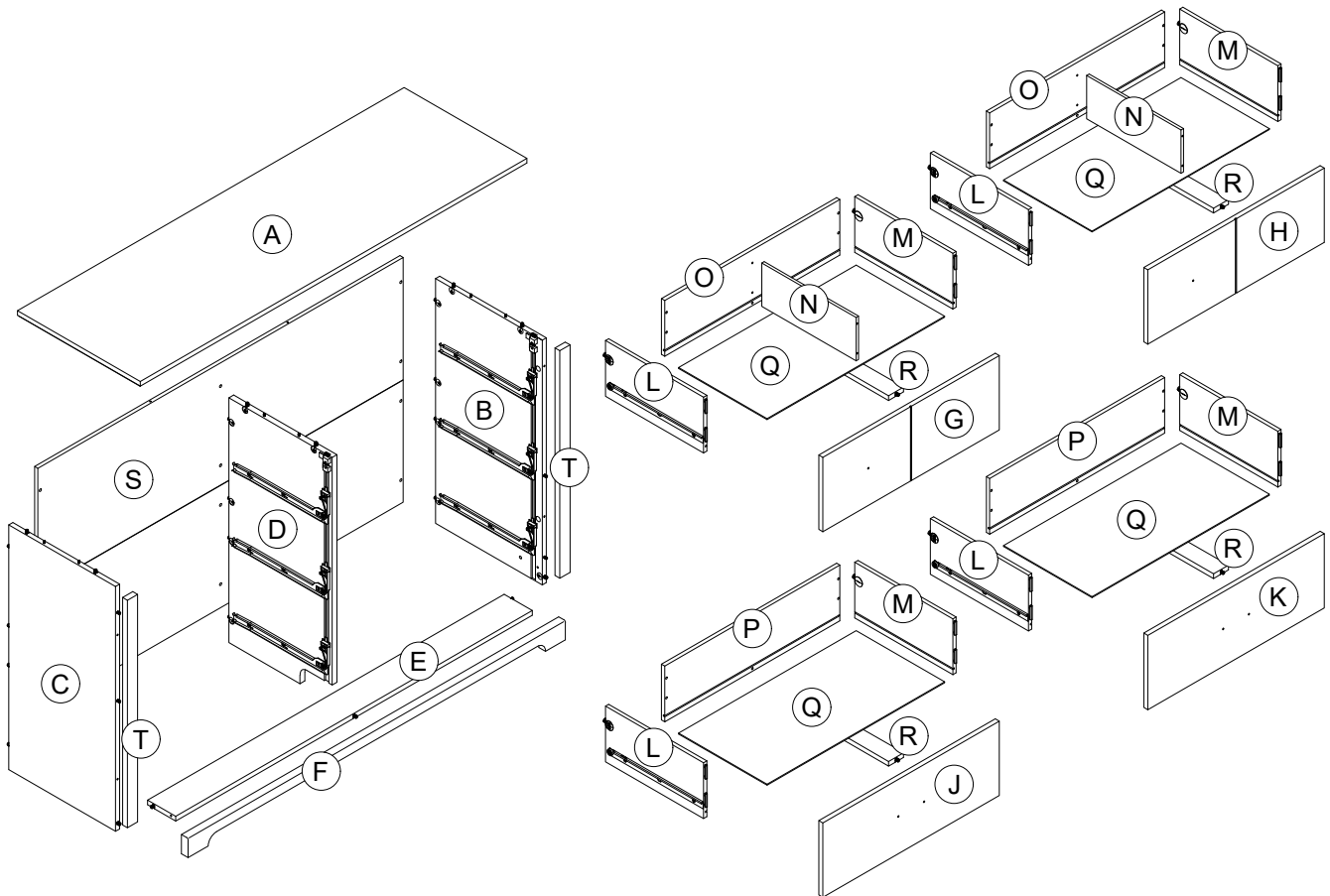
Description: 6 Drawer Dresser



# PARTS LIST

A	TOP (1)
B	RIGHT END (1)
C	LEFT END (1)
D	UPRIGHT (1)
E	BRACE (1)
F	SKIRT (1)
G	TOP LEFT DRAWER FRONT (1)
H	TOP RIGHT DRAWER FRONT (1)
J	LOWER LEFT DRAWER FRONT (2)
K	LOWER RIGHT DRAWER FRONT (2)

L	LEFT DRAWER SIDE (6)
M	RIGHT DRAWER SIDE (6)
N	DRAWER DIVIDER (2)
O	TOP DRAWER BACK (2)
P	LOWER DRAWER BACK (4)
Q	DRAWER BOTTOM (6)
R	DRAWER BRACE (6)
S	BACK (1)
T	FRONT MOULDING (2)

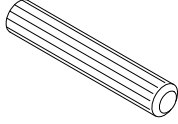


## USEFUL HINTS BEFORE YOU START:

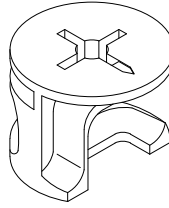
1. Read each step carefully before starting.
2. It is important that each step is performed in correct order to avoid difficulties.
3. Identify, soft and count the parts before assembly.
4. Assemble your furniture on packaging cardboard to prevent scratch or damage.
5. Clean the product with mild cleanser using soft dampened cloth. Do not use harsh or abrasive cleanser.
6. Using incompatible hardware might cause damage to product.

# HARDWARE LIST

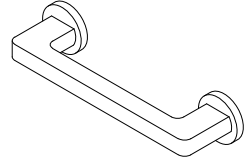
1 PLASTIC DOWEL - 2



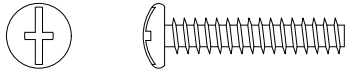
2 HIDDEN CAM - 4



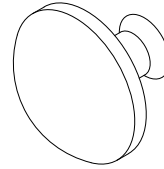
3 PULL - 4



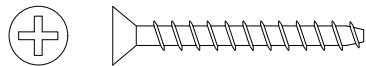
4 1" MACHINE SCREW - 12



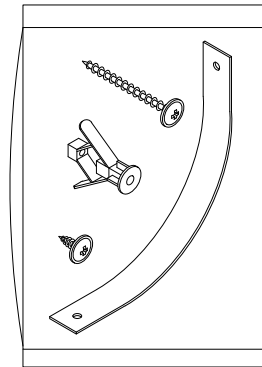
5 KNOB - 4



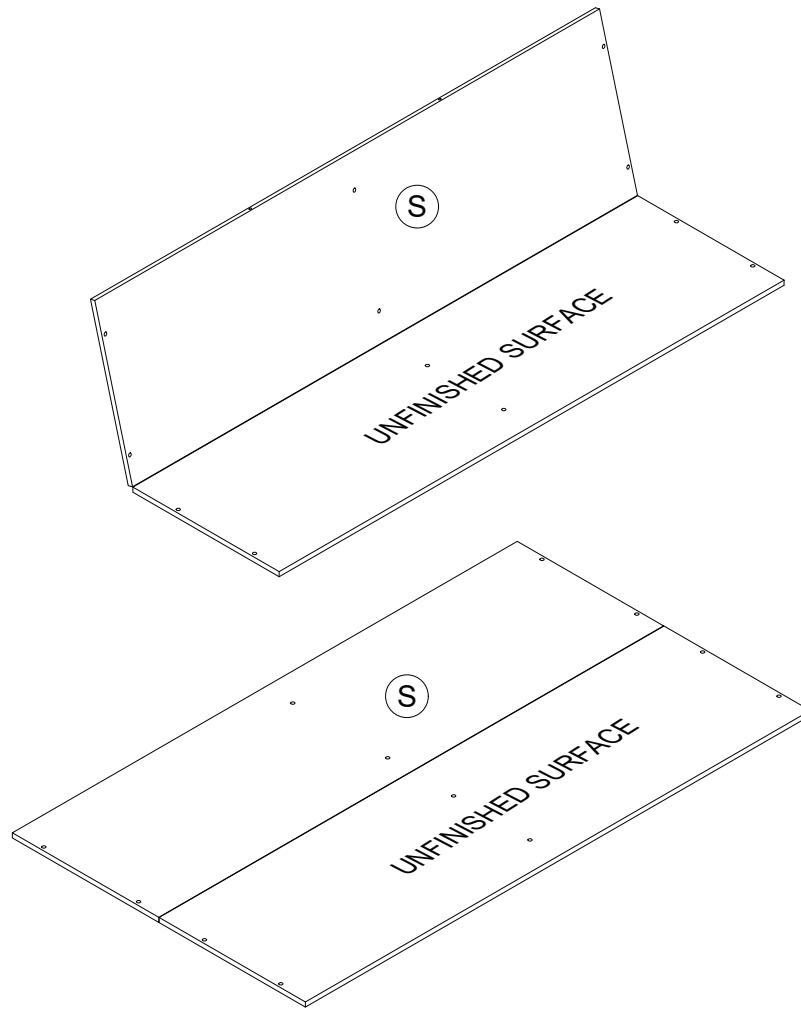
6 1-1/4" FLAT HEAD RATTAN SCREW - 12



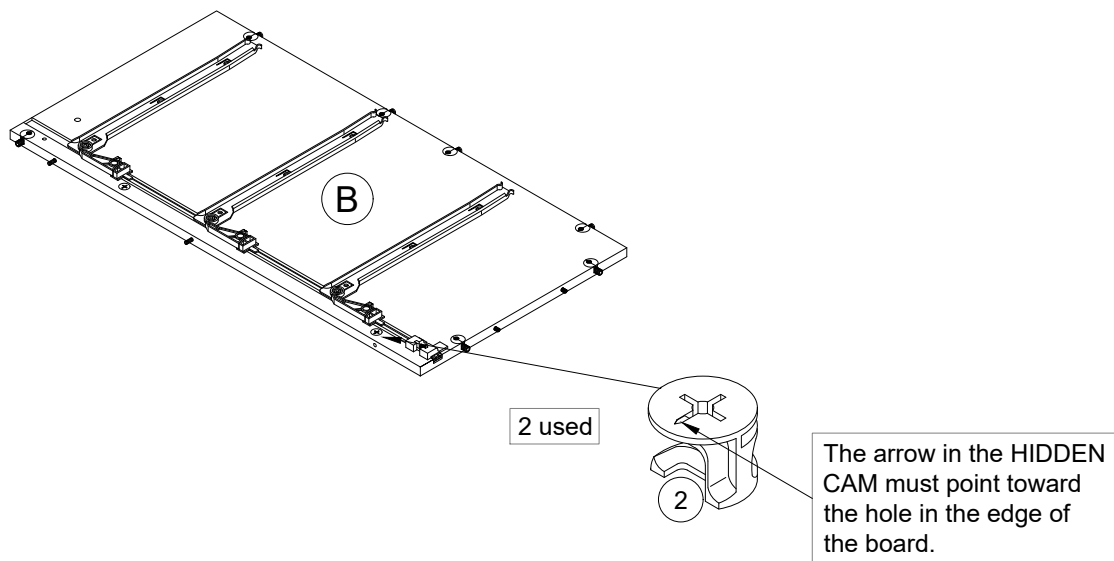
96 FURNITURE TIPPING RESTRAINT KIT - 1



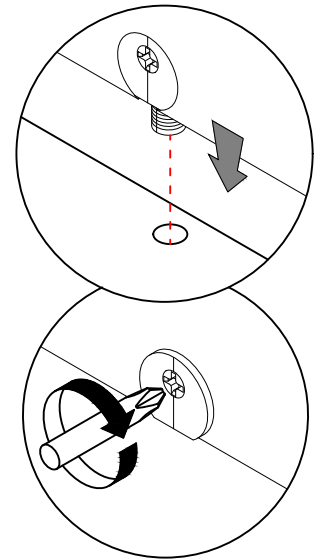
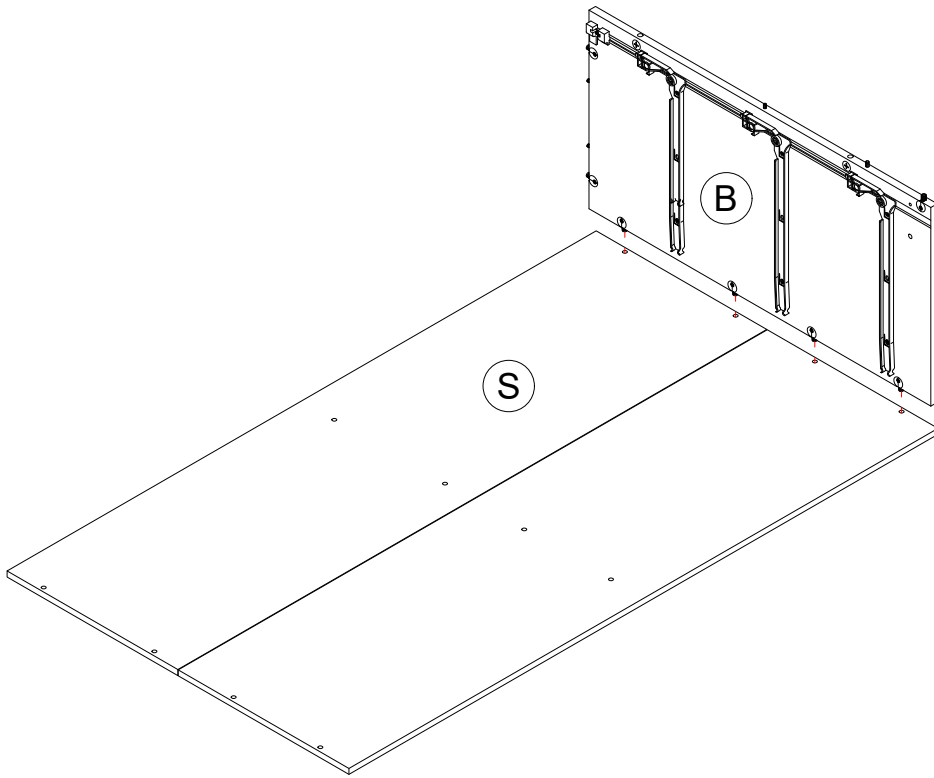
# Step 1



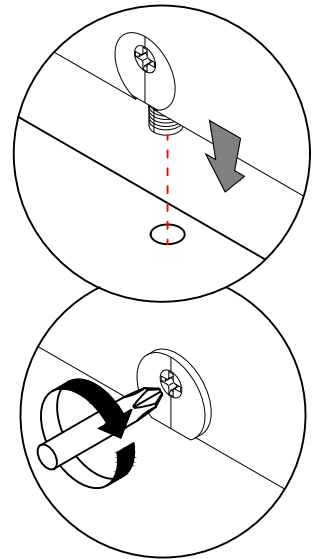
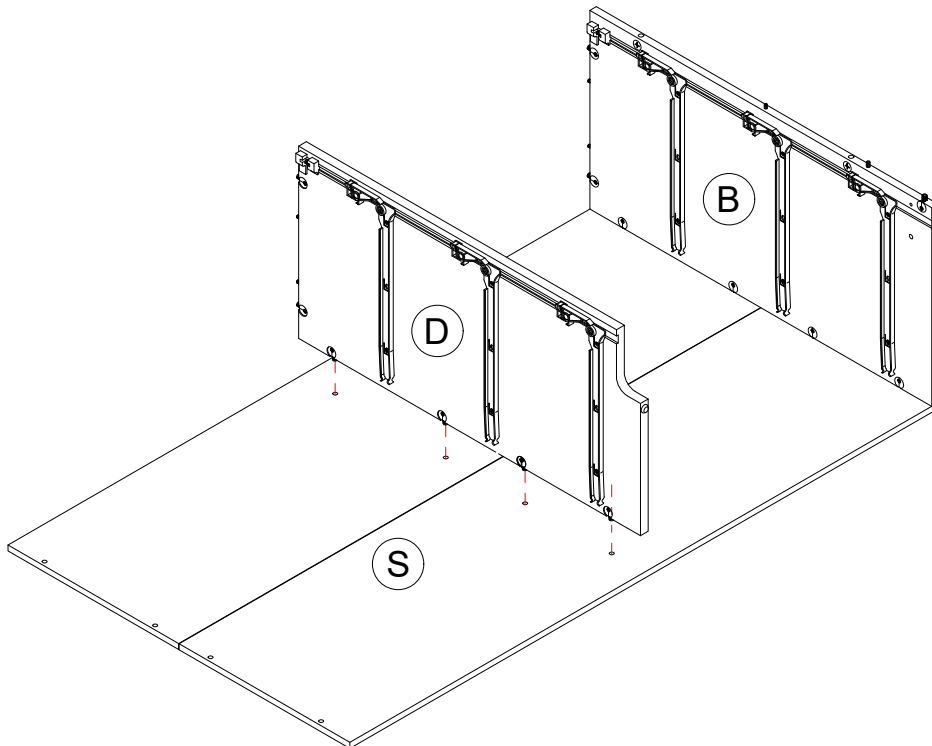
# Step 2



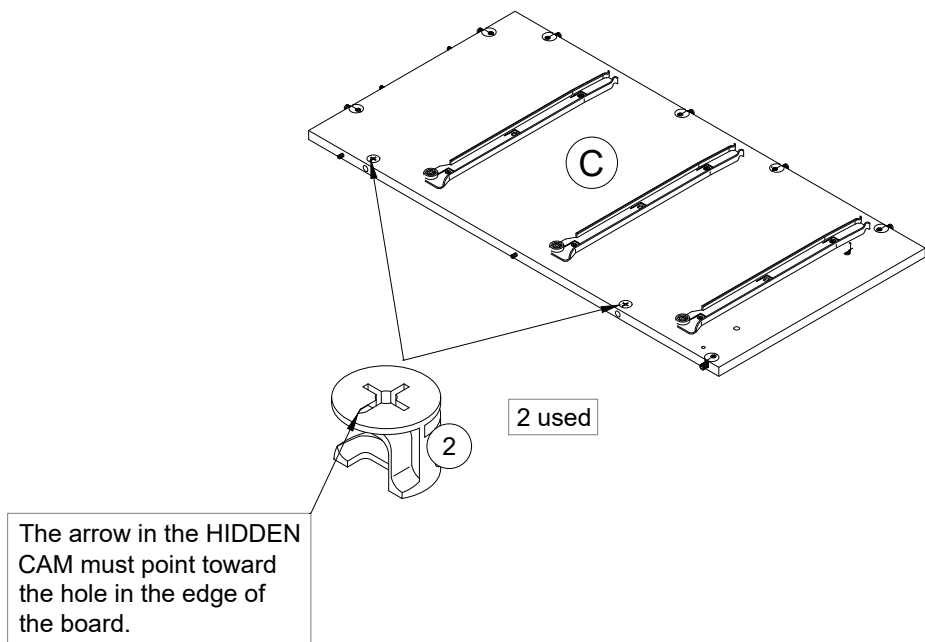
# Step 3



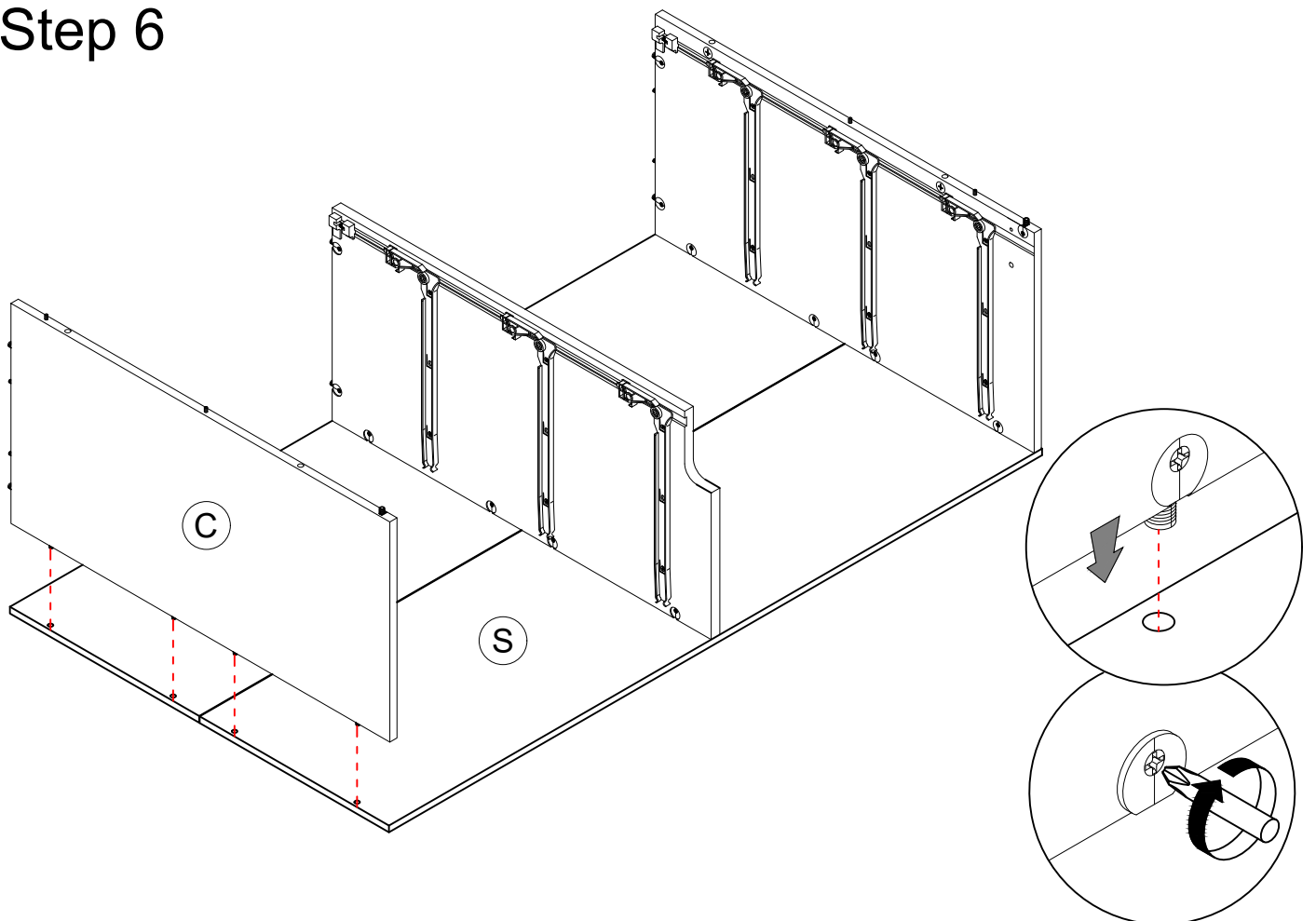
# Step 4



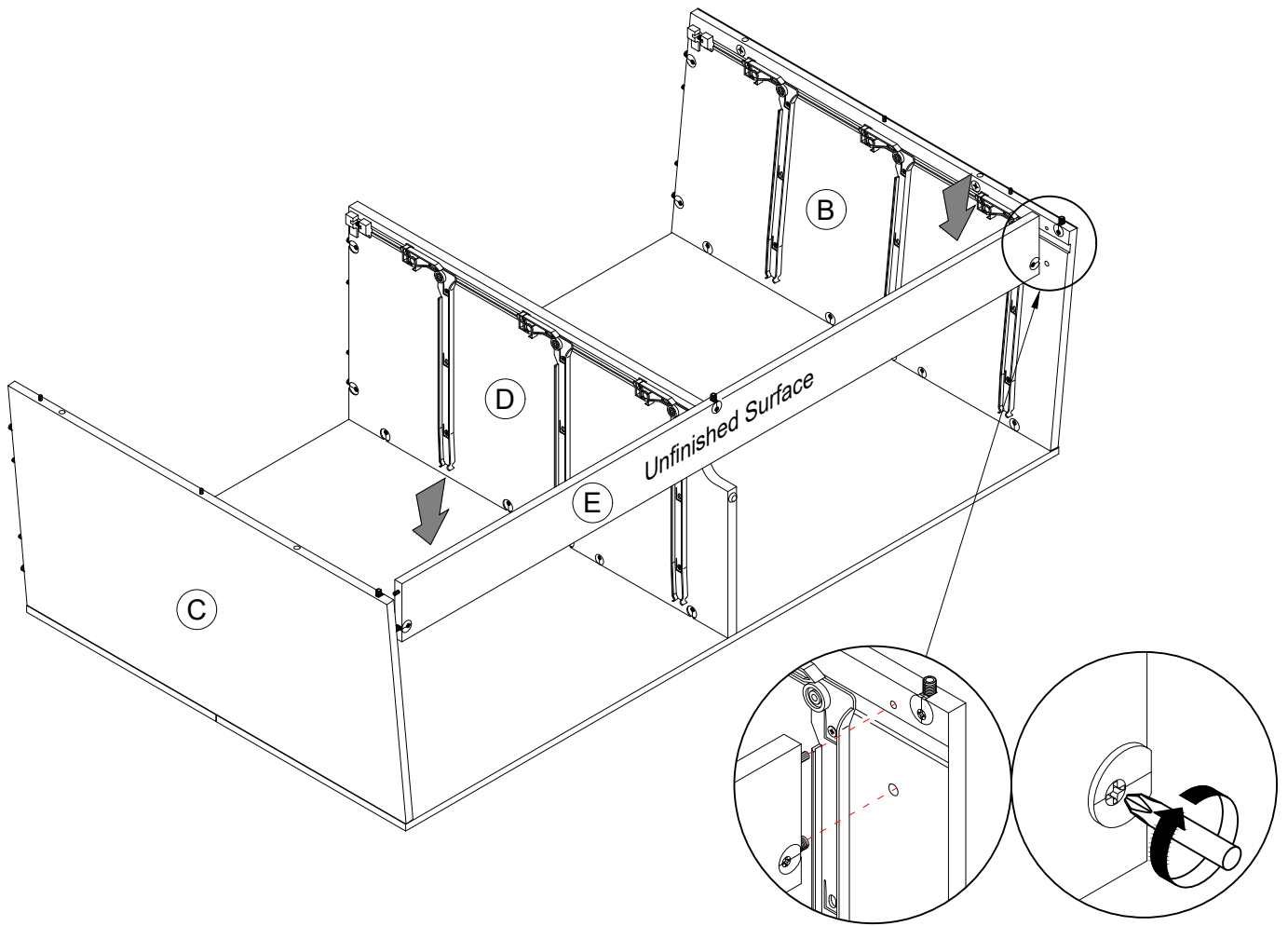
# Step 5



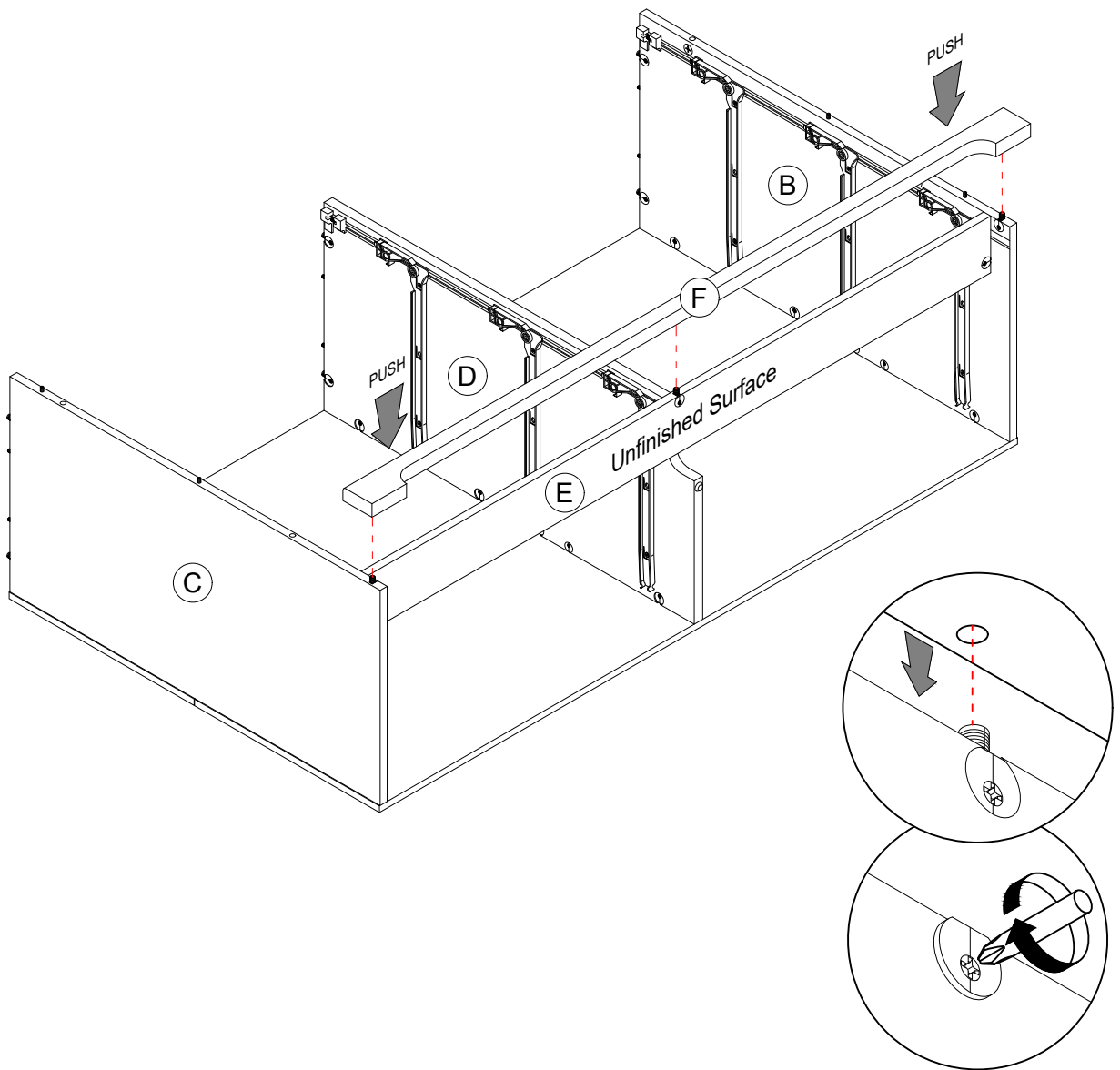
# Step 6



# Step 7

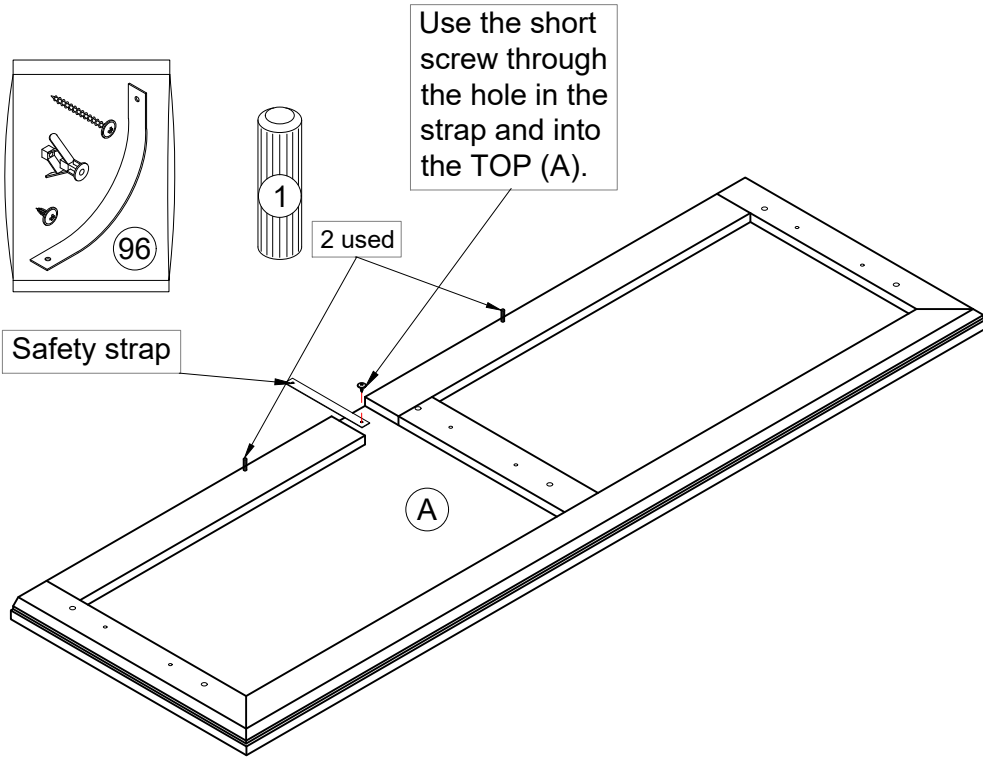


# Step 8

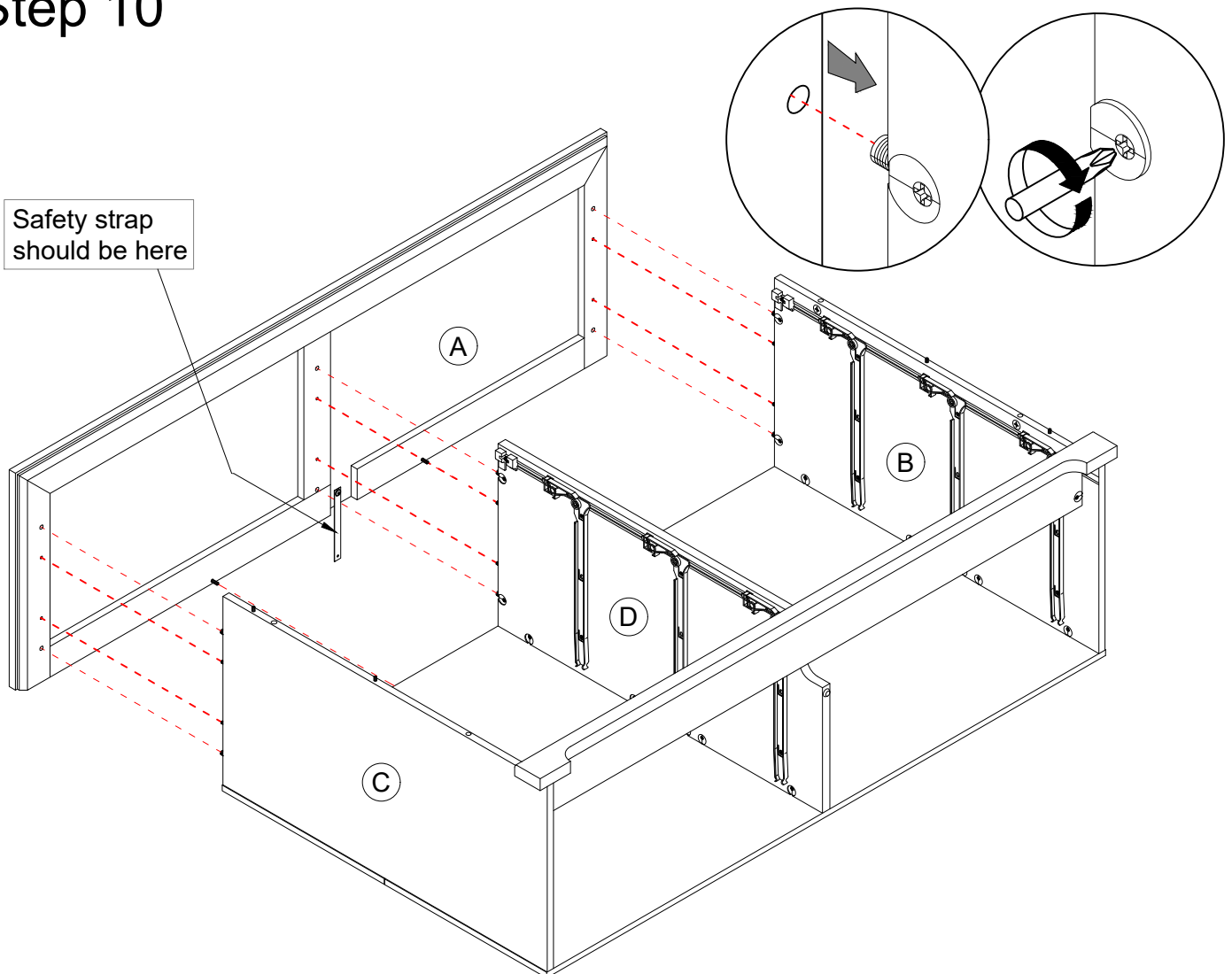




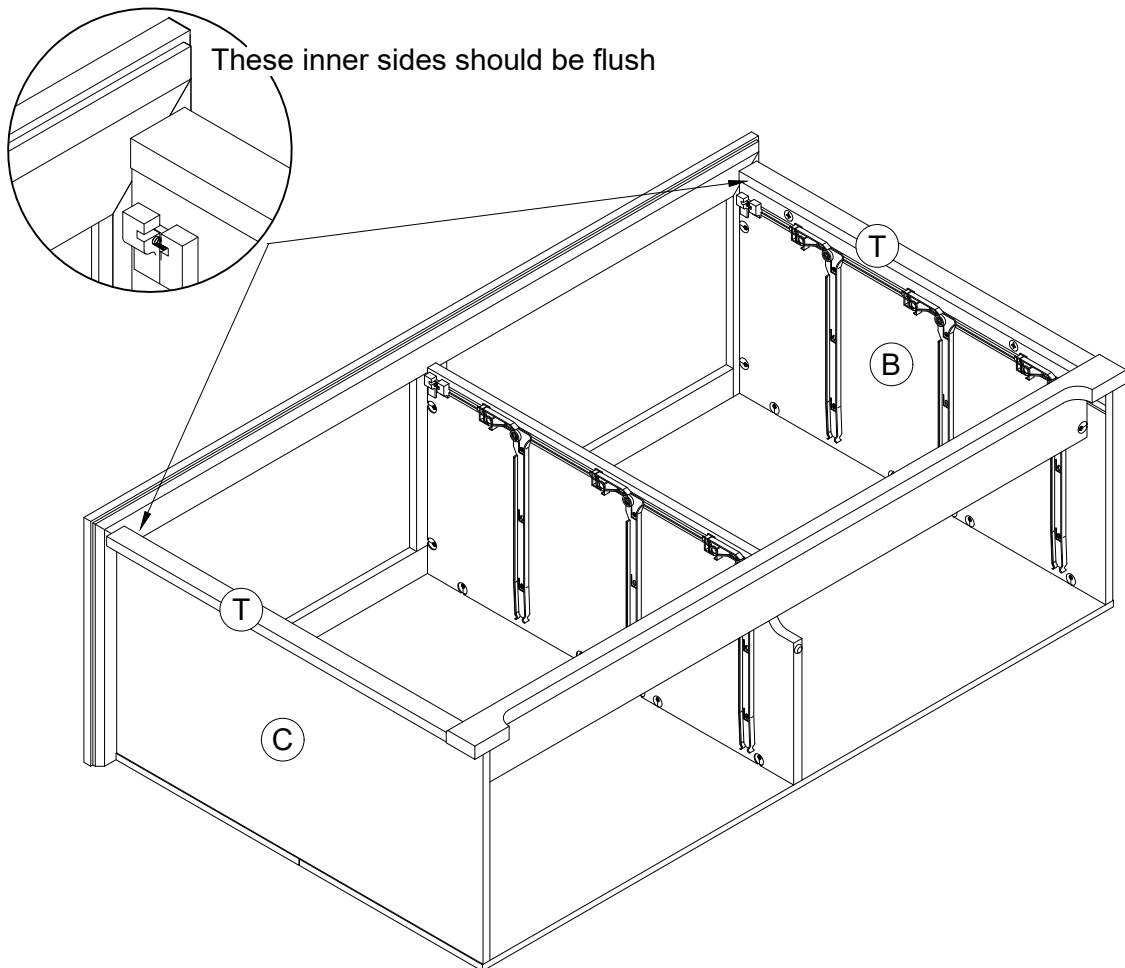
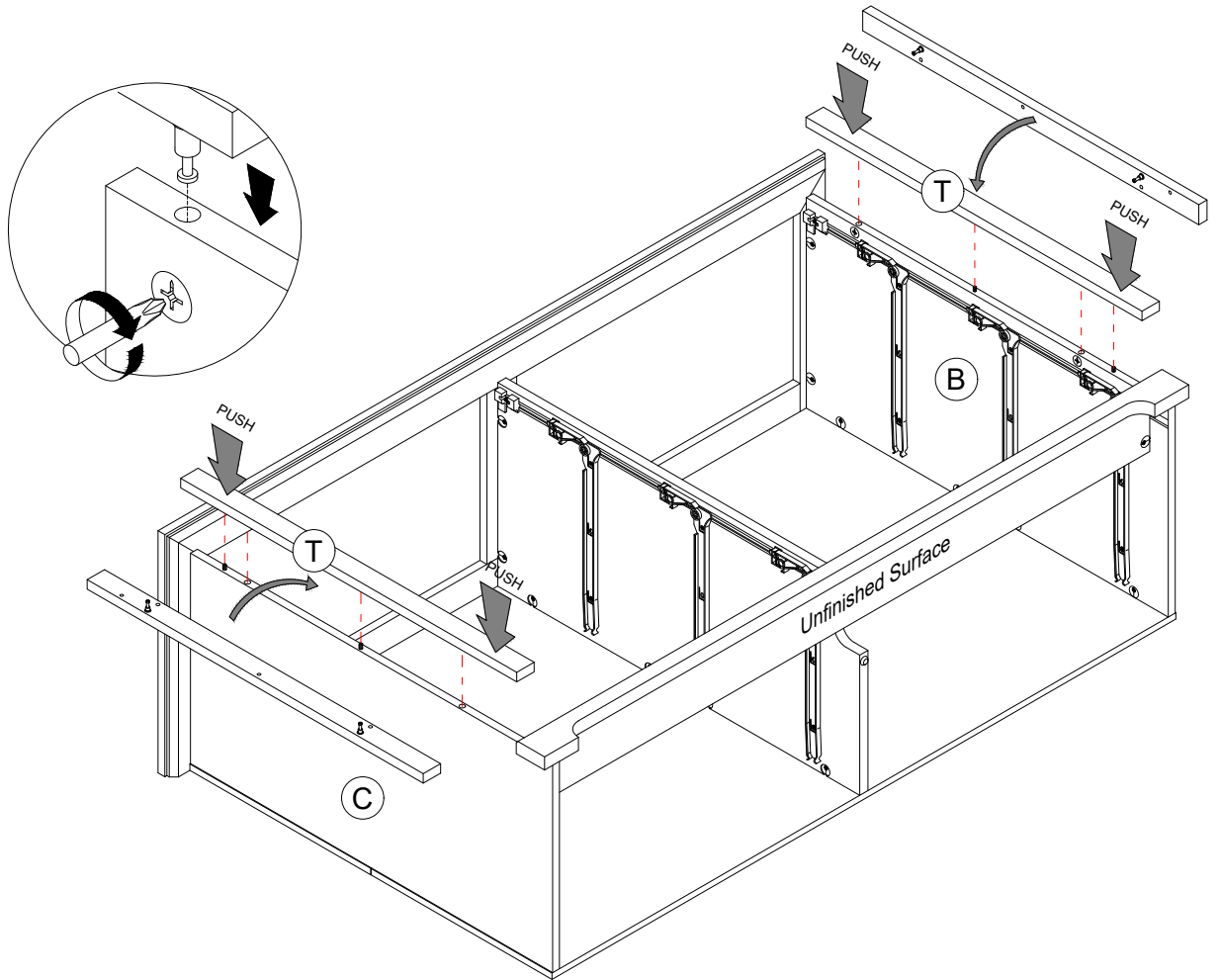
# Step 9



# Step 10

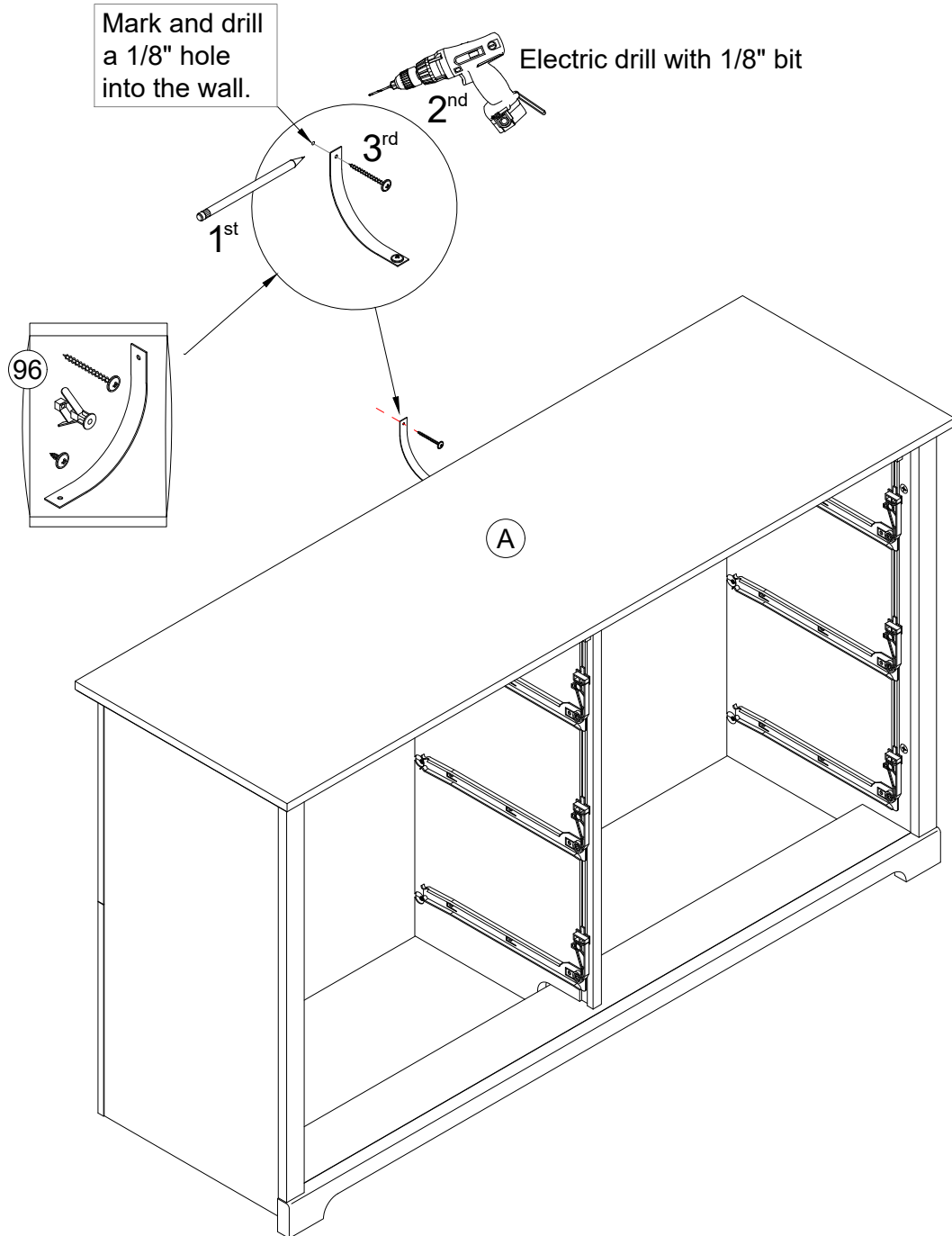


# Step 11



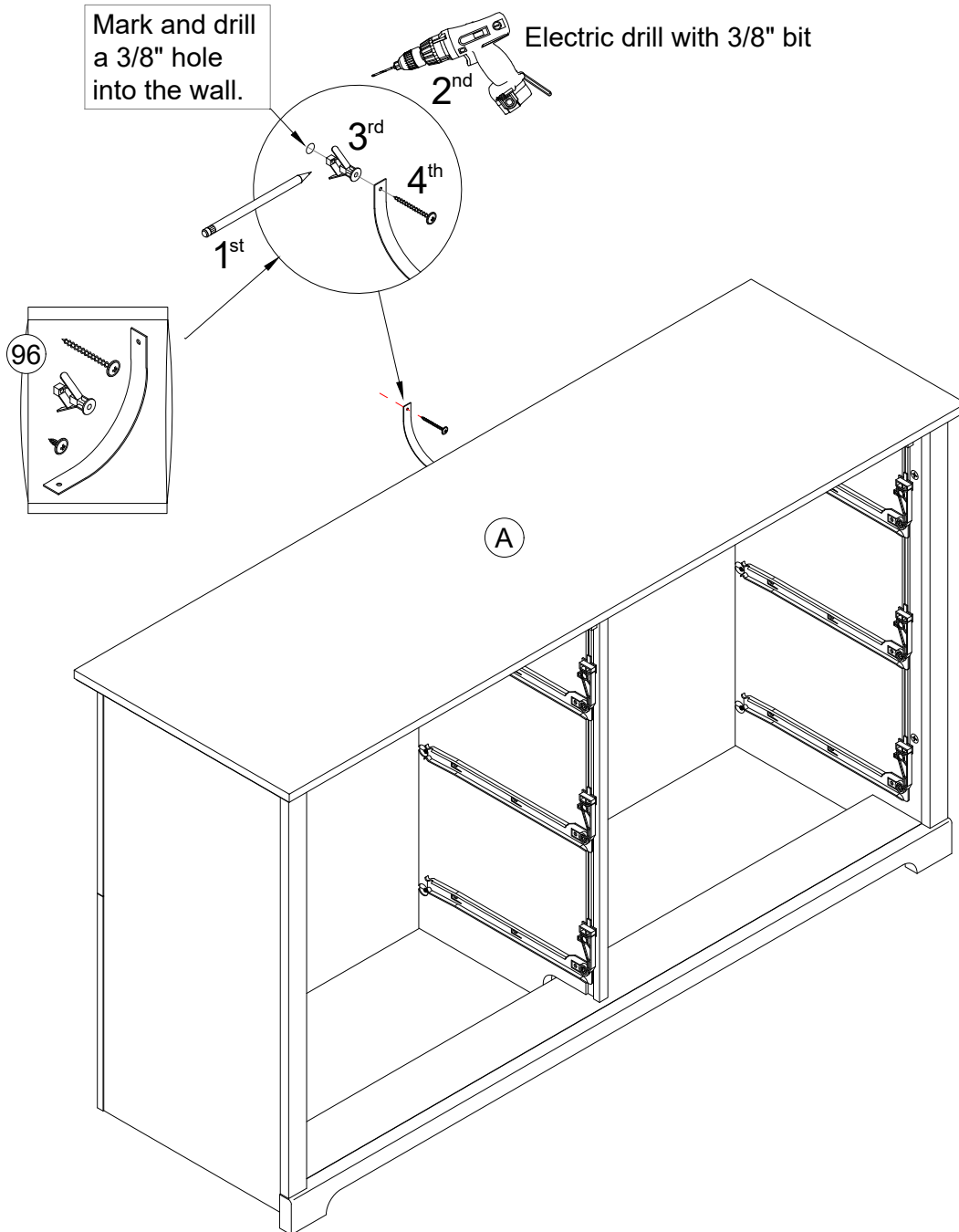
# Step 12

## OPTION 1

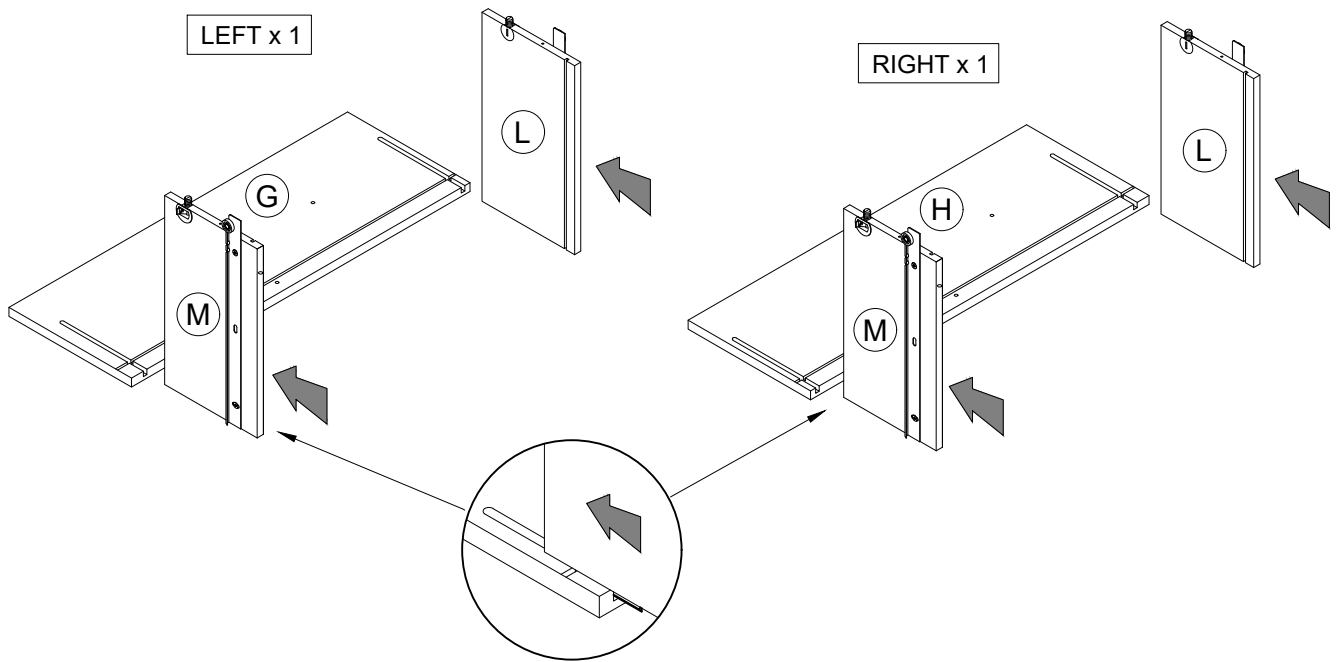


# Step 13

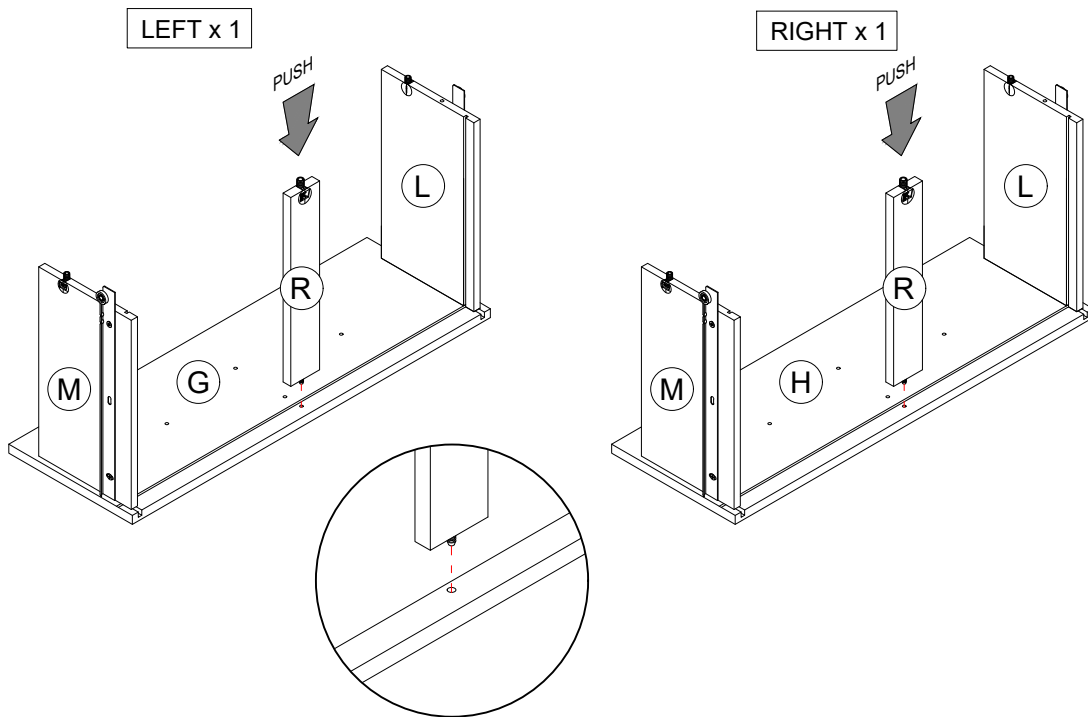
## OPTION 2



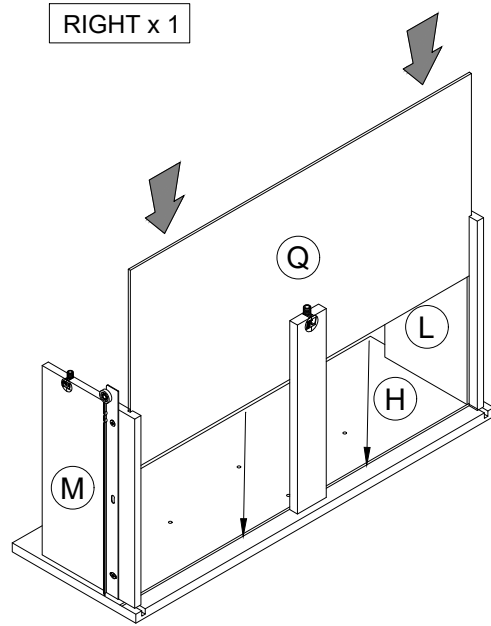
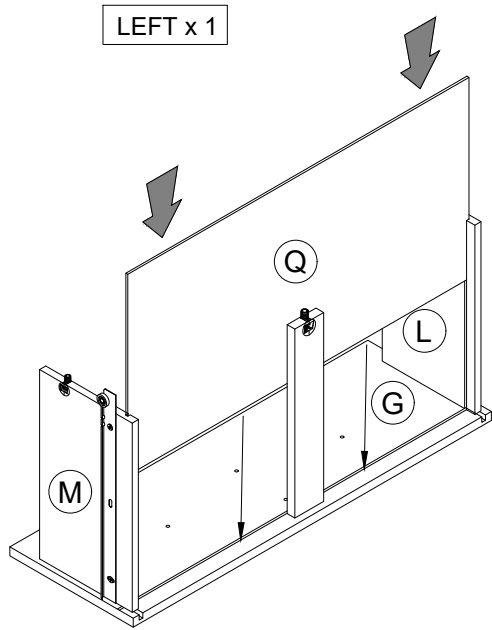
# Step 14



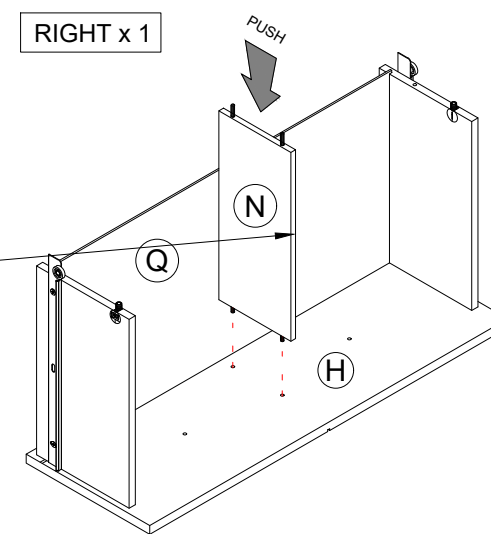
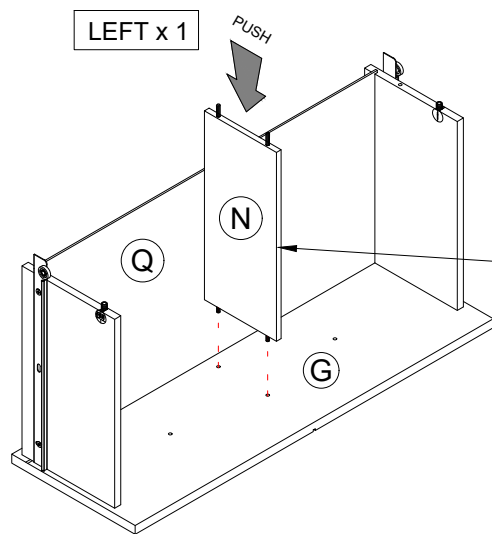
# Step 15



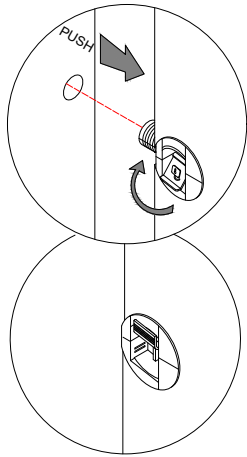
# Step 16





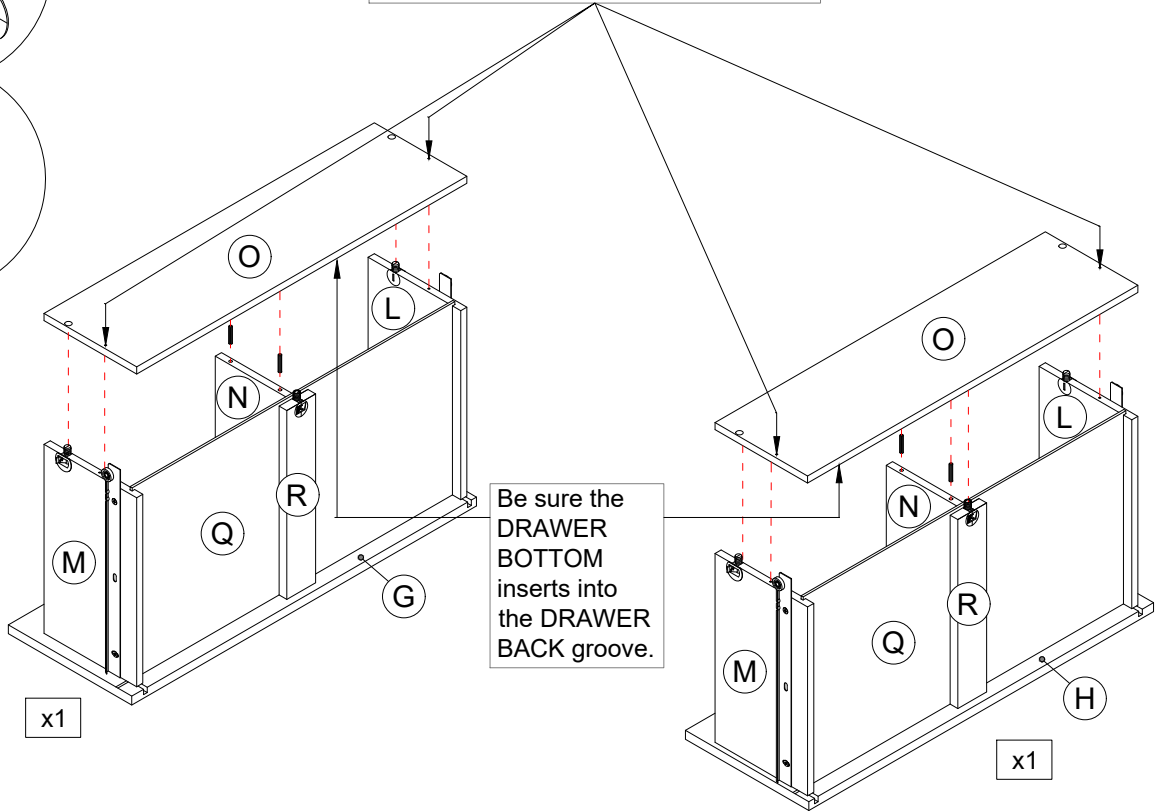
# Step 17





# Step 18

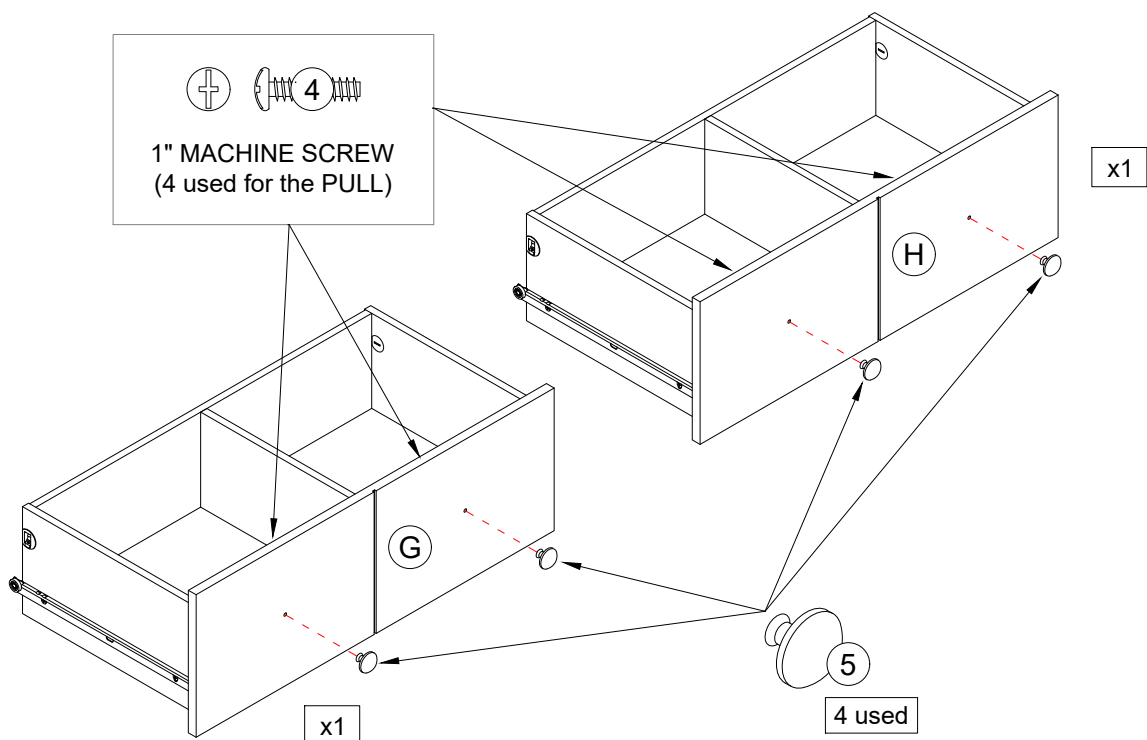


  6  
1-1/4" FLAT HEAD RATTAN SCREW  
(4 used in this step)

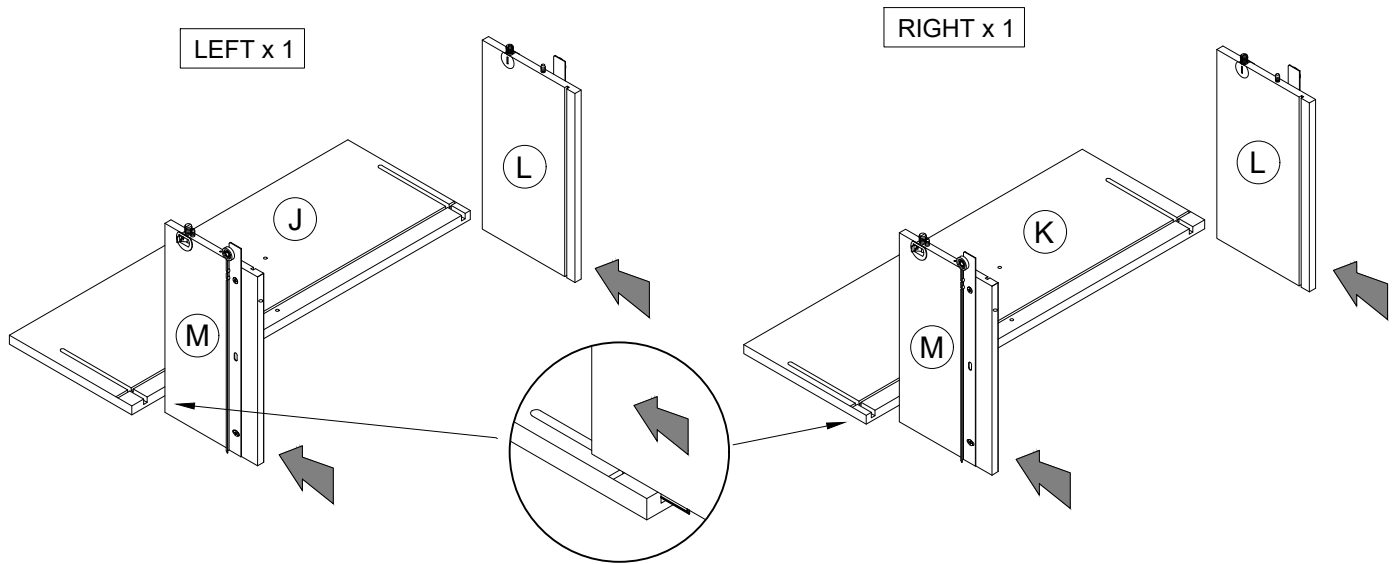


# Step 19

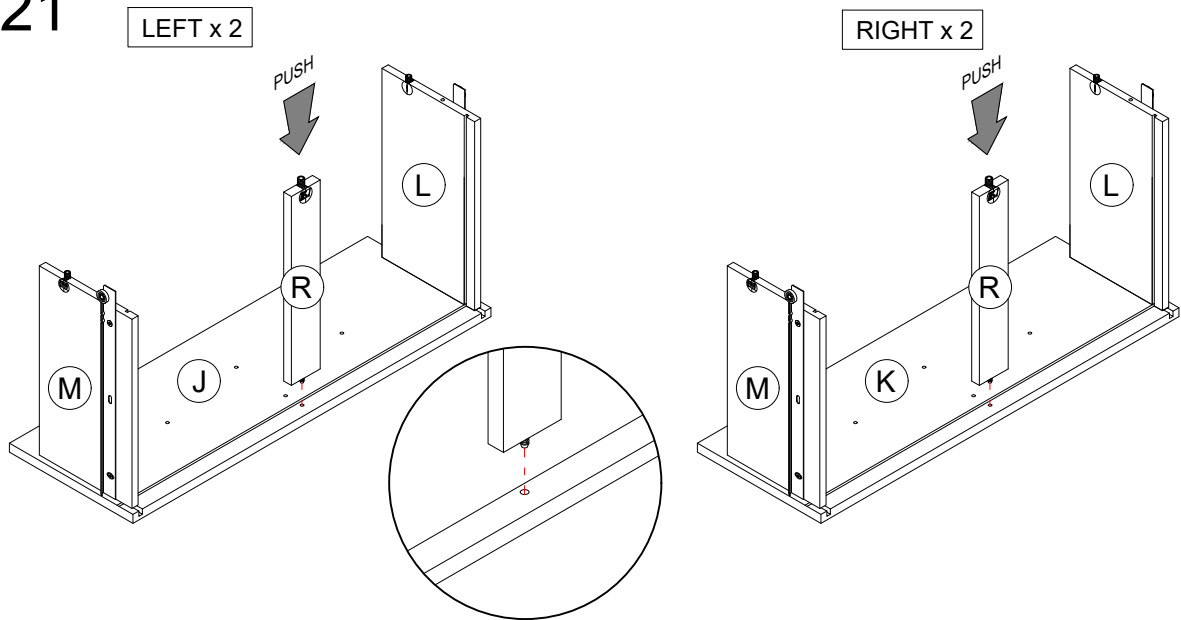
  4  
1" MACHINE SCREW  
(4 used for the PULL)



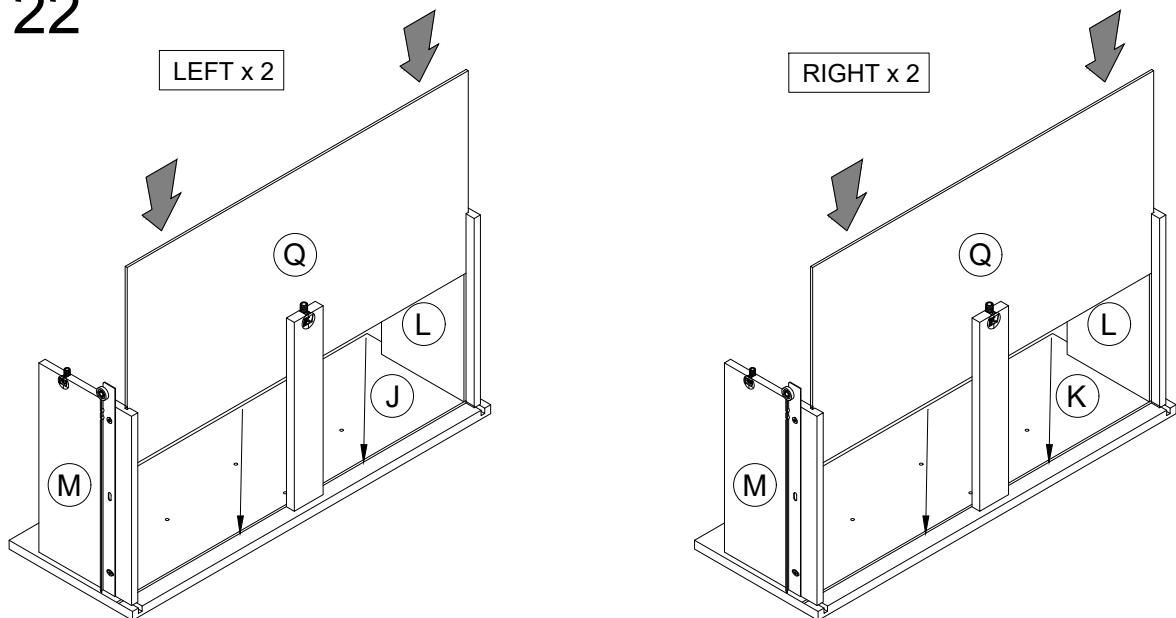
# Step 20



# Step 21

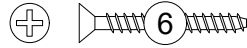
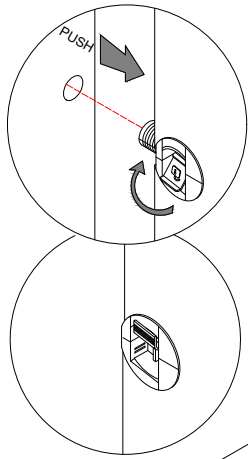


# Step 22

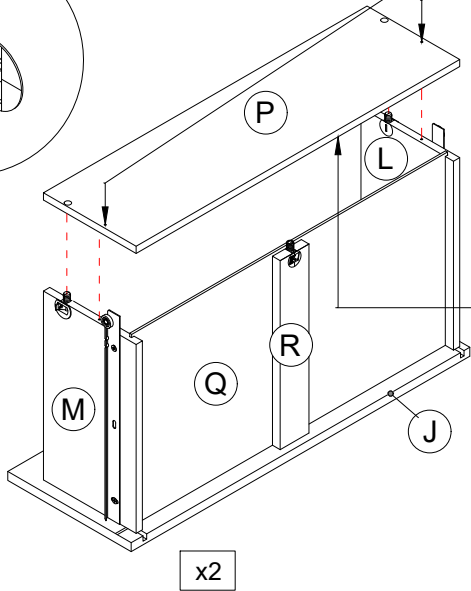




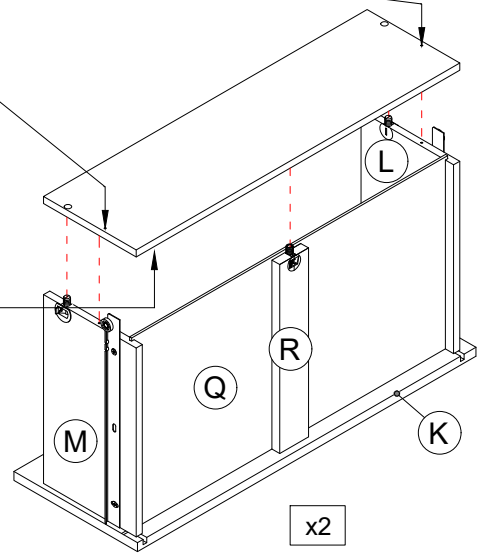
# Step 23



1-1/4" FLAT HEAD RATTAN SCREW  
(8 used in this step)

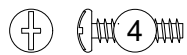


x2

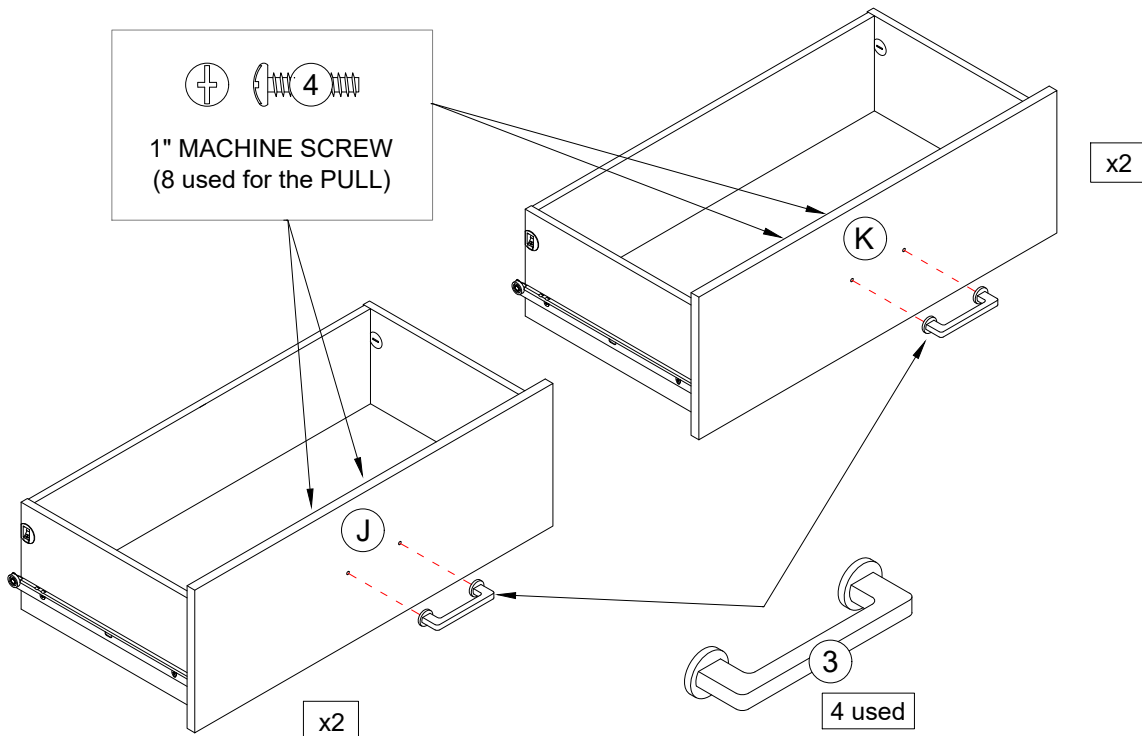


x2

# Step 24



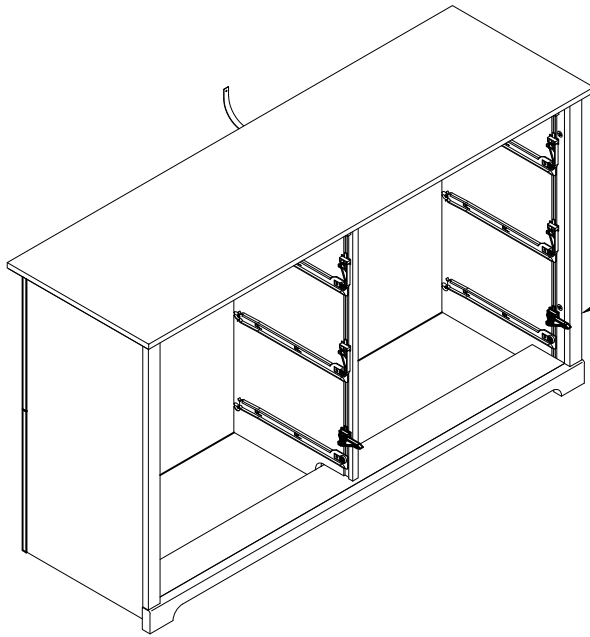
1" MACHINE SCREW  
(8 used for the PULL)



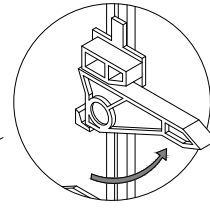
x2

4 used

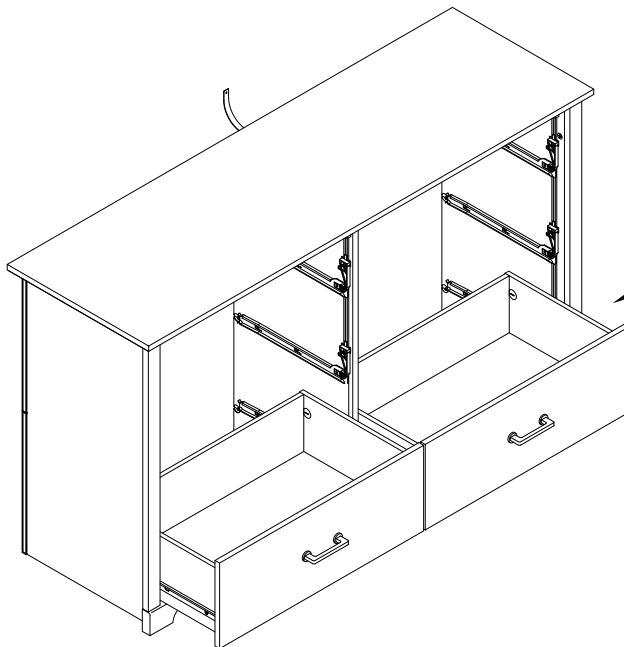
## Step 25



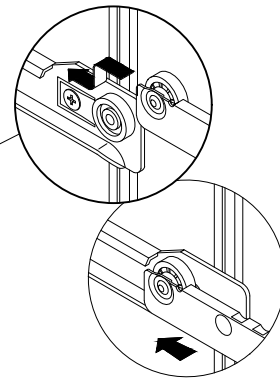
Before inserting the DRAWER, the lever must be in the up position.



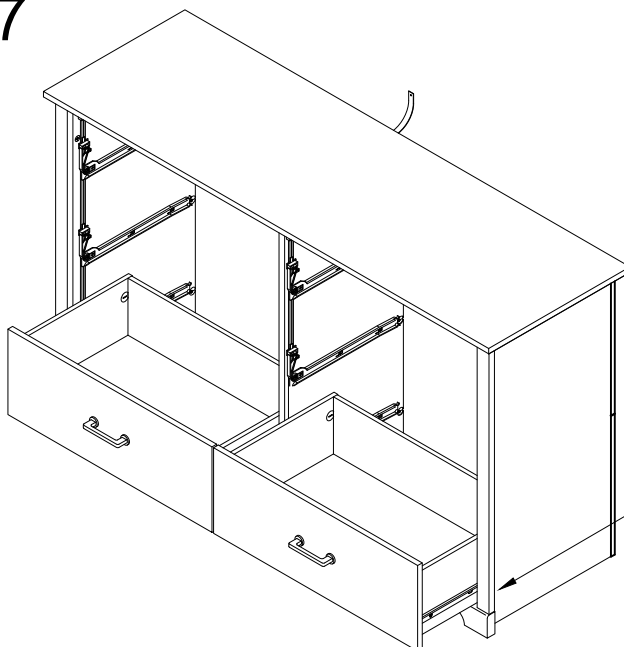
## Step 26



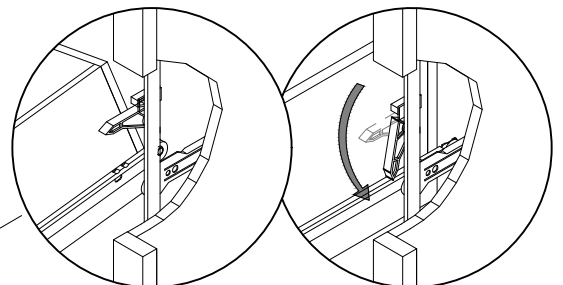
Place the roller on the SLIDE behind the roller on the RAIL.



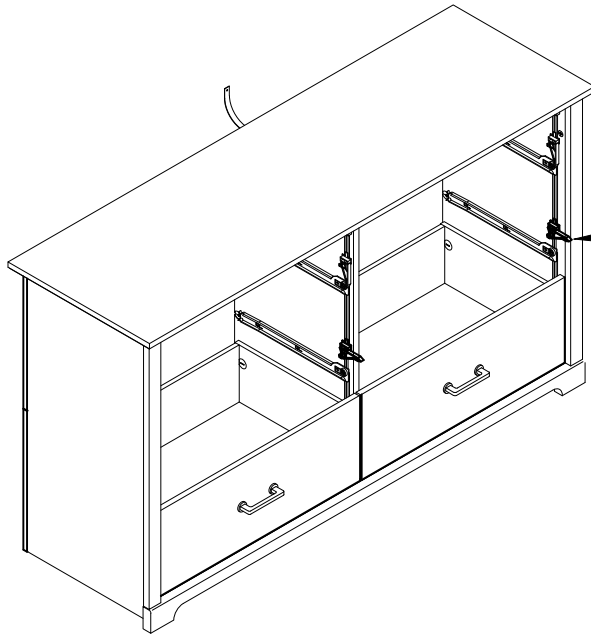
## Step 27



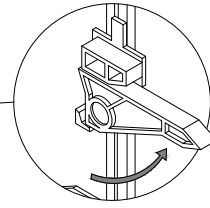
After inserting the DRAWER, the lever must be lowered onto the DRAWER SLIDE. Use the end of your Screwdriver if needed. The DRAWER must be pushed completely into the unit.



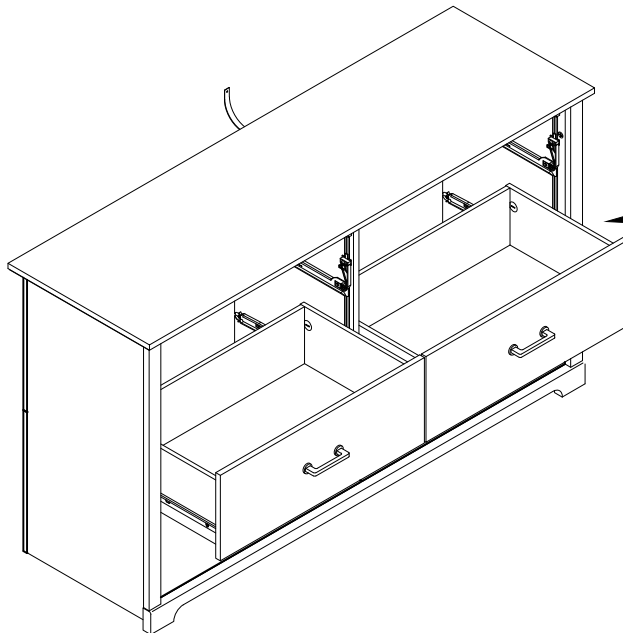
## Step 28



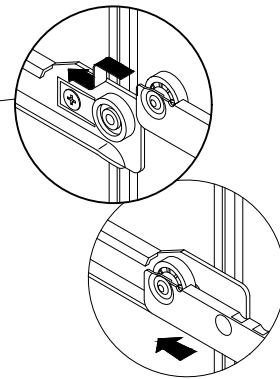
Before inserting the DRAWER, the lever must be in the up position.



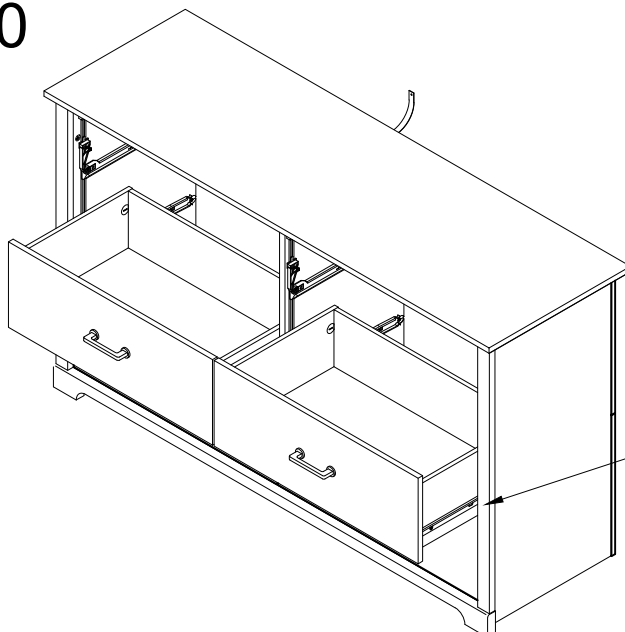
## Step 29



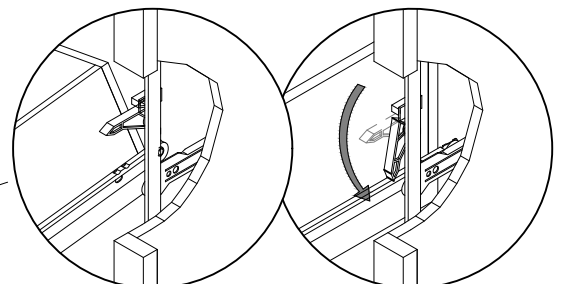
Place the roller on the SLIDE behind the roller on the RAIL.



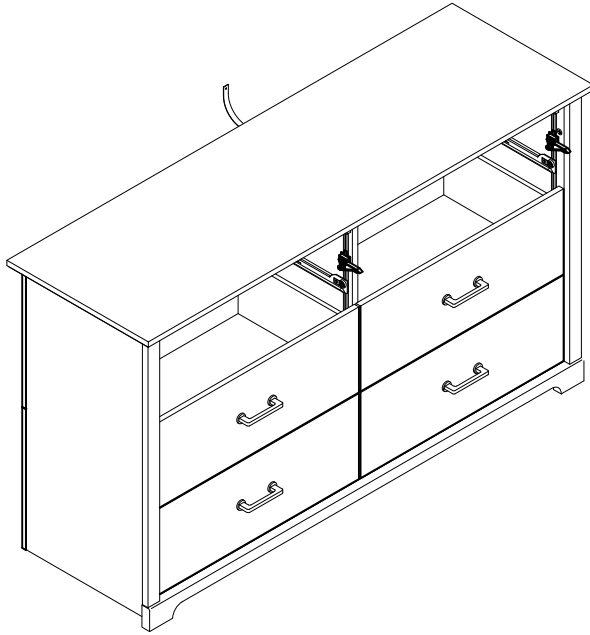
## Step 30



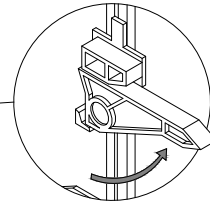
After inserting the DRAWER, the lever must be lowered onto the DRAWER SLIDE. Use the end of your Screwdriver if needed. The DRAWER must be pushed completely into the unit.



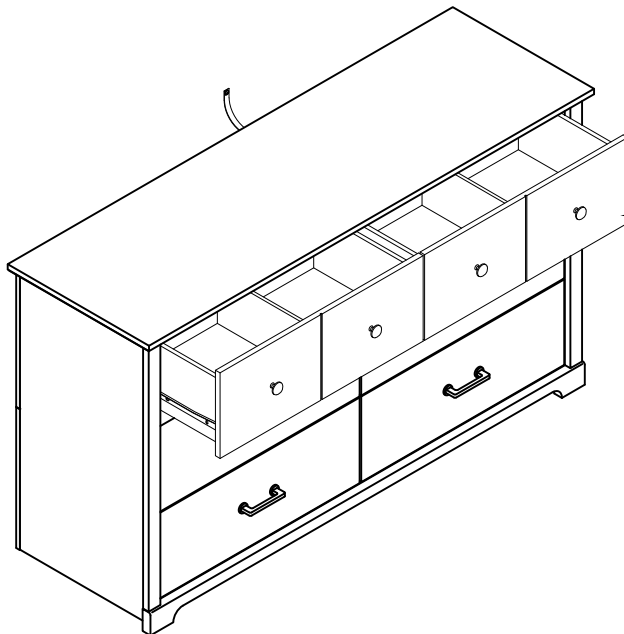
## Step 31



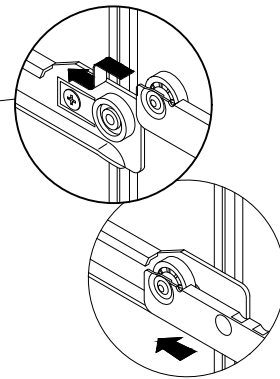
Before inserting the DRAWER, the lever must be in the up position.



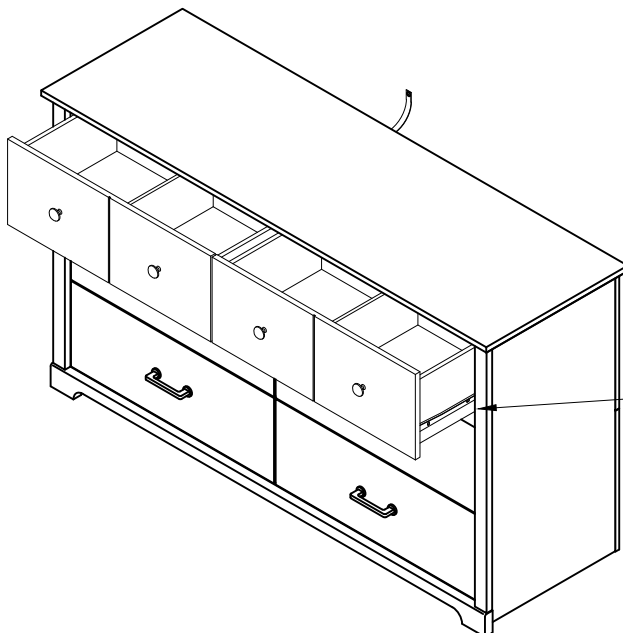
## Step 32



Place the roller on the SLIDE behind the roller on the RAIL.



## Step 33



After inserting the DRAWER, the lever must be lowered onto the DRAWER SLIDE. Use the end of your Screwdriver if needed. The DRAWER must be pushed completely into the unit.

