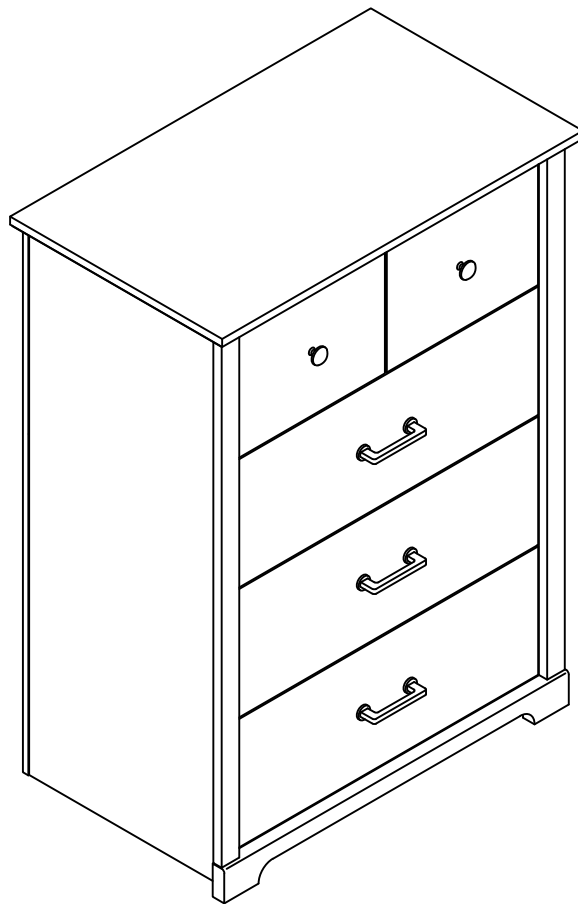
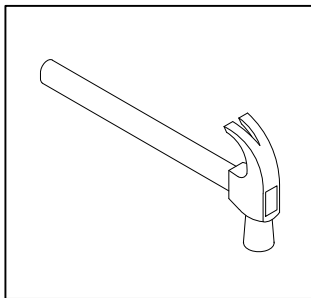
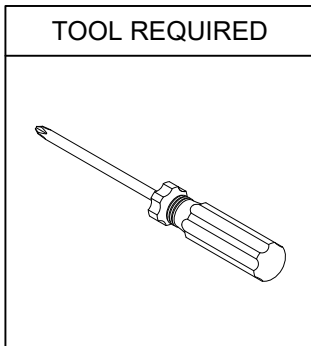


Assembly Instruction

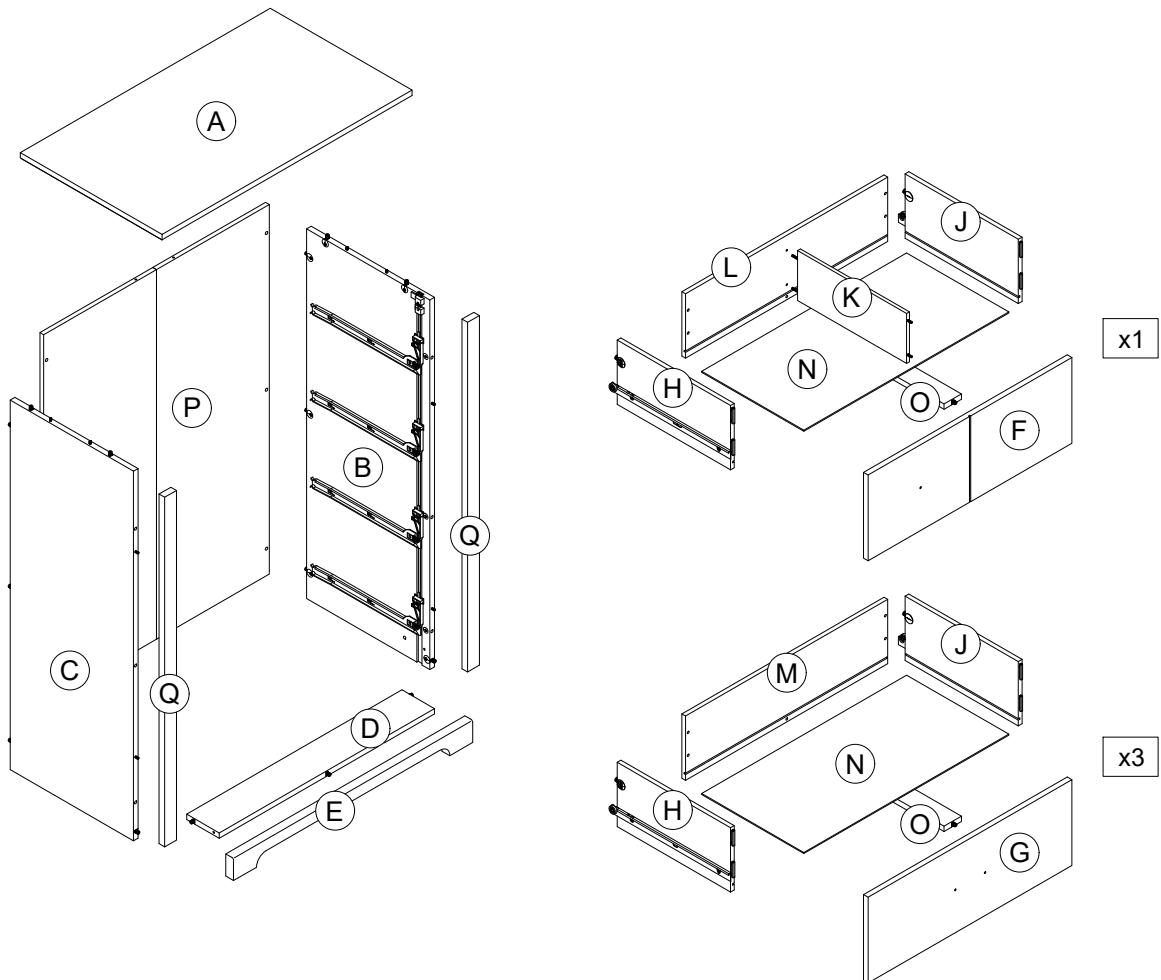
Item No : 58905CH / 58906CH

Description: 4 Drawer Chest



PARTS LIST

A	TOP (1)	J	RIGHT DRAWER SIDE (4)
B	RIGHT END (1)	K	DRAWER DIVIDER (1)
C	LEFT END (1)	L	TOP DRAWER BACK (1)
D	BRACE (1)	M	LOWER DRAWER BACK (3)
E	SKIRT (1)	N	DRAWER BOTTOM (4)
F	TOP DRAWER FRONT (1)	O	DRAWER BRACE (4)
G	LOWER DRAWER FRONT (3)	P	BACK (1)
H	LEFT DRAWER SIDE (4)	Q	FRONT MOLDING (2)

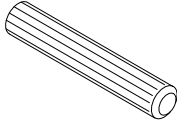


USEFUL HINTS BEFORE YOU START:

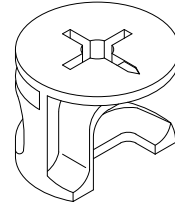
1. Read each step carefully before starting.
2. It is important that each step is performed in correct order to avoid difficulties.
3. Identify, sort and count the parts before assembly.
4. Assemble your furniture on packaging cardboard to prevent scratch or damage.
5. Clean the product with mild cleanser using soft damp cloth. Do not use harsh or abrasive cleanser.
6. Using incompatible hardware might cause damage to product.

HARDWARE LIST

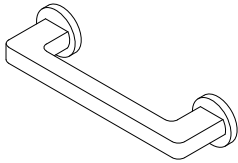
1 PLASTIC DOWEL - 2



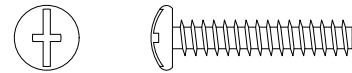
2 HIDDEN CAM - 6



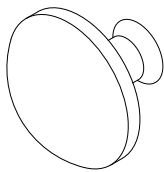
3 PULL - 3



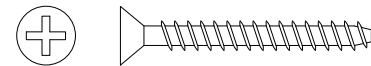
4 1" MACHINE SCREW - 8



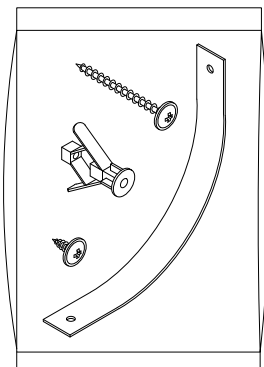
5 KNOB - 2



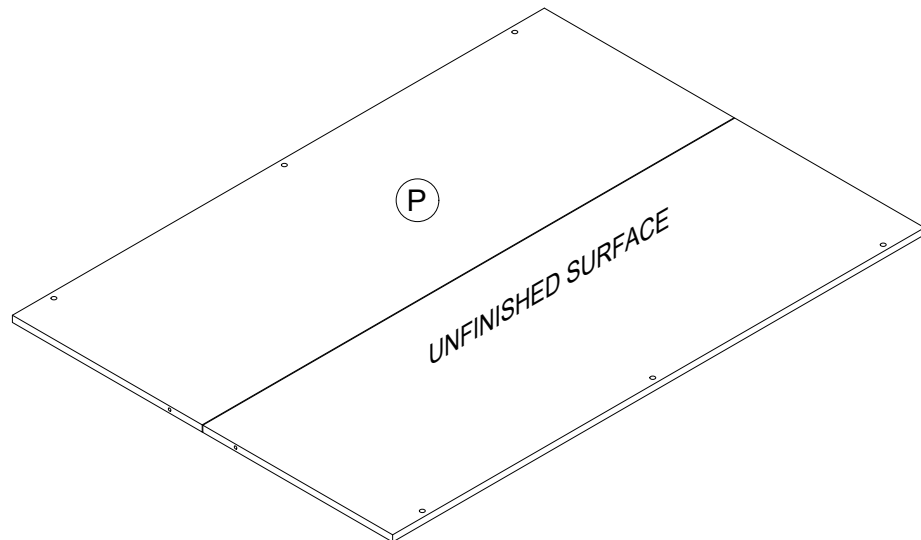
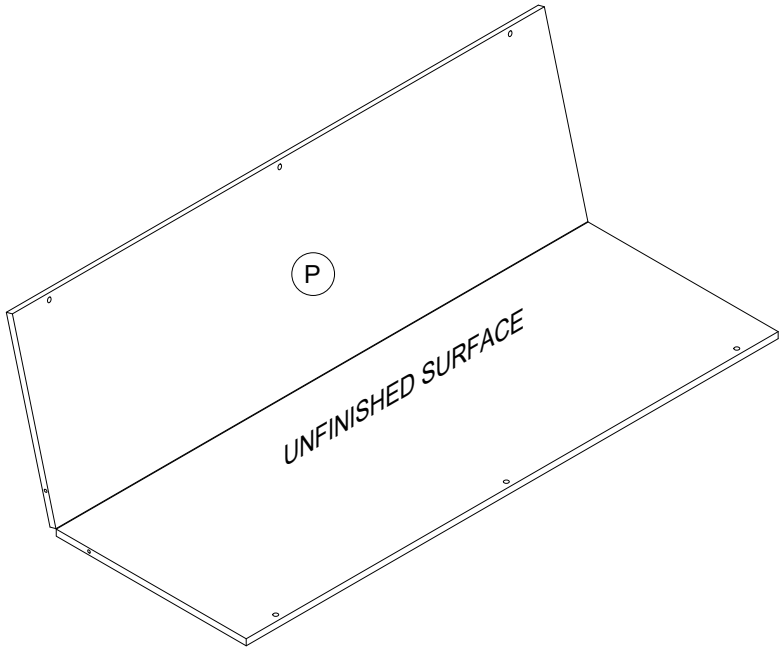
6 1-1/4" FLAT HEAD RATTAN SCREW - 8



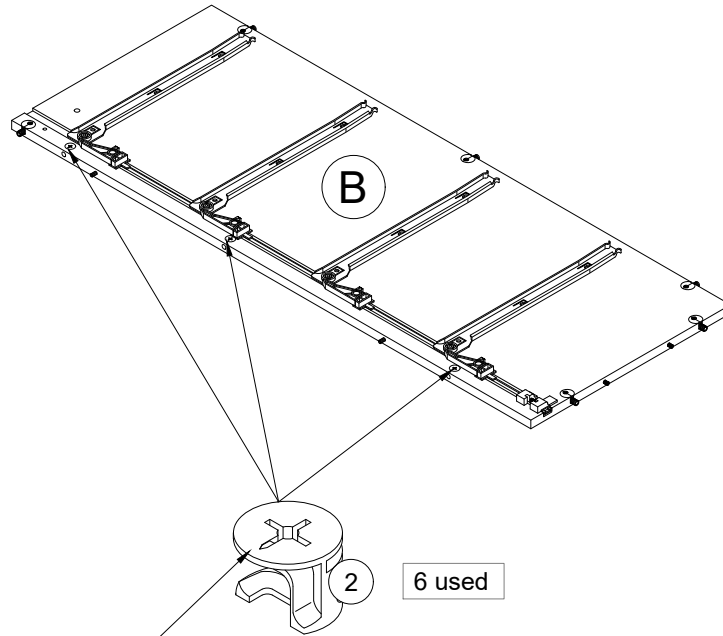
96 FURNITURE TIPPING RESTRAINT KIT - 1



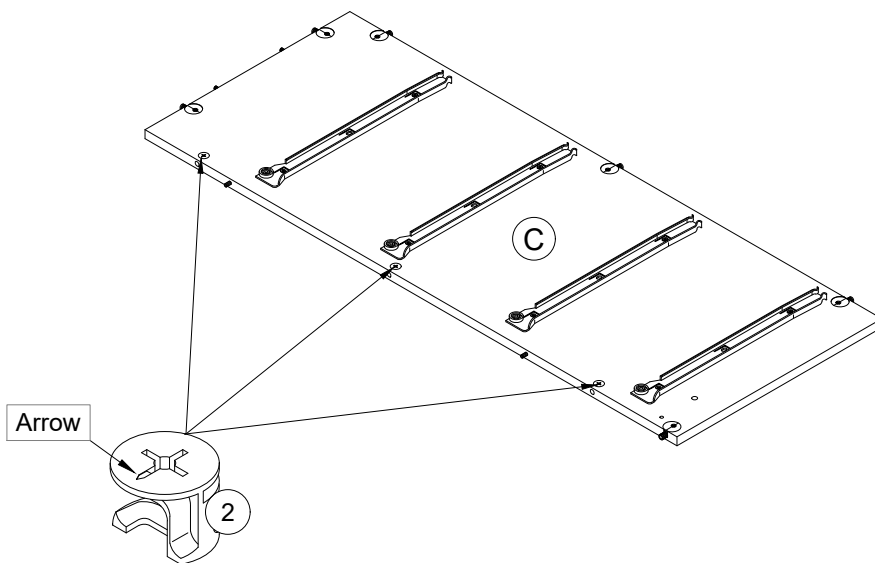
Step 1



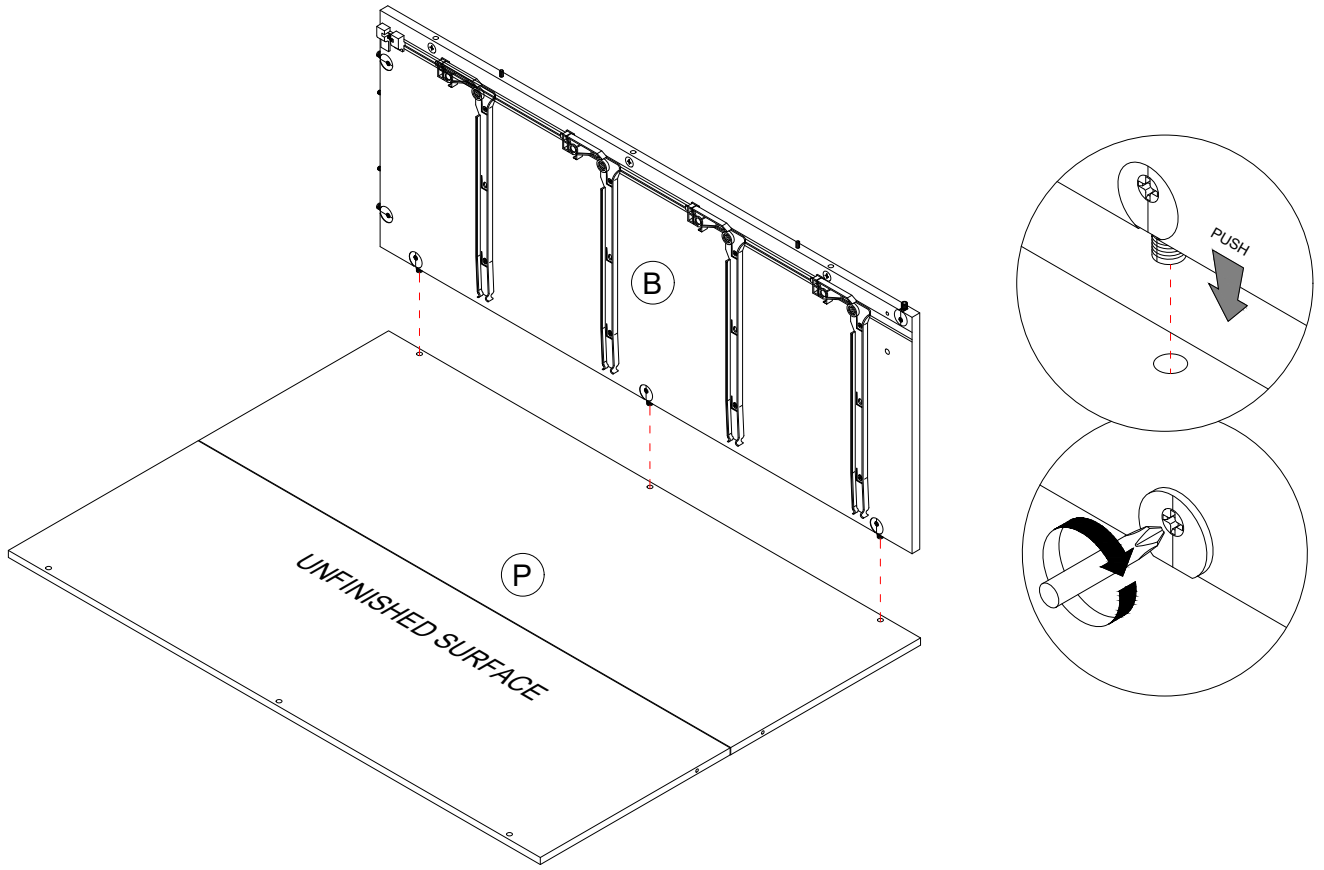
Step 2



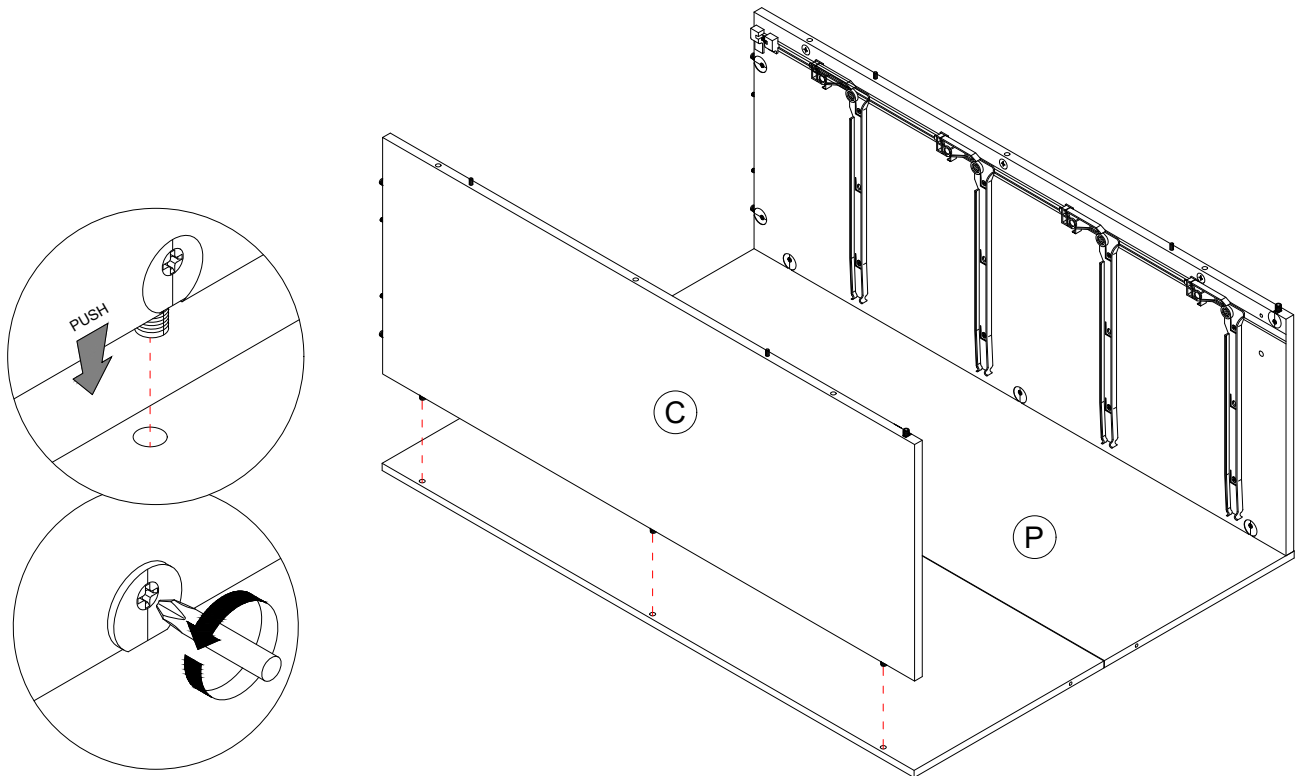
The arrow in the HIDDEN CAM must point toward the hole in the edge of the board.



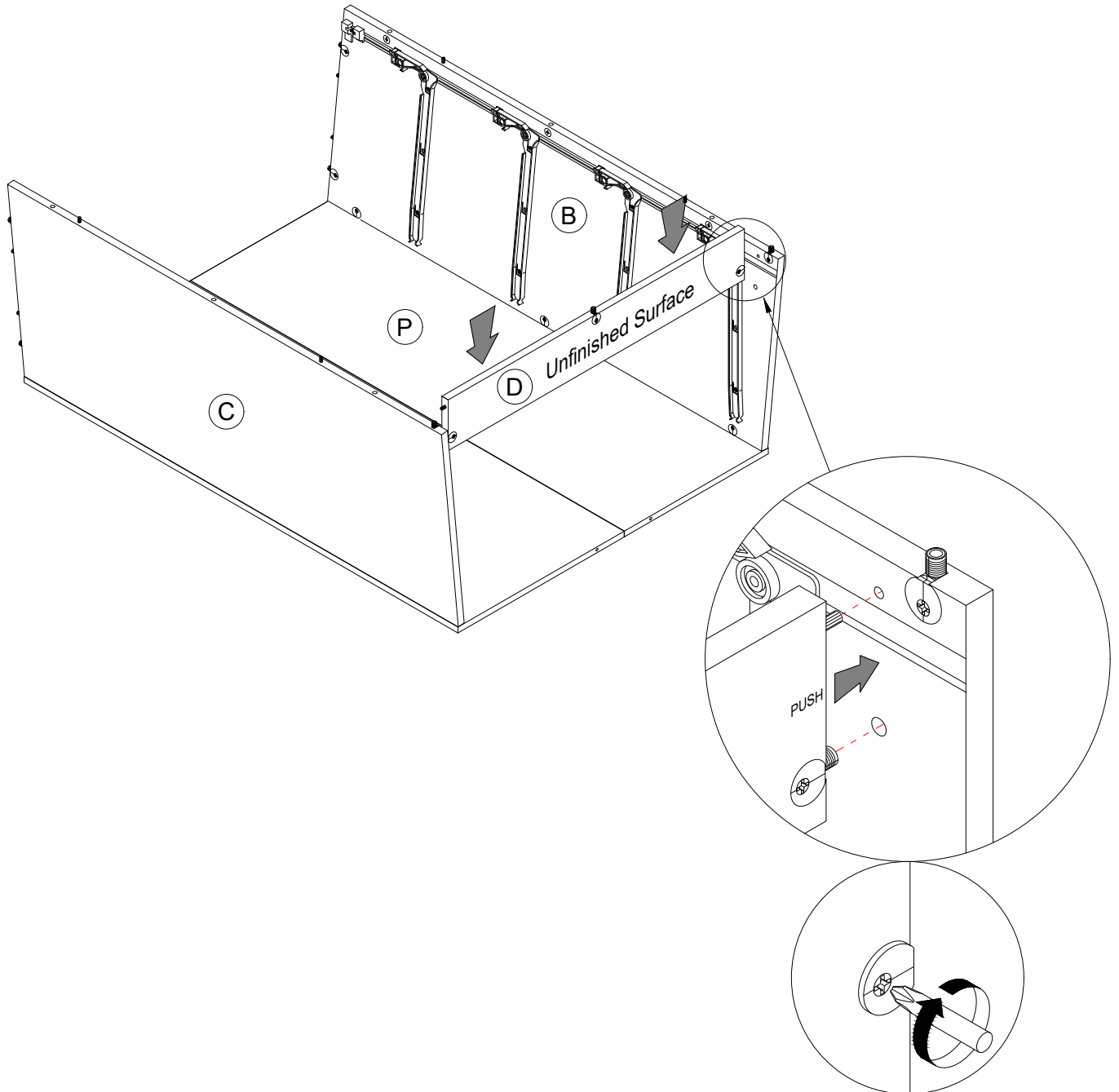
Step 3



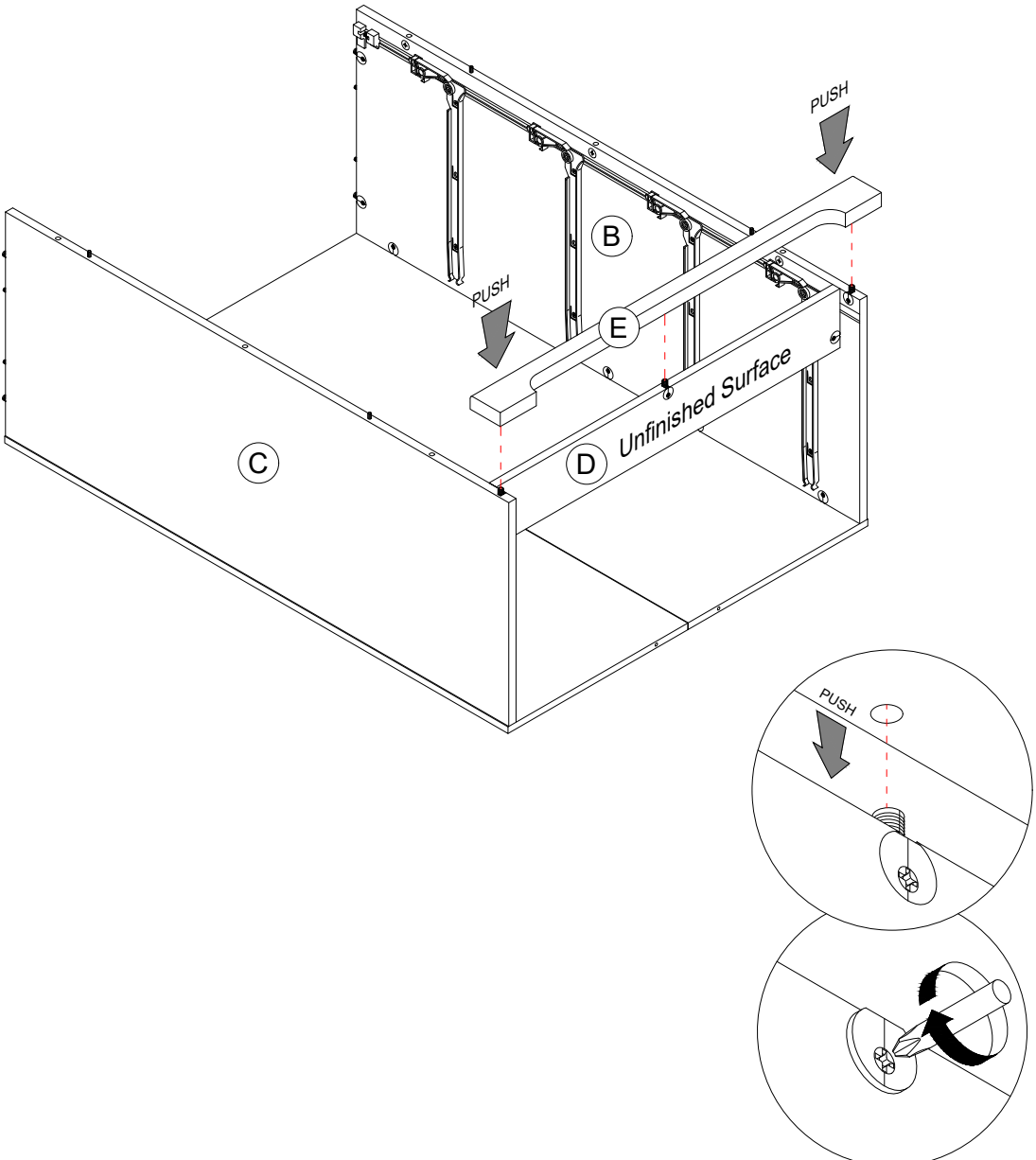
Step 4



Step 5

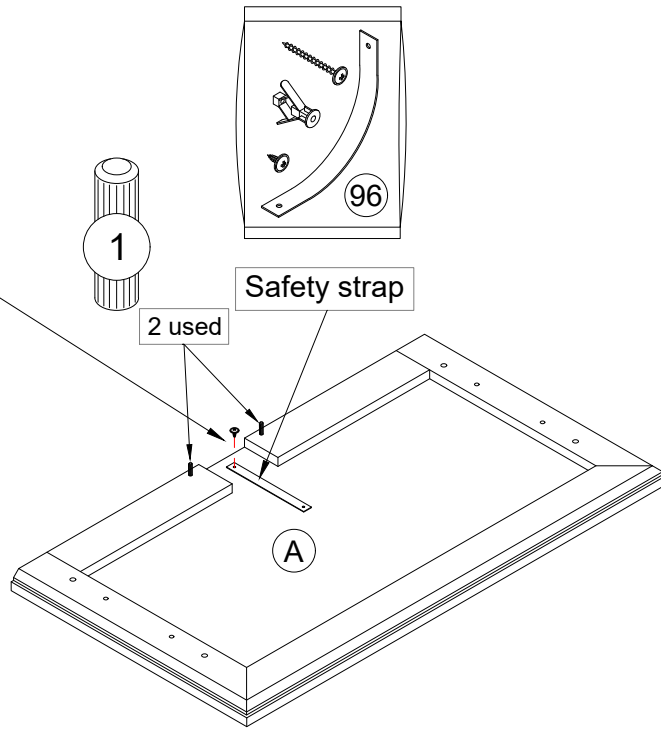


Step 6

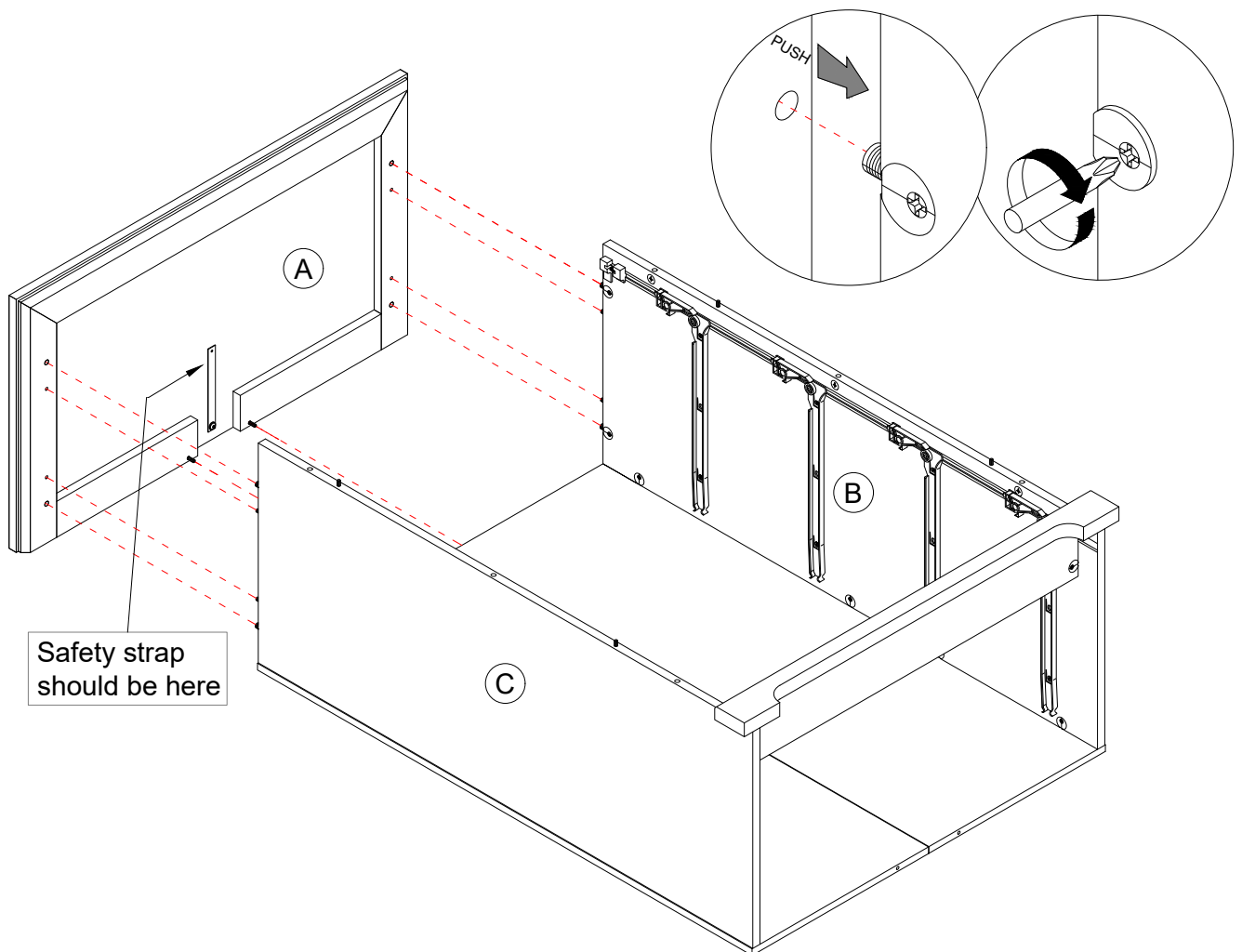


Step 7

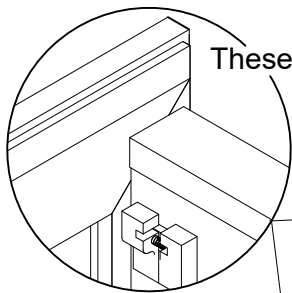
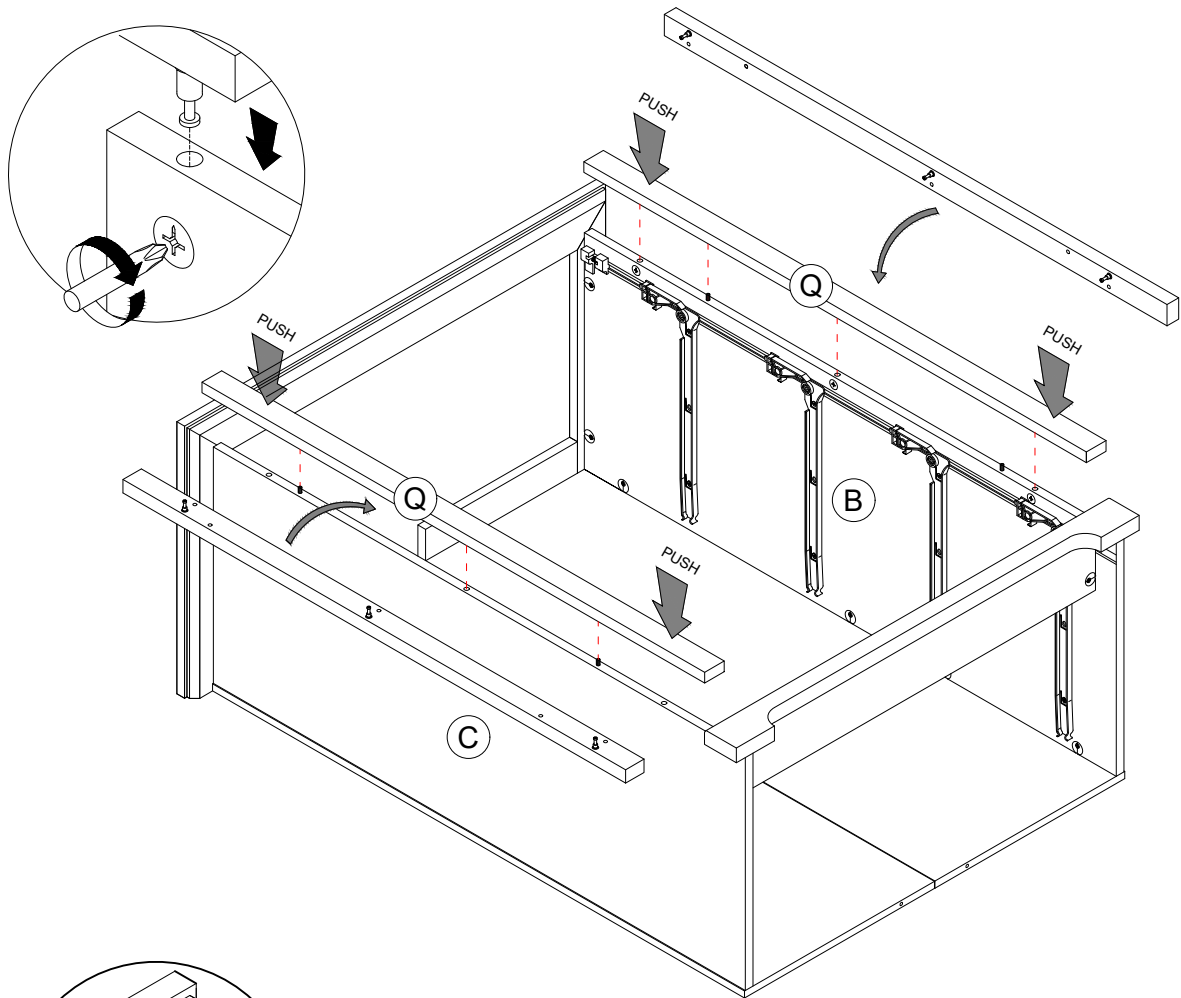
Use the short screw through the hole in the strap and into the TOP (A).



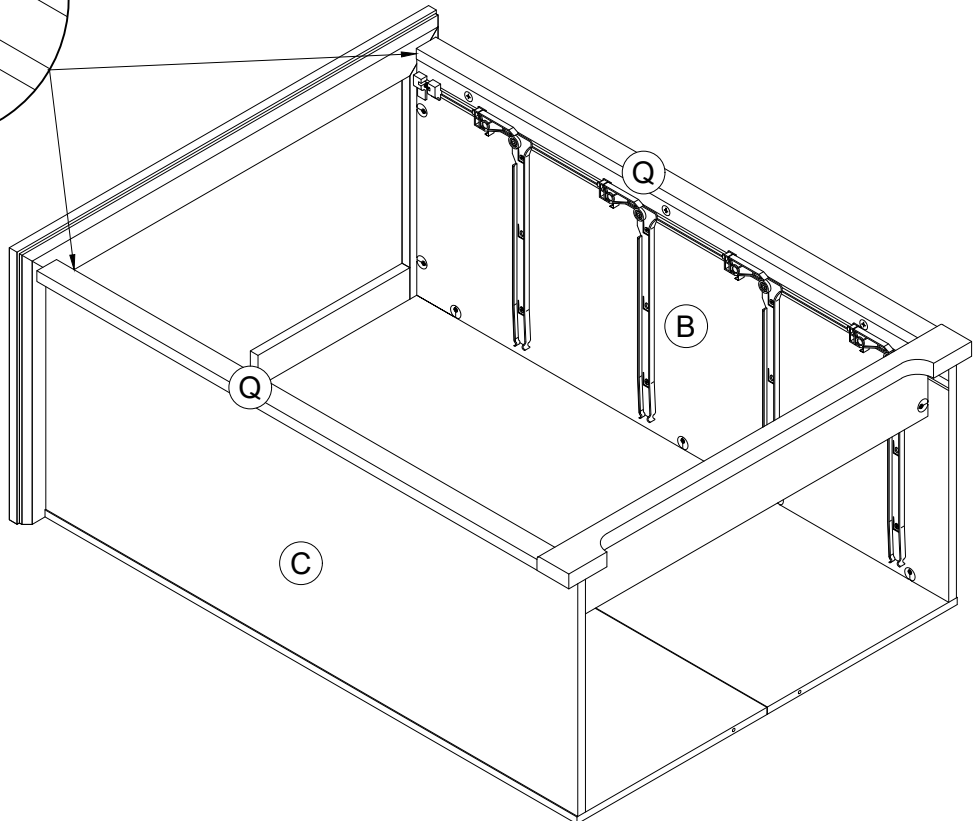
Step 8



Step 9

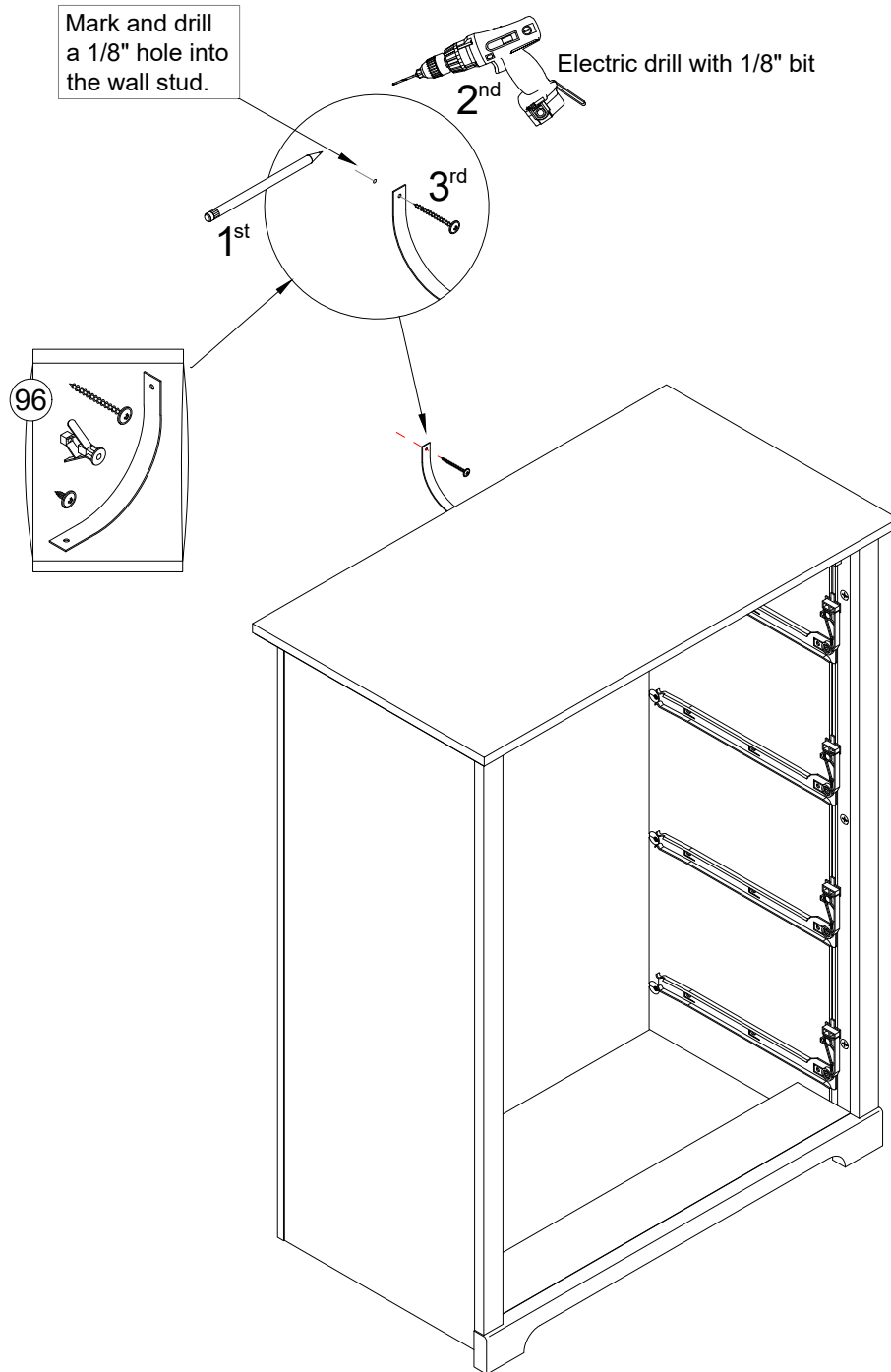


These inner sides should be flush



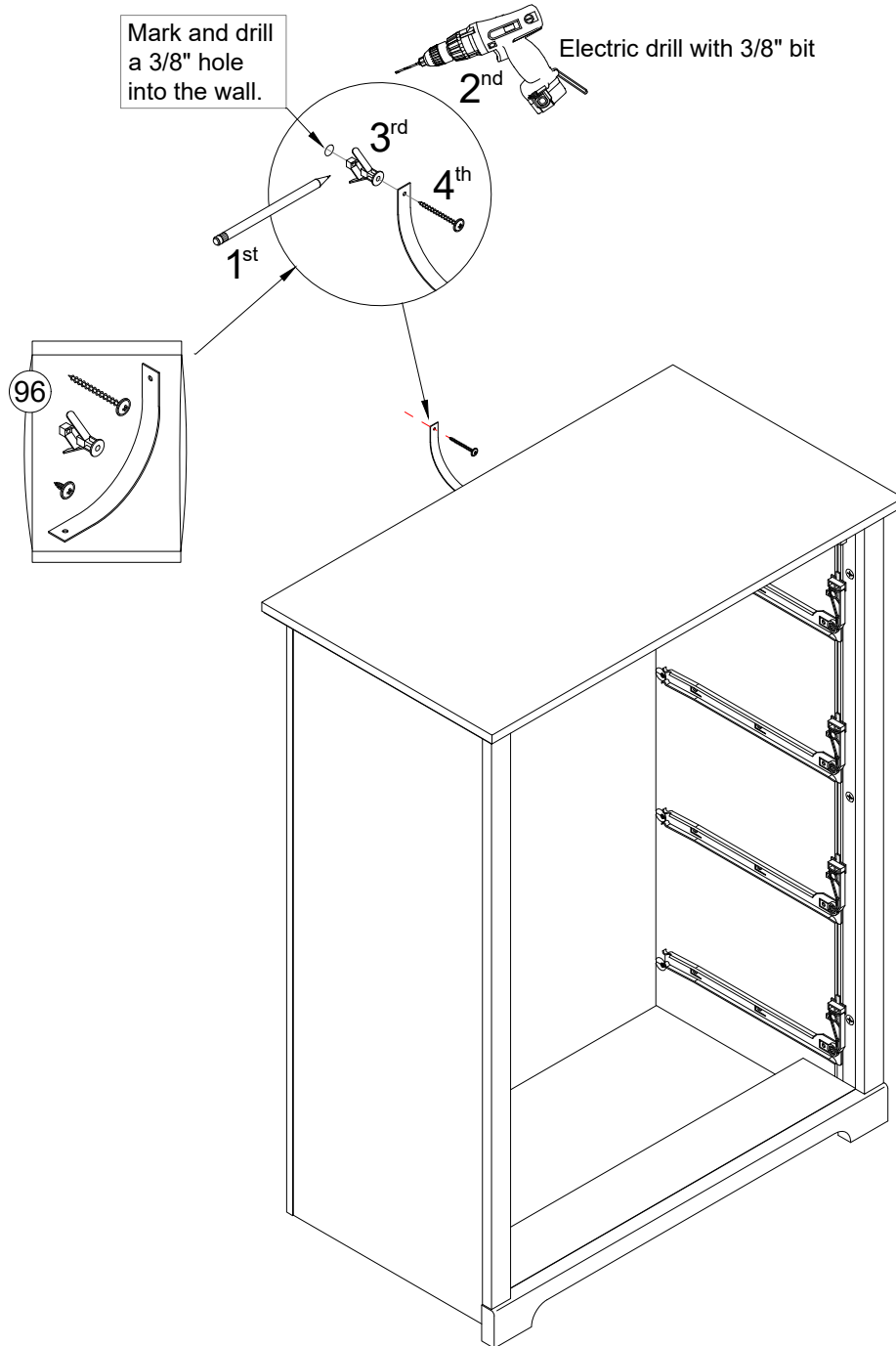
Step 10

OPTION 1

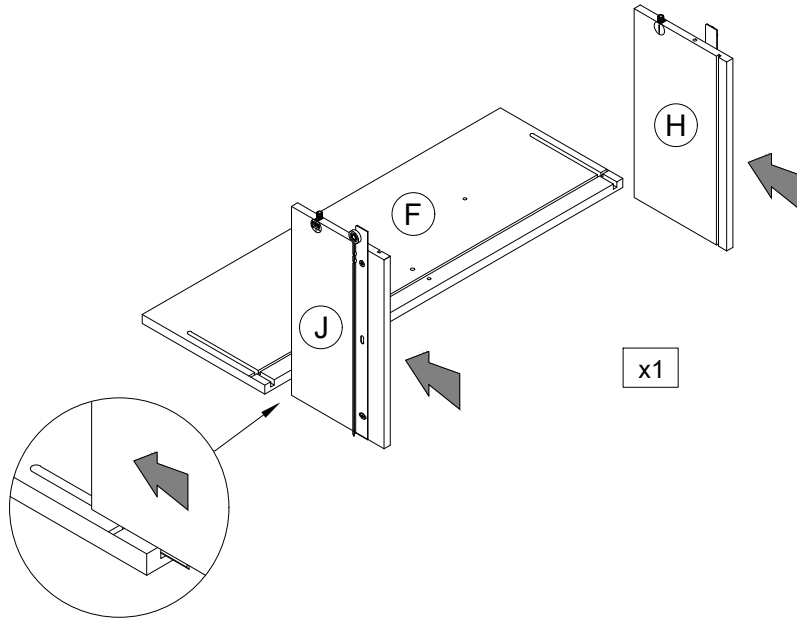


Step 11

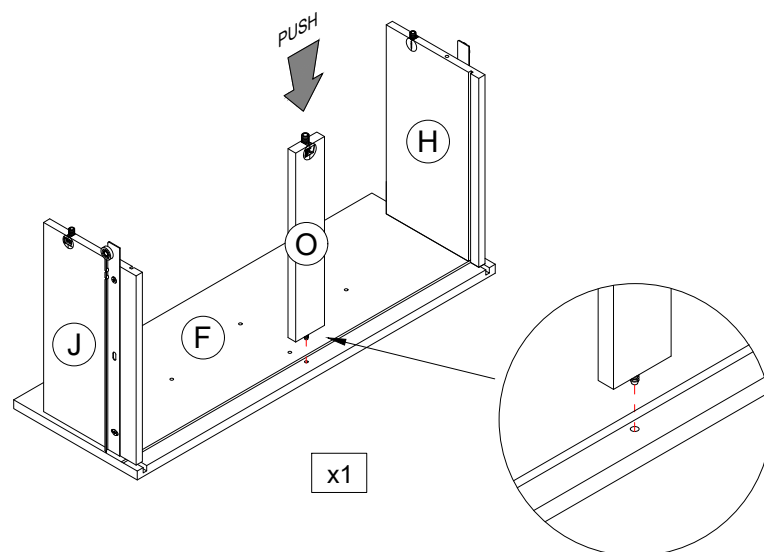
OPTION 2



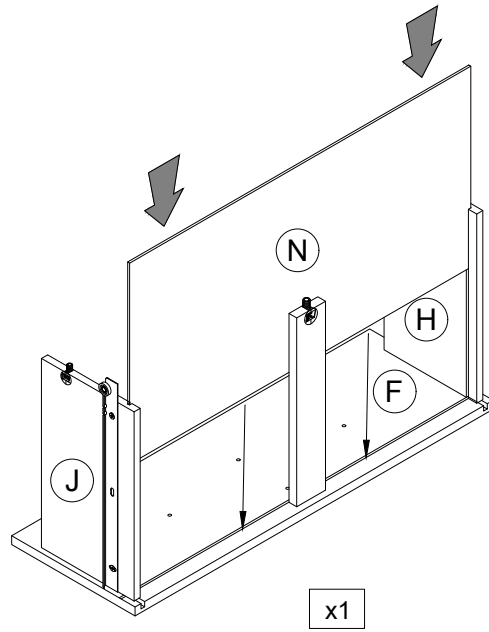
Step 12



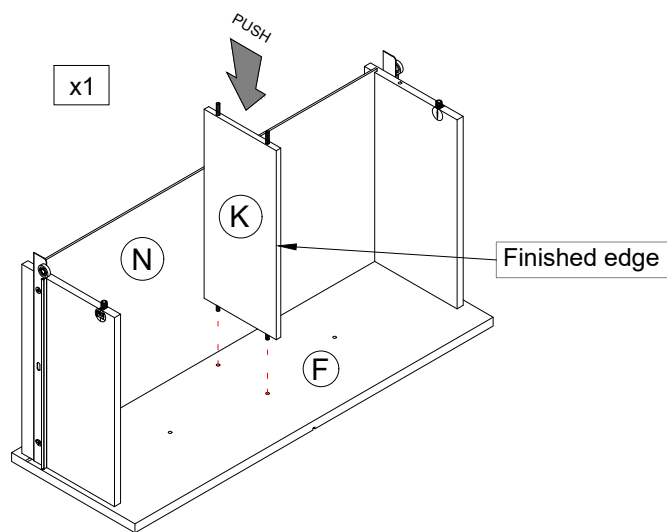
Step 13





Step 14

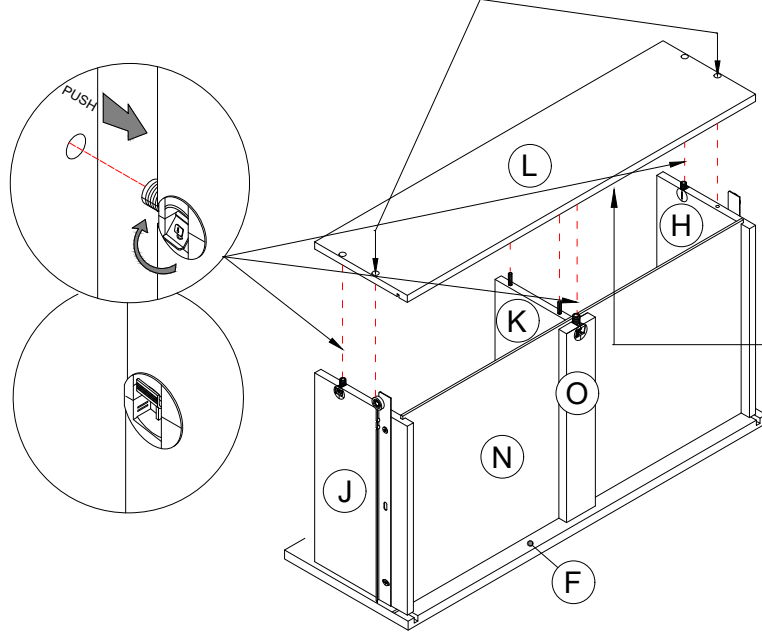


Step 15




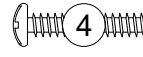
Step 16

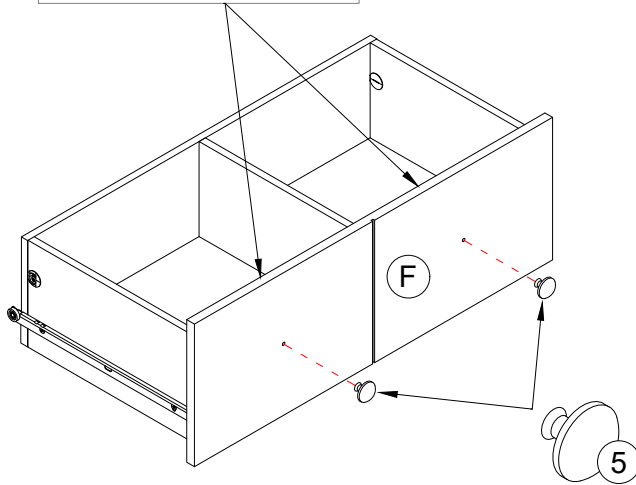
 
1-1/4" FLAT HEAD RATTAN SCREW
(2 used in this step)



x1

Step 17

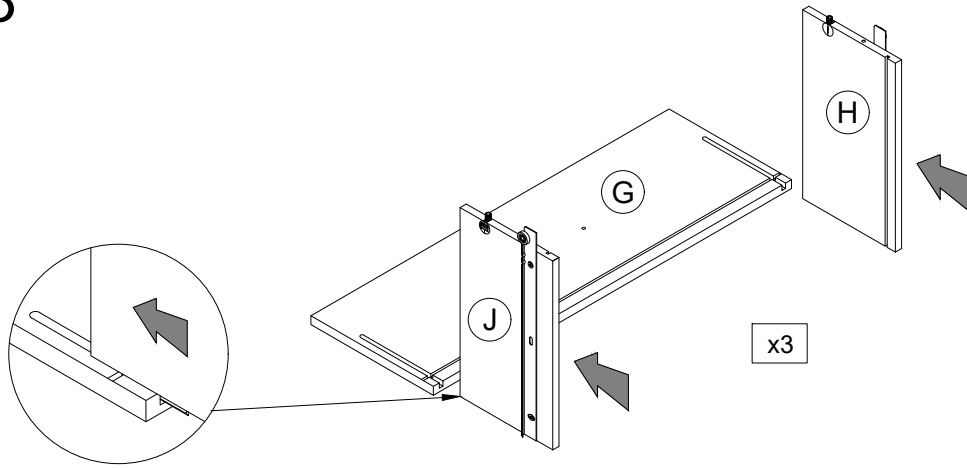
 
1" MACHINE SCREW
(2 used for the PULL)



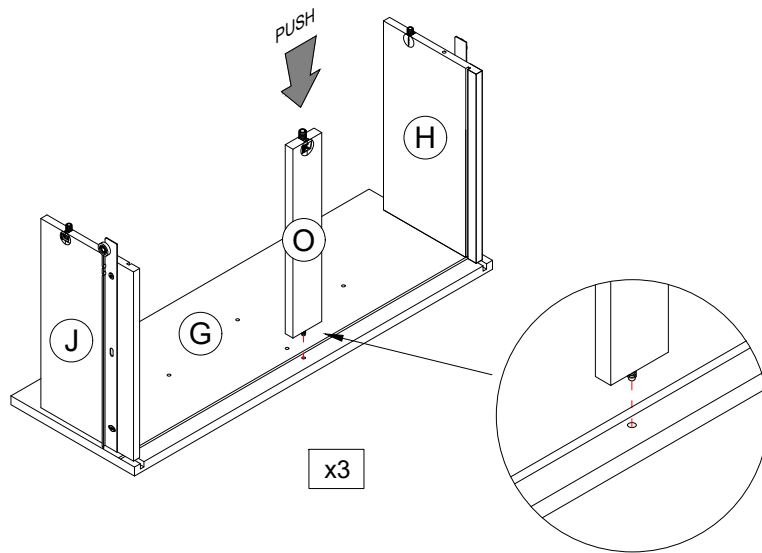
x1

2 used

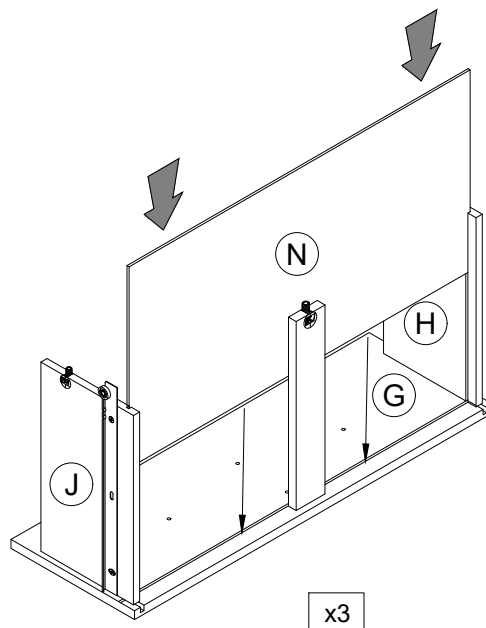
Step 18



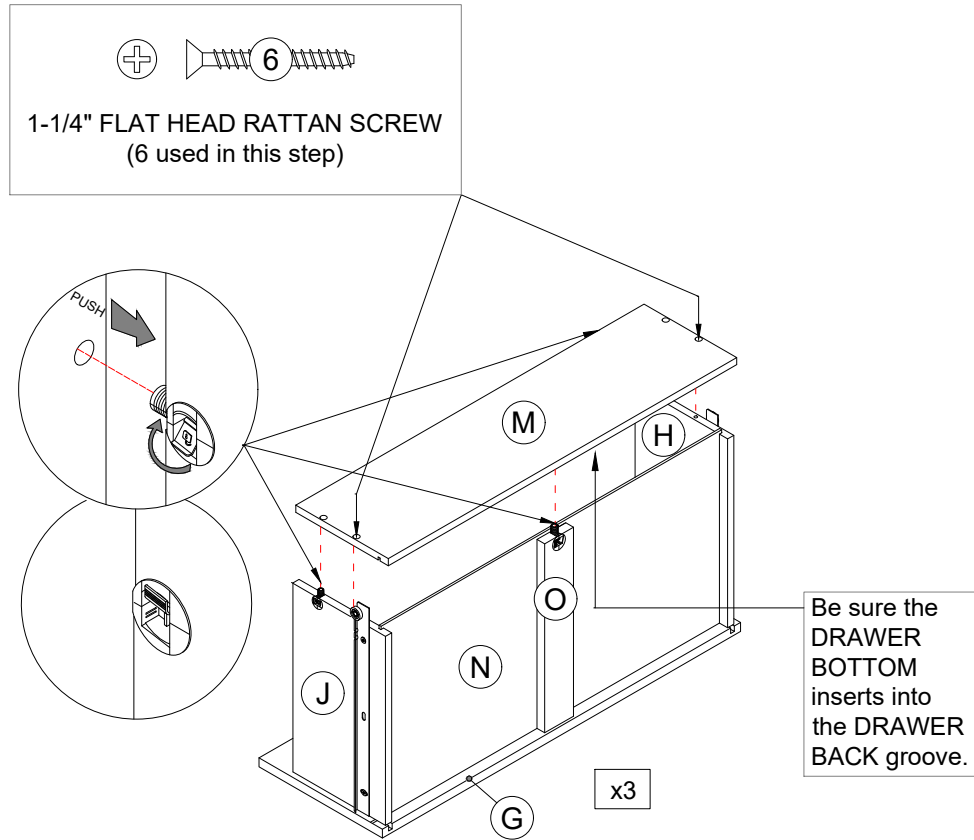
Step 19



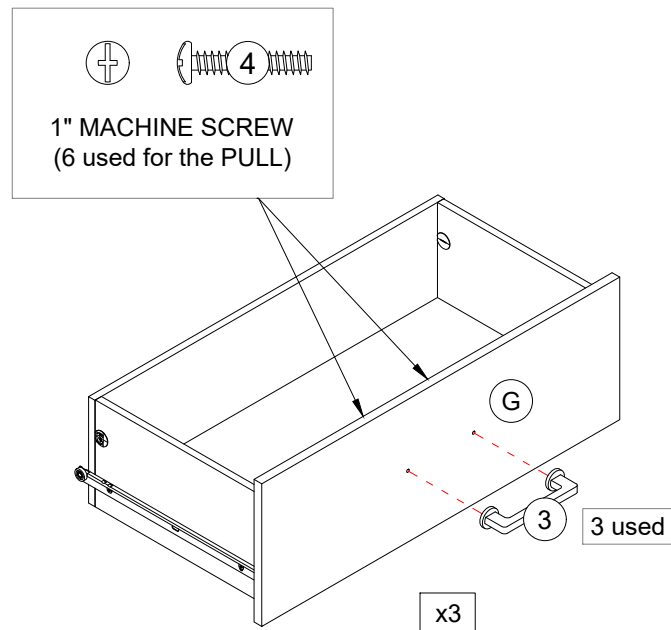
Step 20



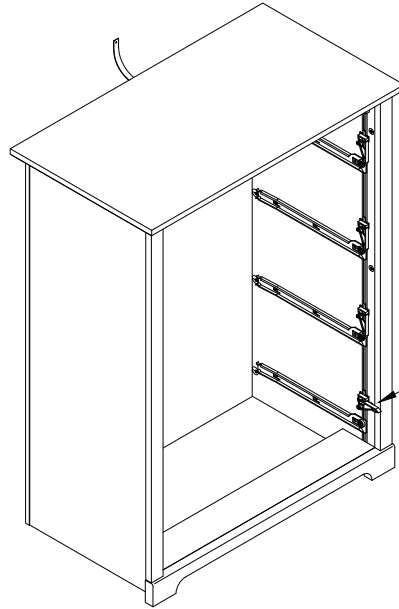
Step 21



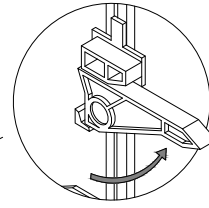
Step 22



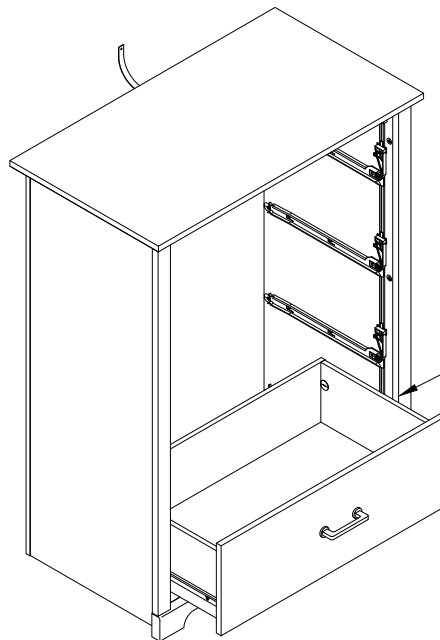
Step 23



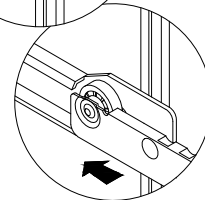
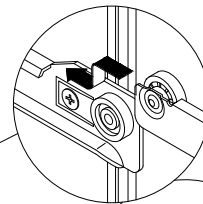
Before inserting the DRAWER, the lever must be in the up position.



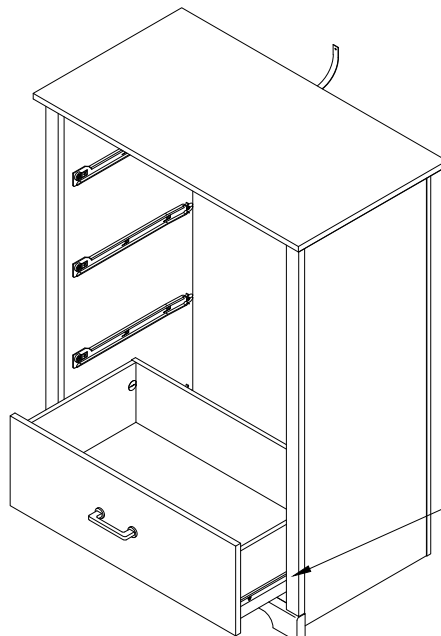
Step 24



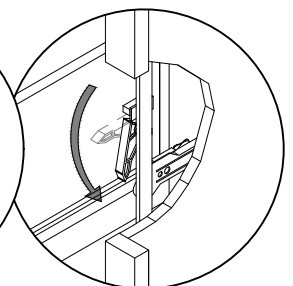
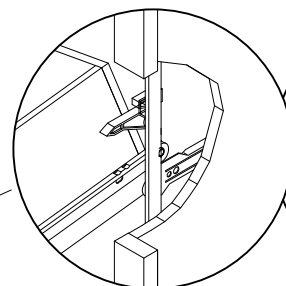
Place the roller on the SLIDE behind the roller on the RAIL.



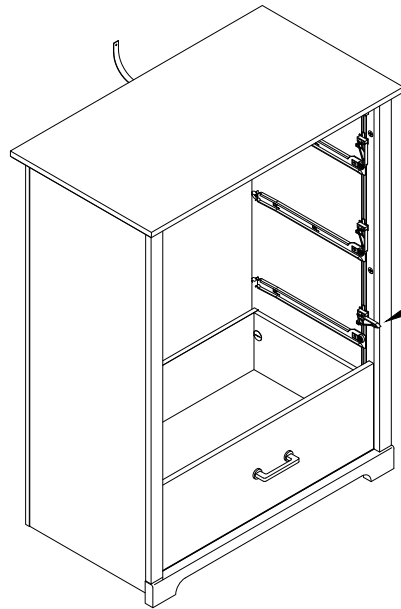
Step 25



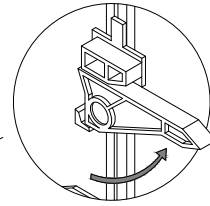
After inserting the DRAWER, the lever must be lowered onto the DRAWER SLIDE. Use the end of your Screwdriver if needed. The DRAWER must be pushed completely into the unit.



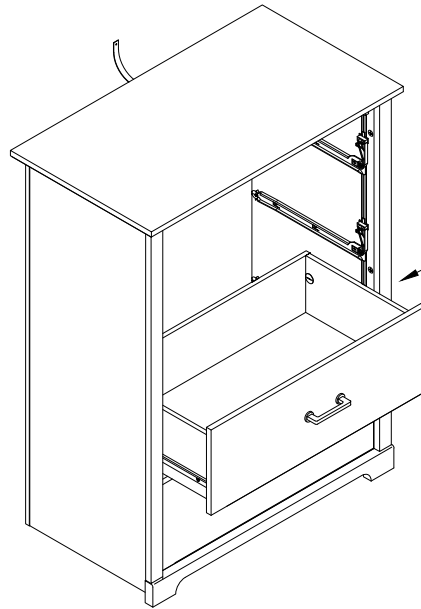
Step 26



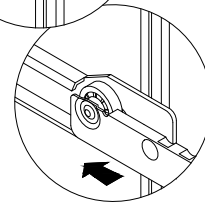
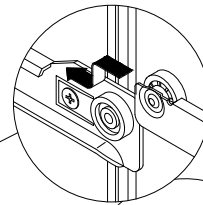
Before inserting the DRAWER, the lever must be in the up position.



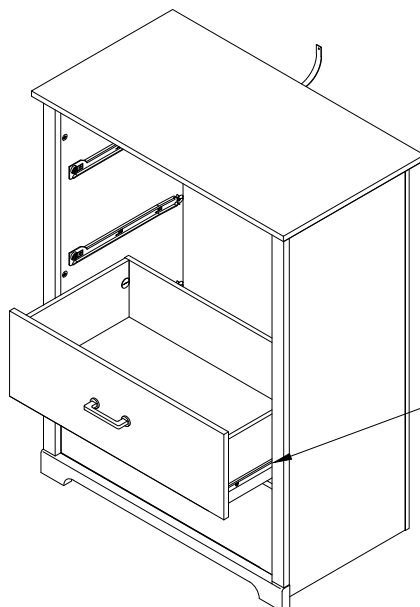
Step 27



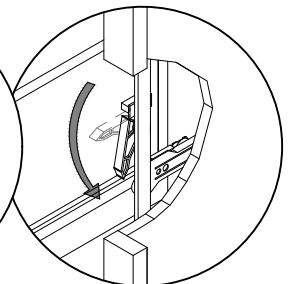
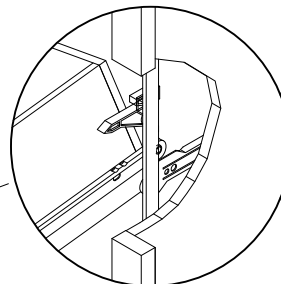
Place the roller on the SLIDE behind the roller on the RAIL.



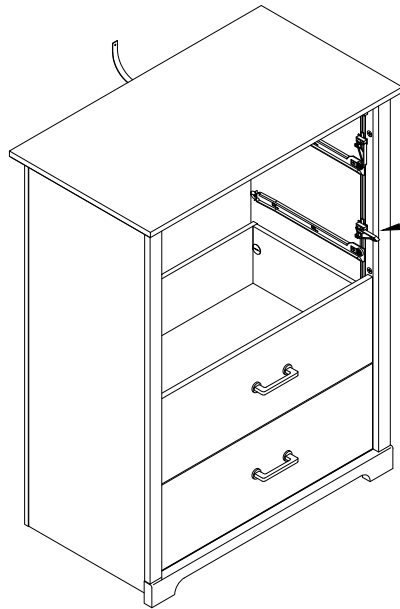
Step 28



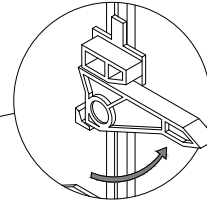
After inserting the DRAWER, the lever must be lowered onto the DRAWER SLIDE. Use the end of your Screwdriver if needed. The DRAWER must be pushed completely into the unit.



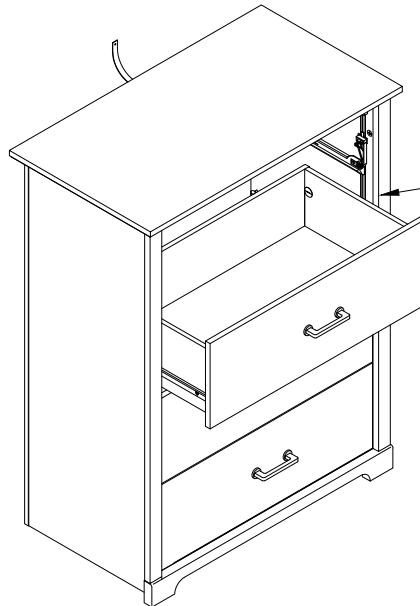
Step 29



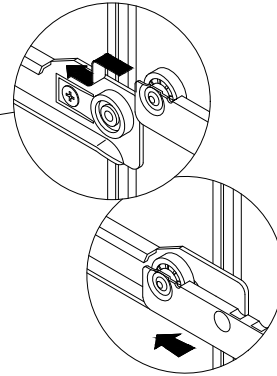
Before inserting the DRAWER, the lever must be in the up position.



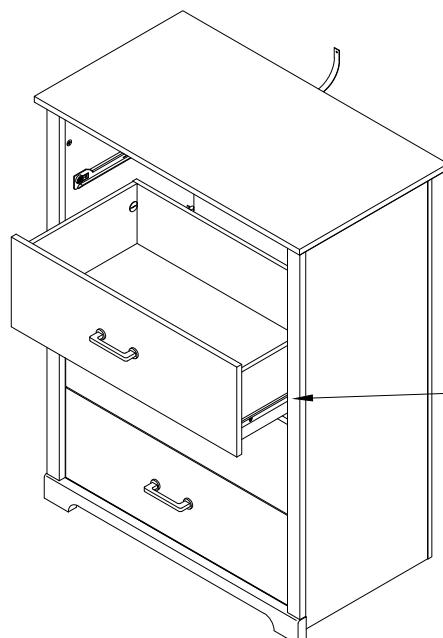
Step 30



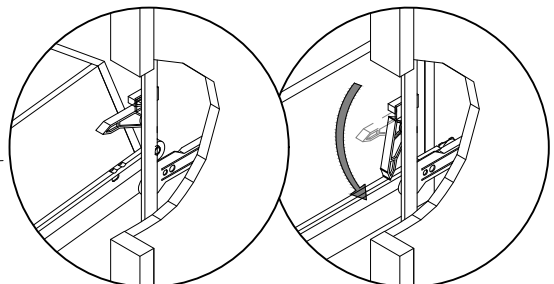
Place the roller on the SLIDE behind the roller on the RAIL.



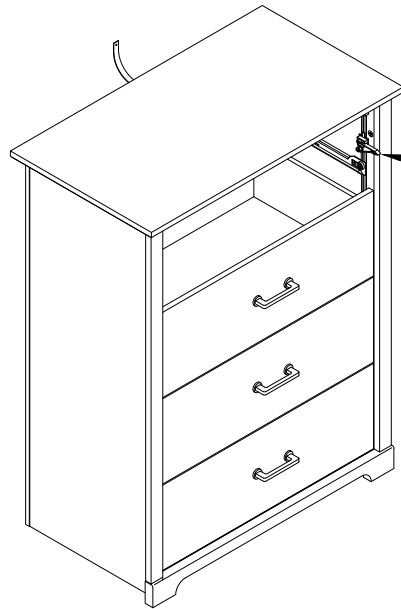
Step 31



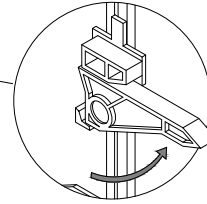
After inserting the DRAWER, the lever must be lowered onto the DRAWER SLIDE. Use the end of your Screwdriver if needed. The DRAWER must be pushed completely into the unit.



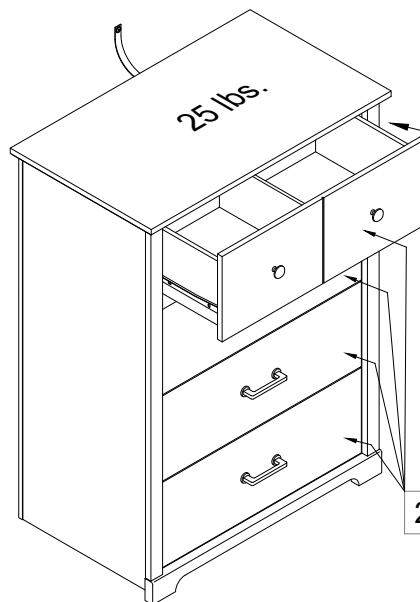
Step 32



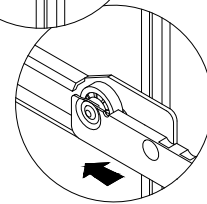
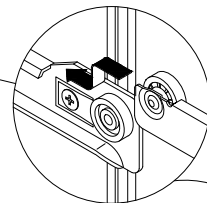
Before inserting the DRAWER, the lever must be in the up position.



Step 33

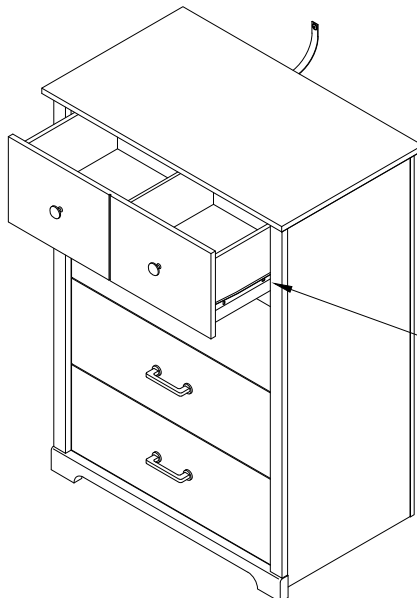


Place the roller on the SLIDE behind the roller on the RAIL.



25 lbs. each drawer

Step 34



After inserting the DRAWER, the lever must be lowered onto the DRAWER SLIDE. Use the end of your Screwdriver if needed. The DRAWER must be pushed completely into the unit.

