

ASSEMBLY INSTRUCTIONS

ITEM# 30073 OLIVE DINING TABLE

Please read instructions carefully

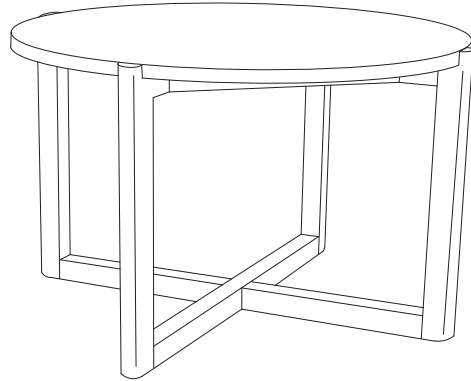
Remove all wrapping materials, staples and packing straps from the carton. Refer to Parts List and Hardware List and ensure they are complete before you start assembling. Place all wooden parts on a clean, flat and soft surface (e.g carpet or rug) to prevent parts from being scratched.

CAUTIONS:

- 1) DO NOT FULLY TIGHTEN BOLTS AND NUTS UNTIL ALL PARTS HAVE BEEN ASSEMBLED.
- 2) DO NOT OVER-TIGHTEN BOLTS AND NUTS UNTIL ALL PARTS HAVE BEEN ASSEMBLED.
- 3) KEEP ALL HARDWARE PARTS OUT OF REACH CHILDREN.

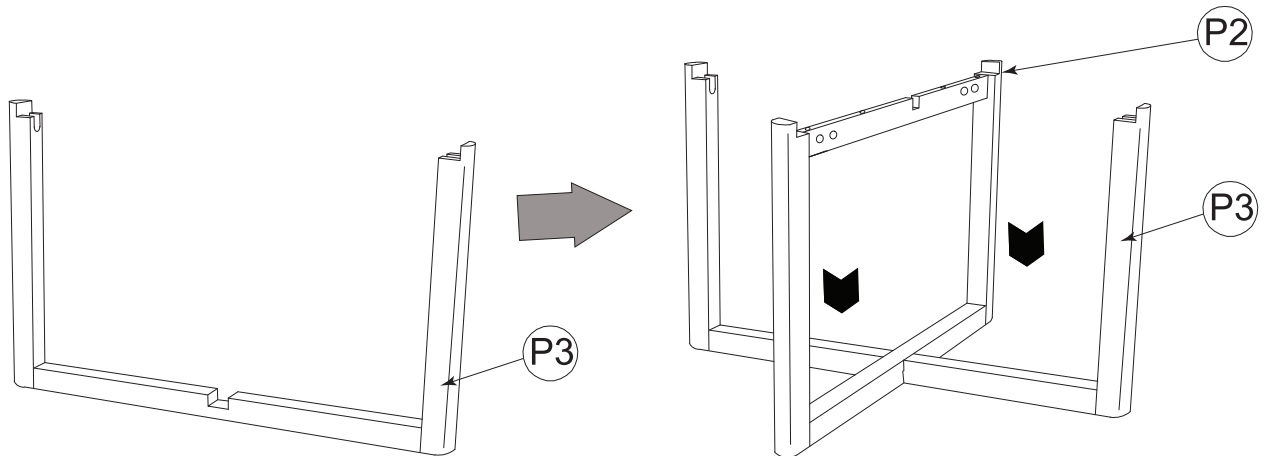
NO.	COMPONENT	QTY.
P1	TABLE TOP	1
P2	LEG FRAME 'D' shape	1
P3	LEG FRAME 'U' shape	1
P4	LOCKING BAR	1
P5	LONG APRON	2
P6	SHORT APRON	2

NO.	HARDWARE LIST	QTY.
H1	M6 x 40mm JCBC SCREW 	19
H2	SPRING WASHER 	19
H3	FLAT WASHER - Big 	8
H4	FLAT WASHER - Small 	11
H5	LEG LEVELER 	4
H6	ALLEN KEY 	1






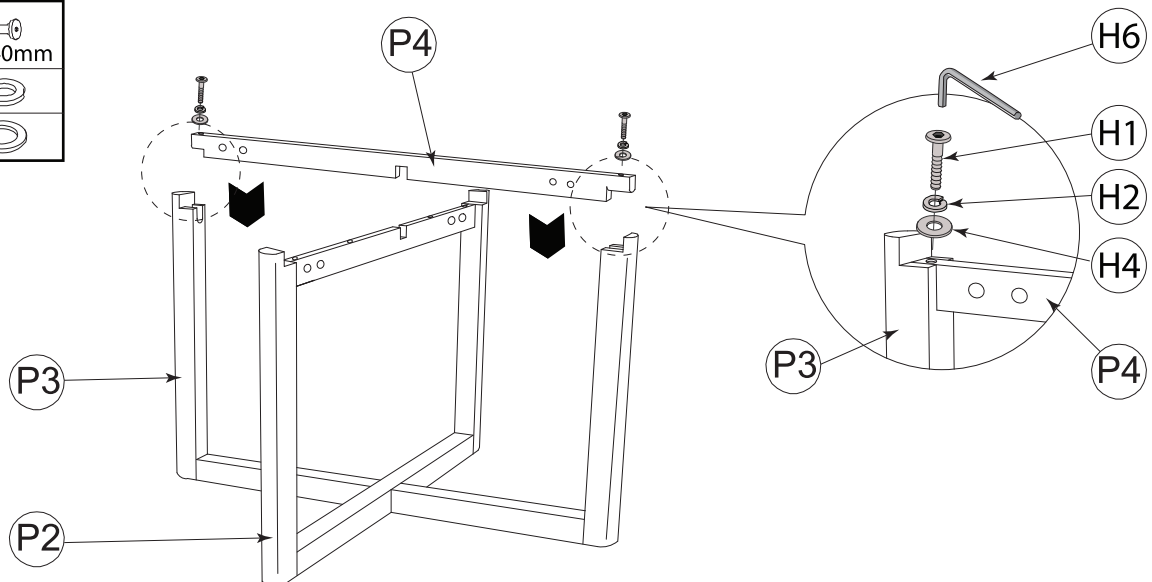
COMPLETE ASSEMBLY

STEP 1






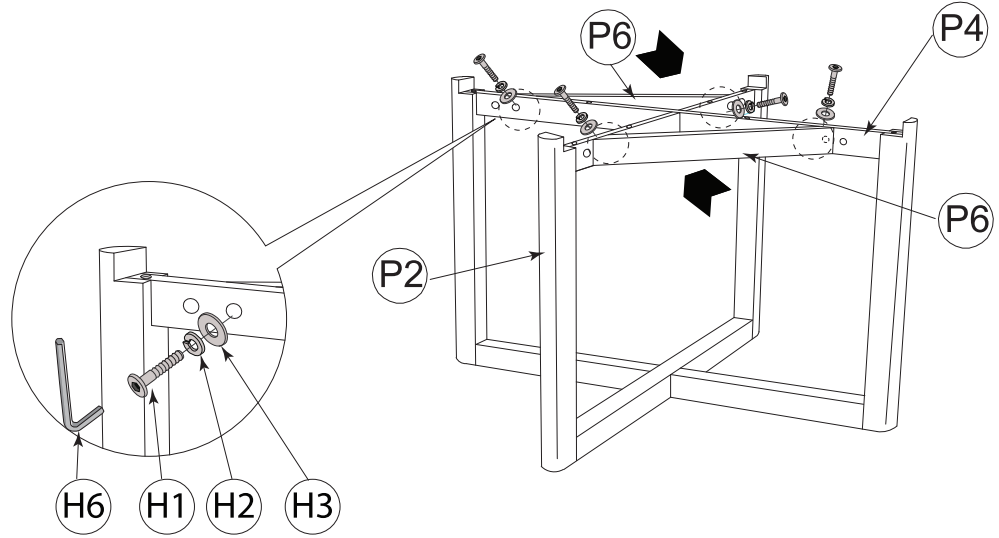
STEP 2

H1 x 2	 M6 x 40mm
H2 x 2	
H4 x 2	






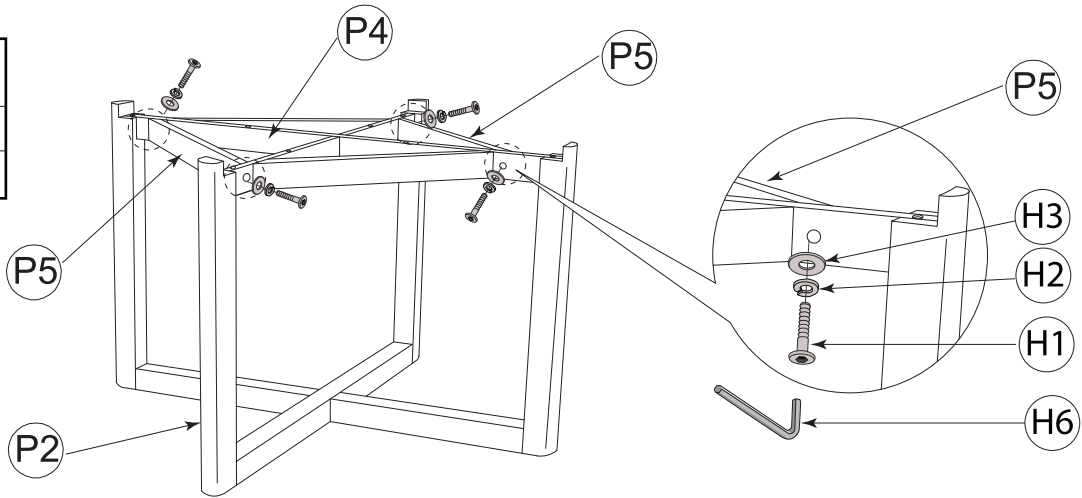
STEP 3

H1 x 4	
M6 x 40mm	
H2 x 4	
H3 x 4	



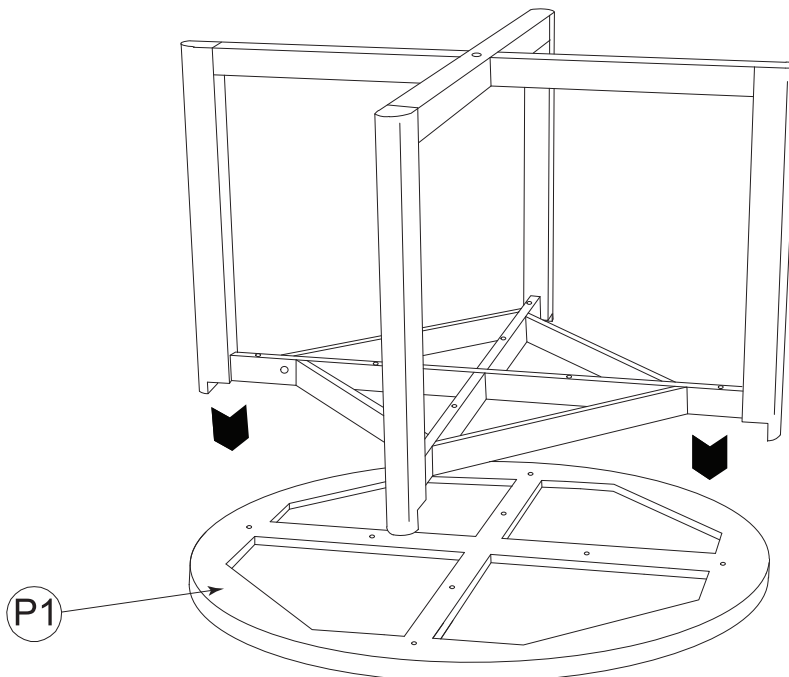
STEP 4

H1 x 4	
M6 x 40mm	
H2 x 4	
H3 x 4	

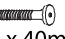


STEP 5


TURN THE ASSEMBLED LEG FRAME UPSIDE DOWN AND READY TO ATTACH TO THE TABLE TOP (P1)

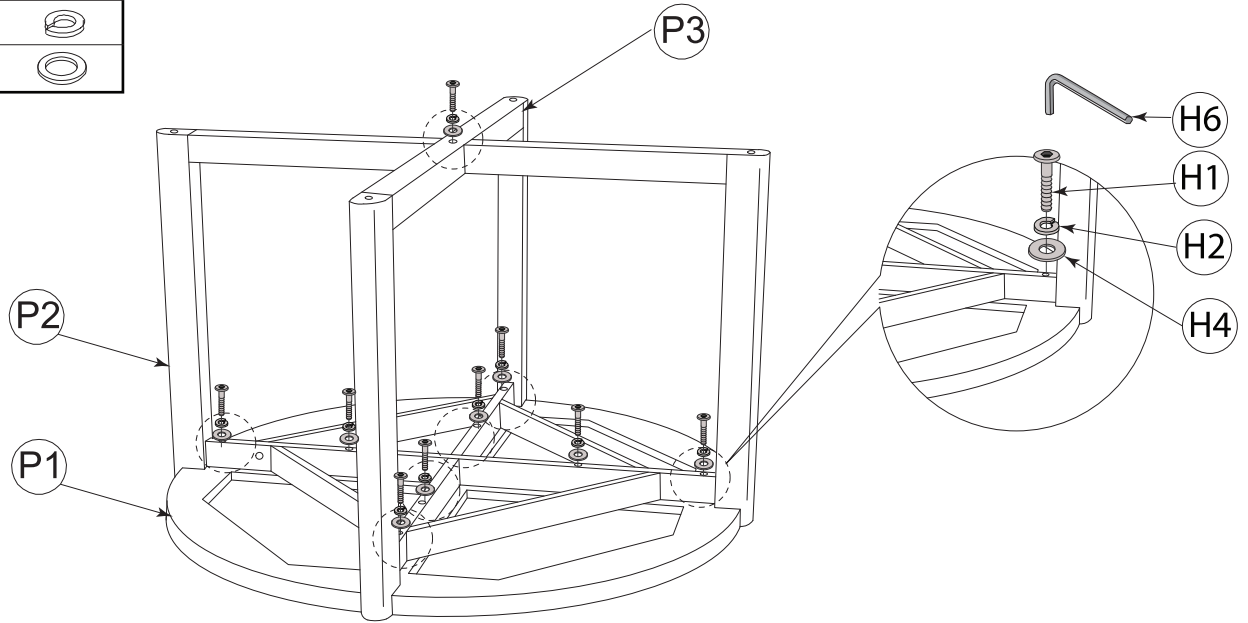


STEP 6

H1 x 9  M6 x 40mm

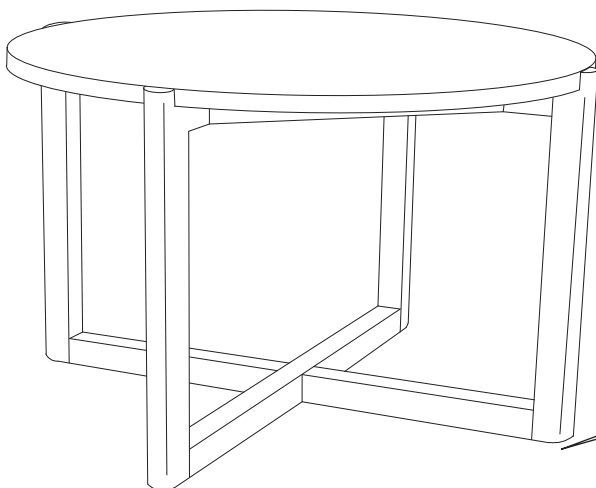
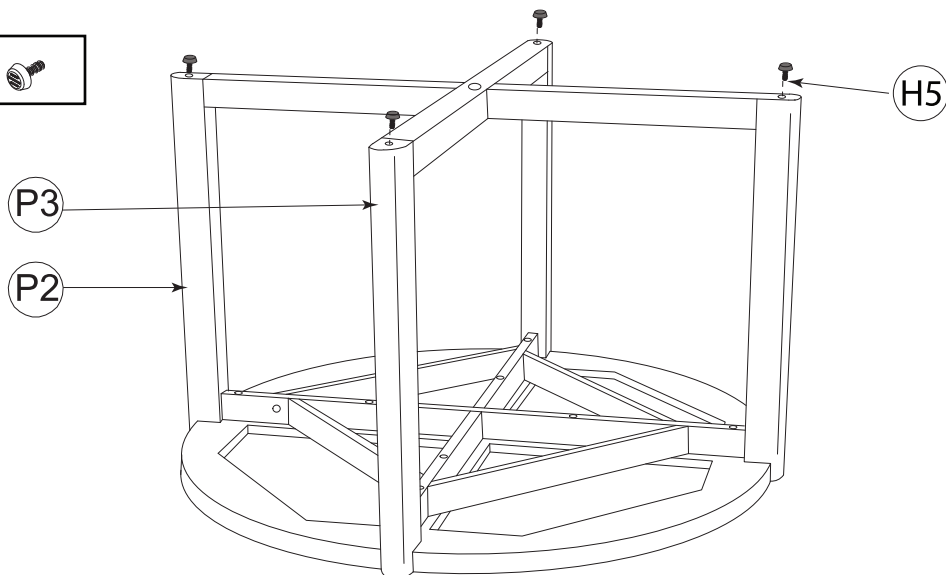
H2 x 9 

H4 x 9 



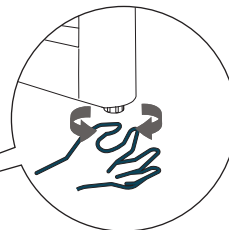
STEP 7

H5 x 4 



CAREFULLY POSITION THE TABLE UPRIGHT WITH THE ASSISTANCE OF TWO OR MORE ADULTS.

ENSURE THAT THE TABLE STABLE ON A FLAT, HARD SURFACE, AND THEN SECURELY TIGHTEN ALL THE BOLTS.



ADJUST THE LEVELER (H5) TO LEVEL THE TABLE