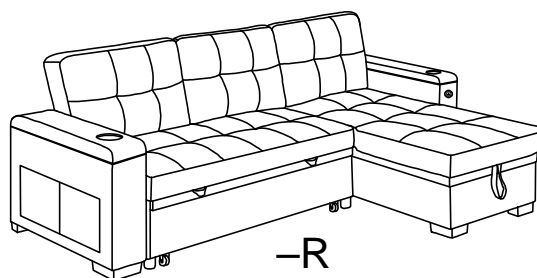
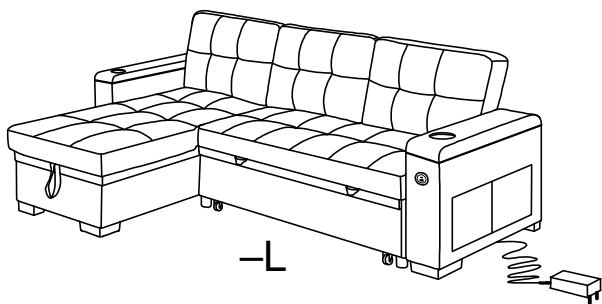


ASSEMBLY INSTRUCTIONS

ITEM NO.: V81445/V81446/V81447



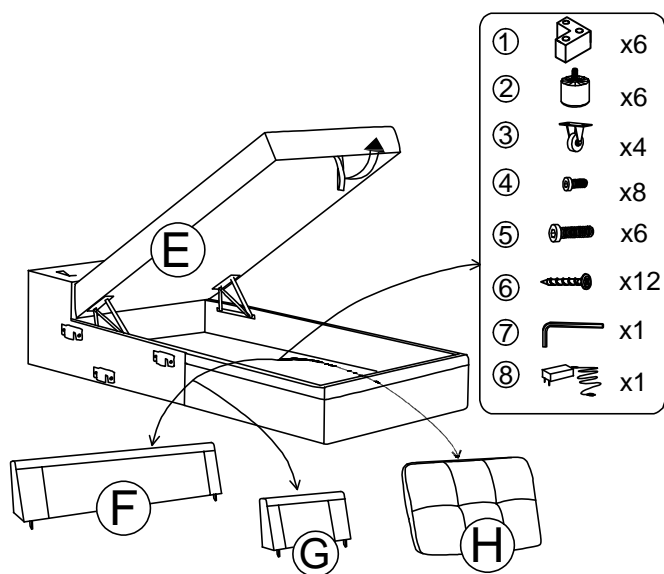
PARTS LIST

<p>A x1</p>	<p>B x1</p>	<p>C x1</p>	<p>D x1</p>
<p>E x1</p>	<p>F x1</p>	<p>G x1</p>	<p>H x3</p>

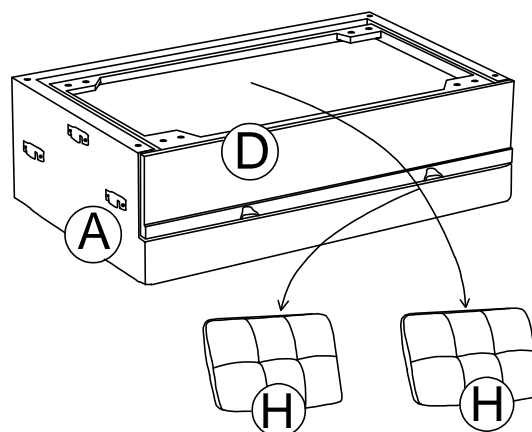
HARDWARE LIST

<p>1 x6</p>	<p>2 x6</p>	<p>3 x4</p>	<p>4 x8</p>	<p>5 x6</p>	<p>6 x12</p>	<p>7 x1</p>	<p>8 x1</p>
--------------------	--------------------	--------------------	--------------------	--------------------	---------------------	--------------------	--------------------

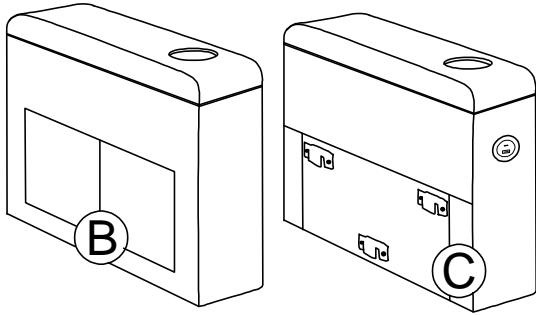
BOX -1 HARDWARE LIST



BOX -2 HARDWARE LIST



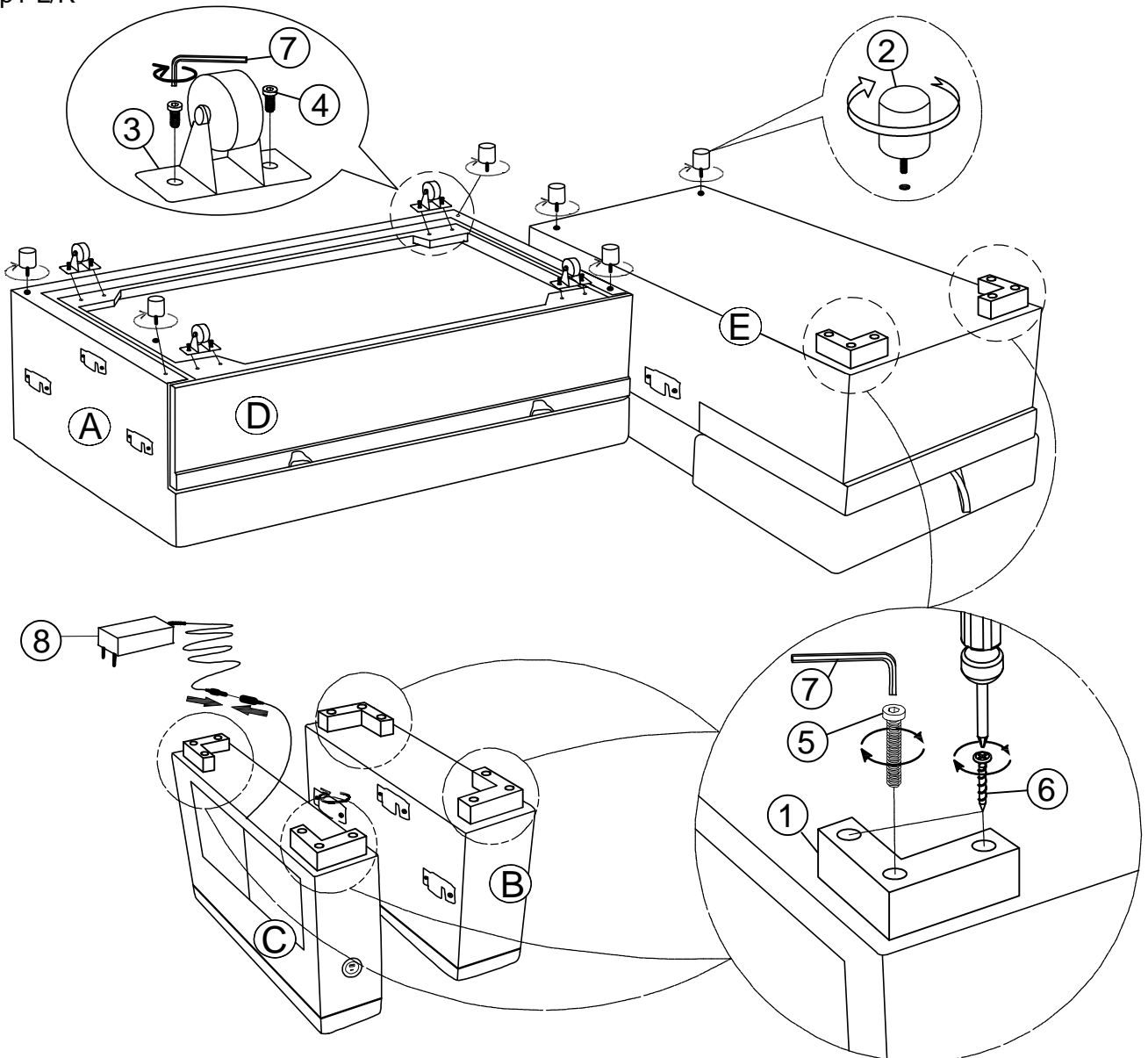
BOX -3 HARDWARE LIST



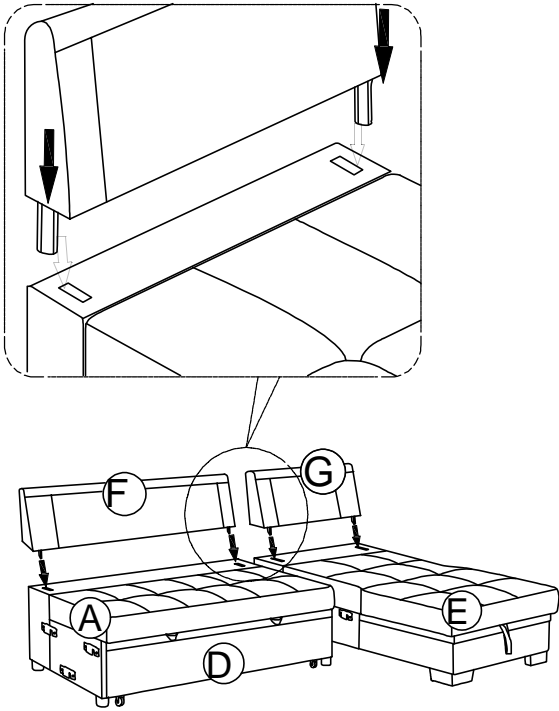
Unpacking steps:

1. BOX-1
2. BOX-2
3. BOX-3

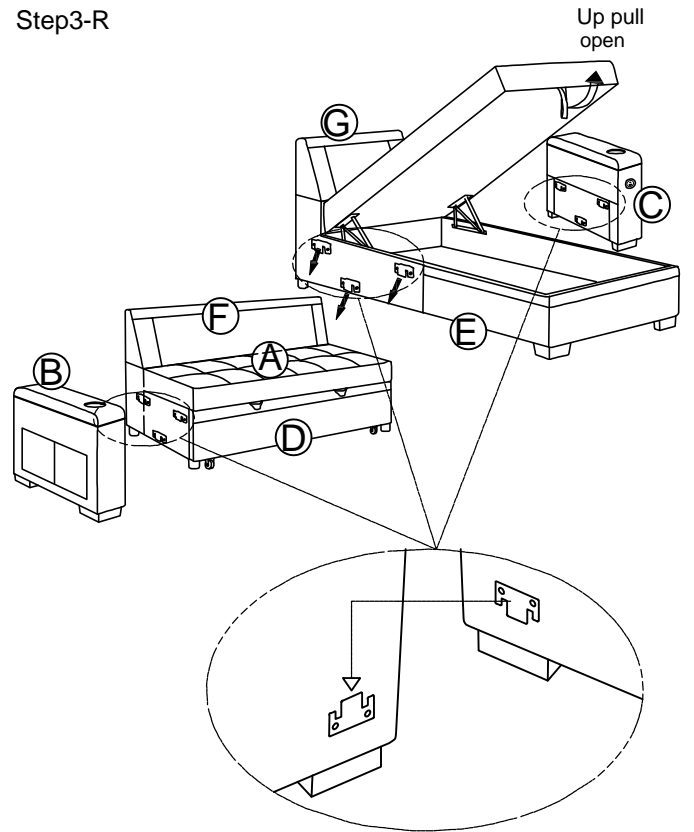
Step1-L/R



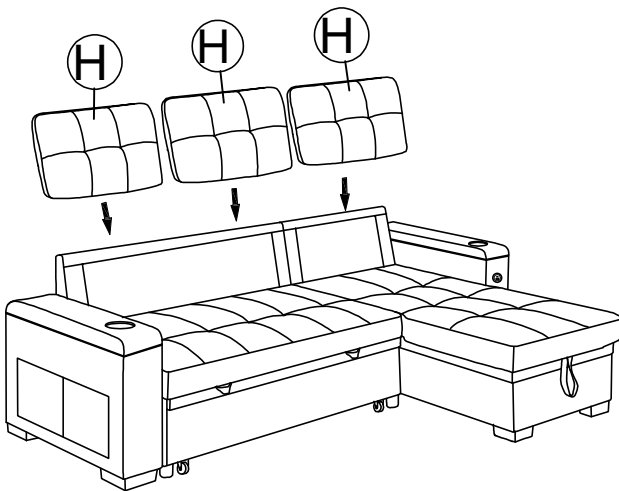
Step2-L/R



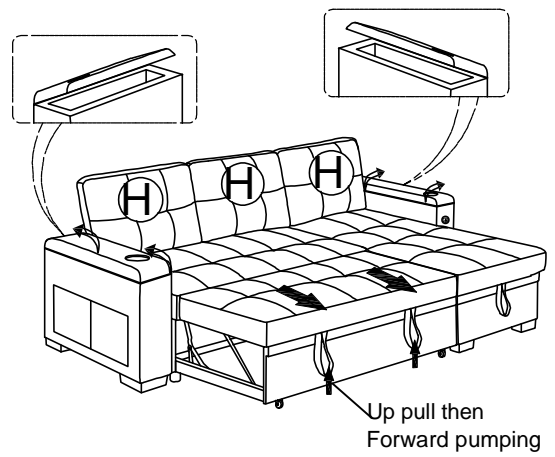
Step3-R



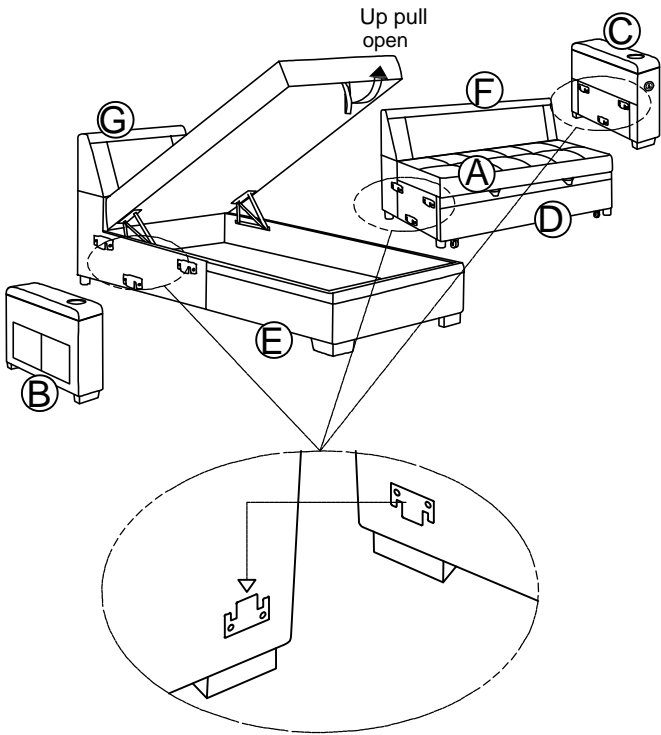
Step4-R



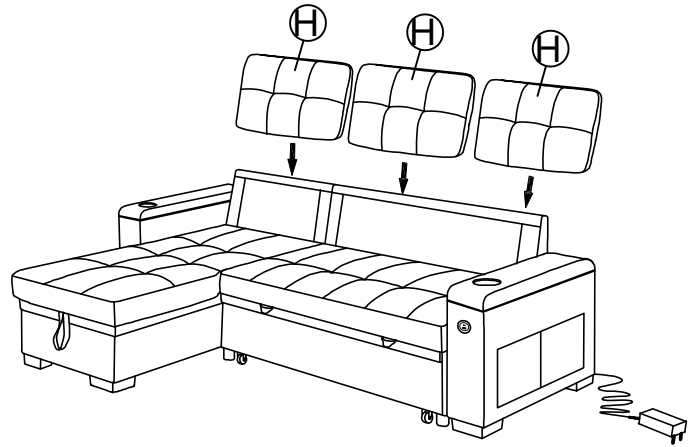
Step5-R



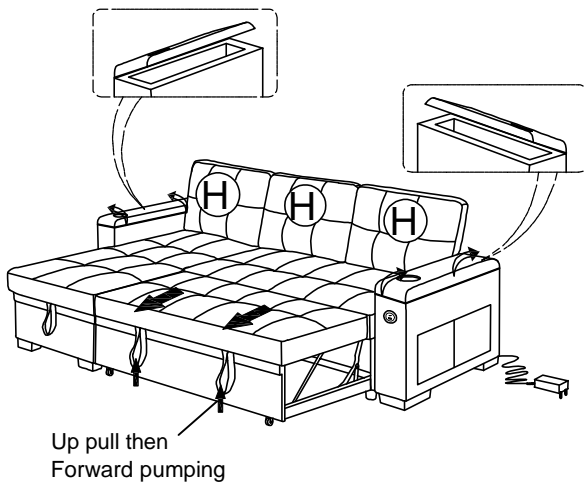
Step3-L



Step4-L



Step5-L



Step6-L

