





ASSEMBLY INSTRUCTION

ROUND DINING TABLE


30070

Caution: Please read instructions thoroughly before unpacking assembly parts. Sharp, exposed staple tips can cause injury, therefore, for your protection, please remove any exposed staples used in packing.

1. We recommend that you should assemble this product with the assistance of another person, this will make assembly easier, and will help to eliminate damage to the product or injury to persons during assembly.
2. Be sure to check all packing materials carefully for small parts that may have come loose inside the carton during shipment.
3. Please put all parts on a non-abrasive floor before assembly, and follow the assembly steps to assemble your newly purchased product correctly and efficiently.
4. Please do not fully tighten any screws or bolts until last step.
5. Periodically check to ensure that all connectores (bolts,screw,etc) are tight.

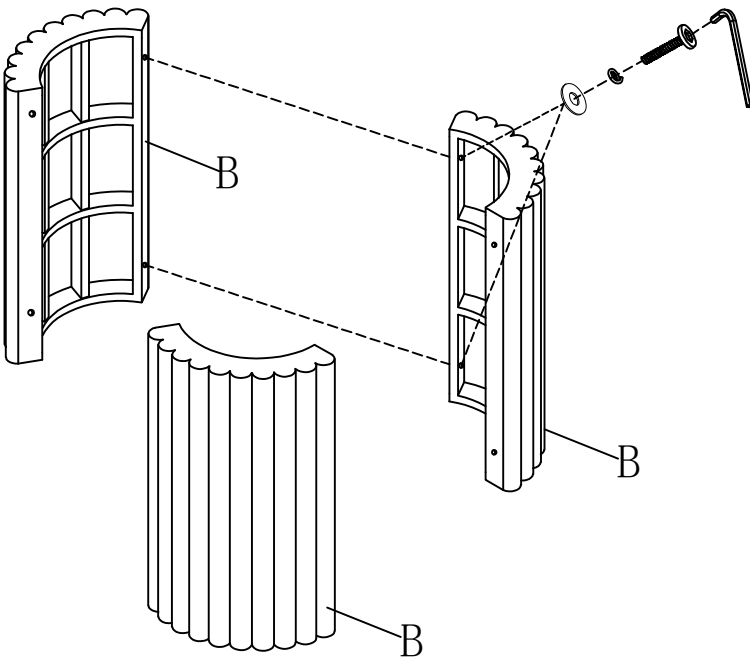
PART LIST			
No.	PART DESC		Q'TY
A		TABLE TOP	1PC
B		POST	3PCS
C		CONNECTING PANEL	1PC
D		BOTTOM BASE	1PC

HARDWARE LIST			
No.	HARDWARE DESC		Q'TY
1		ALLEN BOLT (5/16"x1-3/8")	16PCS
2		SPRING WASHER (5/16)	16PCS
3		FLAT WASHER (5/16"x19mm)	16PCS
4		ALLEN KEY (M5mm)	1PC

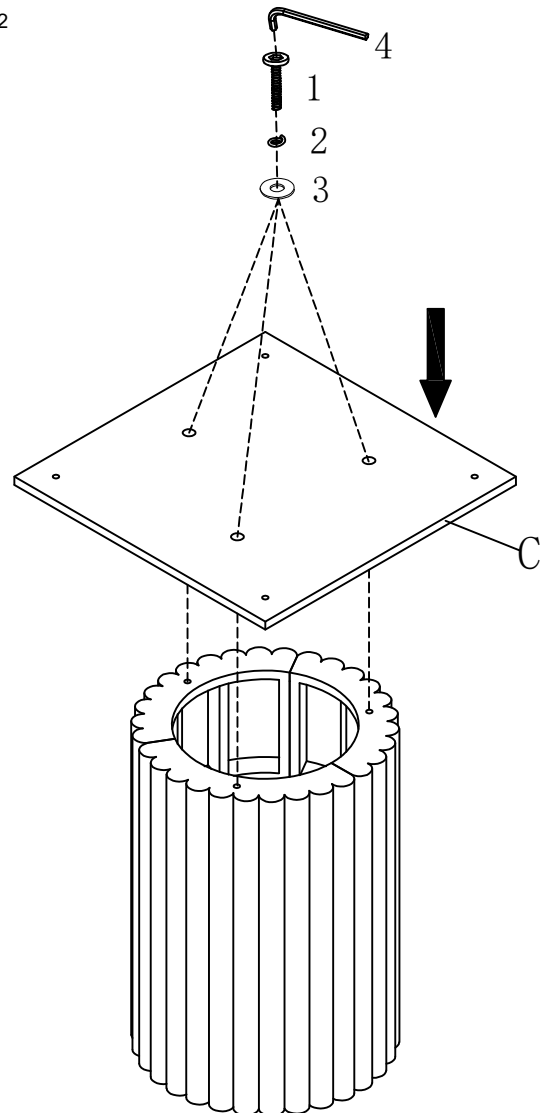
 Only tighten all bolts when all bolts aligned with bolt inserts.
Notice: Estimated assembly time: 10-15 min

Notice: Please don't over tighten all screws until last step.

STEP 1



STEP 2

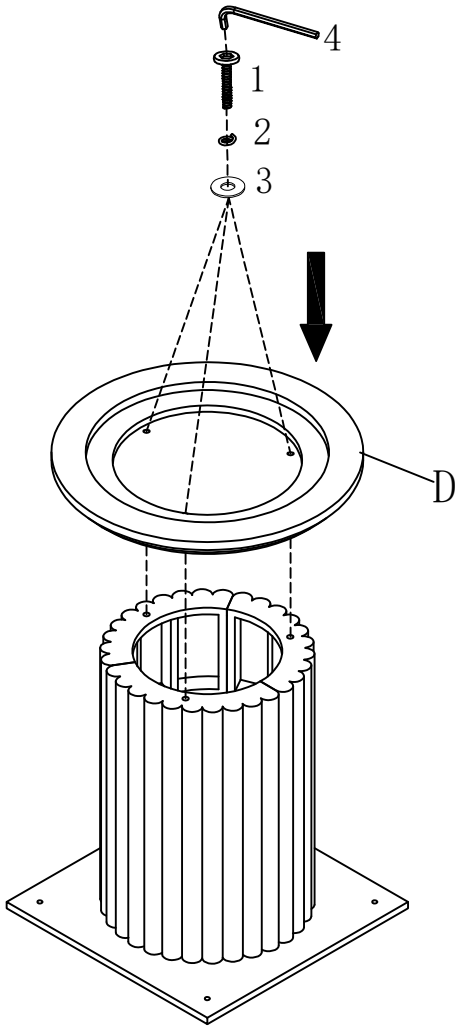


ASSEMBLY INSTRUCTION

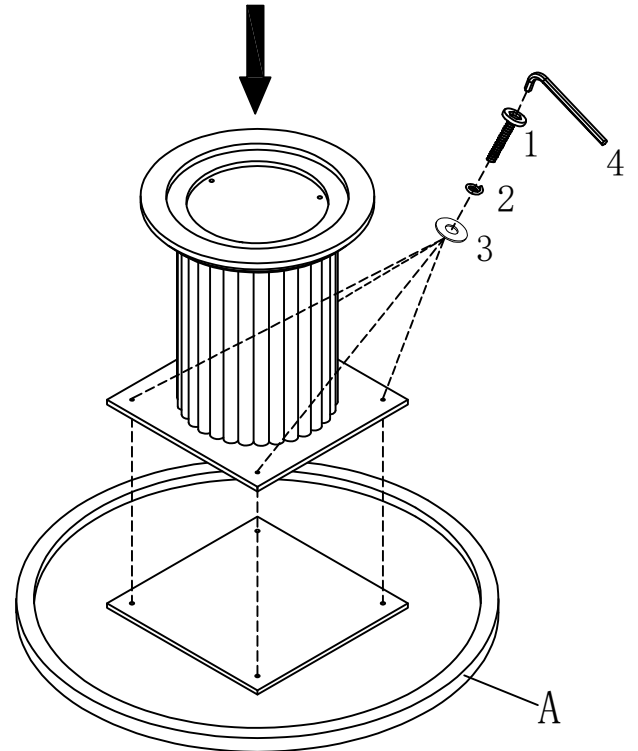
ROUND DINING TABLE

30070

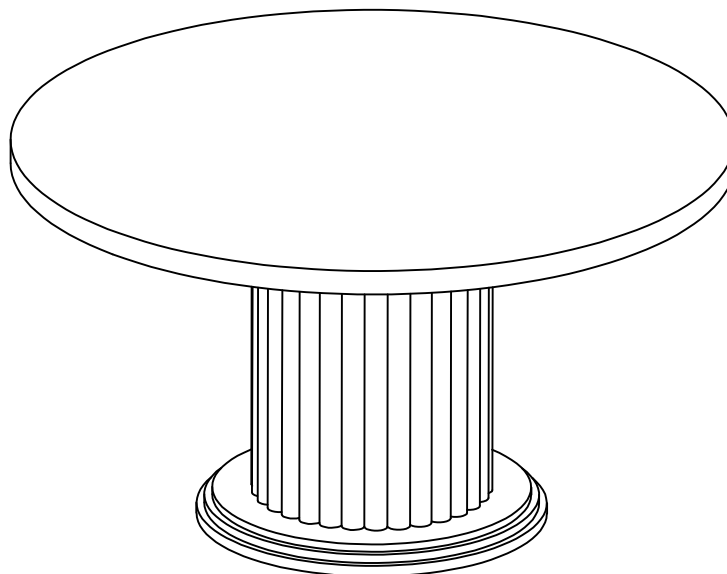
STEP 3



STEP 4



STEP 5: Completed



NOTE : Periodically check to ensure that all connectors (bolt, screws, etc.) are tight.