

ASSEMBLY INSTRUCTION




DINING TABLE

30066-T

Caution: Please read instructions thoroughly before unpacking assembly parts. Sharp, exposed staple tips can cause injury, therefore, for your protection, please remove any exposed staples used in packing.





1. We recommend that you should assemble this product with the assistance of another person, this will make assembly easier, and will help to eliminate damage to the product or injury to persons during assembly.
2. Be sure to check all packing materials carefully for small parts that may have come loose inside the carton during shipment.
3. Please put all parts on a non-abrasive floor before assembly, and follow the assembly steps to assemble your newly purchased product correctly and efficiently.
4. Please do not fully tighten any screws or bolts until last step.
5. Periodically check to ensure that all connectors (bolts, screw, etc) are tight.

PART LIST

No.	PART DESC	Q'TY
A	 TABLE TOP	1
B	 TABLE LEG	4
C	 MIDDLE SHELF	1

⚠ Only tighten all bolts when all bolts aligned with bolt inserts .

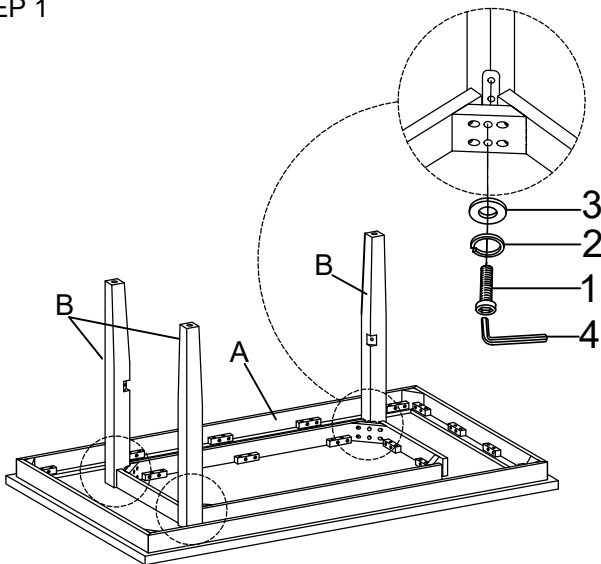
HARDWARE LIST

No.	HARDWARE DESC	Q'TY
1	 ALLEN BOLT (Ø5/16"x2-1/4")	12
2	 SPRING WASHER (5/16)	12
3	 FLAT WASHER (5/16 "x19x1.5mm)	12
4	 ALLEN KEY M5 x 65mm	1

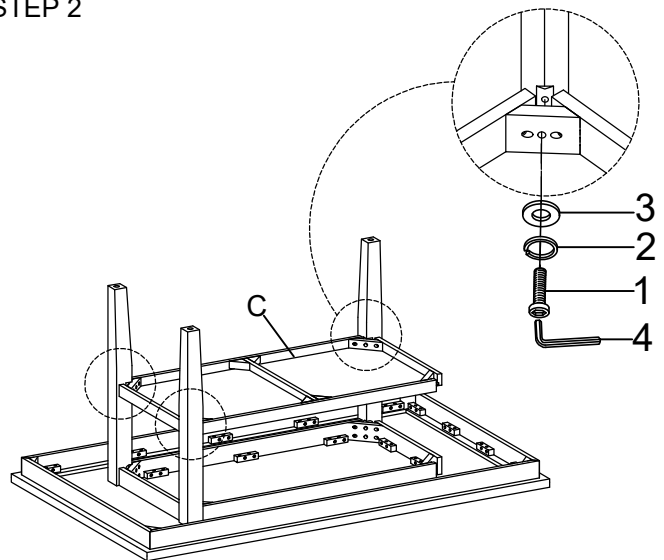
Notice:Please don't over tighten all screws until last step.

Notice:Estimated assembly time:10-15 min

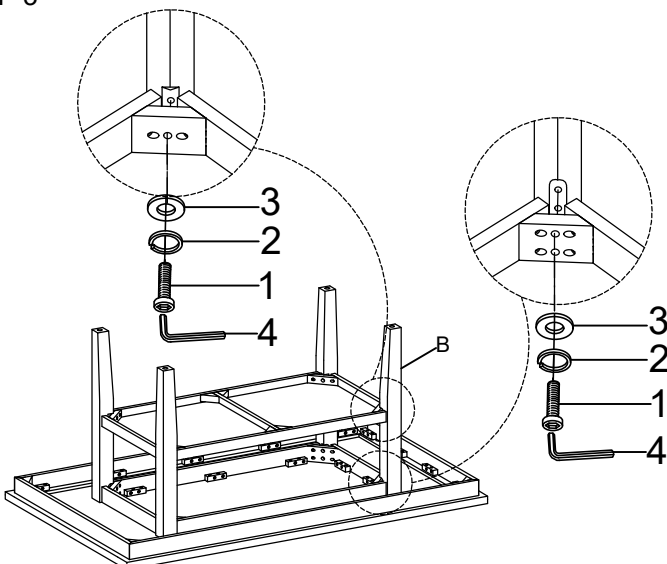
STEP 1



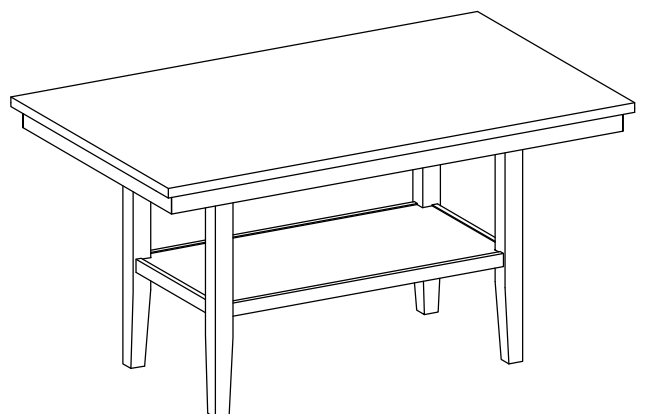
STEP 2



STEP 3



STEP 4 : Completed



NOTE : Periodically check to ensure that all connectors (bolt, screws, etc.) are tight.