




Assembly Instruction for SIDE CHAIR 30069






Caution: Please read instructions thoroughly before unpacking assembly parts. Sharp, exposed staple tips can cause injury, therefore, for your protection, please remove any exposed staples used in packing.


1. We recommend that you should assemble this product with the assistance of another person, this will make assembly easier, and will help to eliminate damage to the product or injury to persons during assembly.
2. Be sure to check all packing materials carefully for small parts that may have come loose inside the carton during shipment.
3. Please put all parts on a non-abrasive floor before assembly, and follow the assembly steps to assemble your newly purchased product correctly and efficiently.
4. Please do not fully tighten any screws or bolts until last step.
5. Periodically check to ensure that all connectores (bolts,scew,etc) are tight.

PART LIST

NO	DESCRIPTION	QTY
A	 Backrest	1
B	 Seat	1
C	 Front leg	2

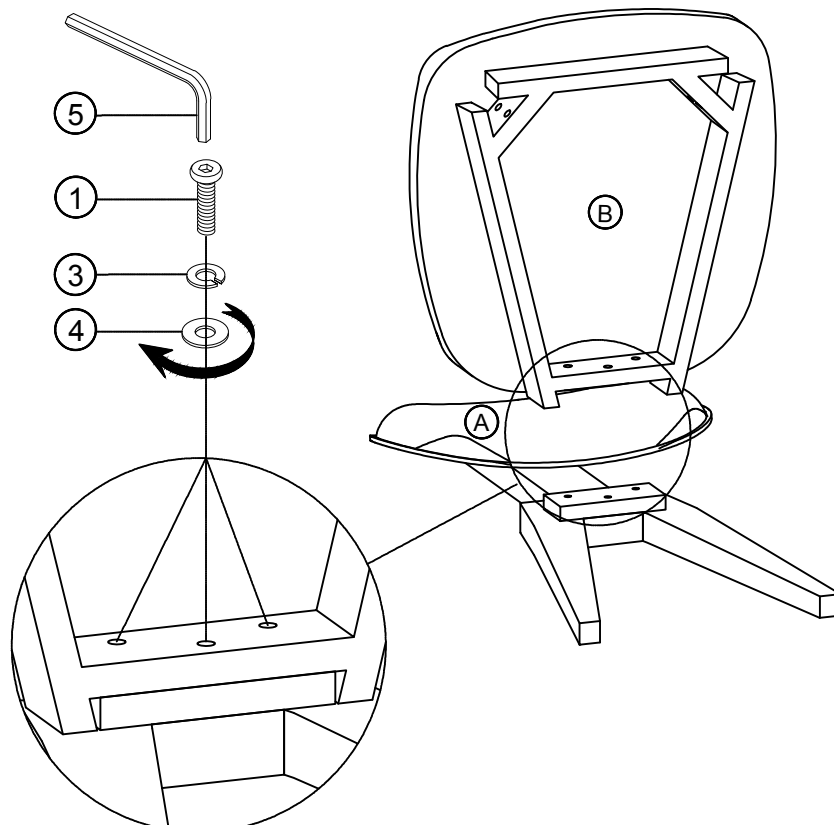
HARDWARE LIST

NO	DESCRIPTION	QTY
1	 ALLEN BOLT(Ø5/16"*1.75")	3
2	 ALLEN BOLT(Ø5/16"*3")	4
3	 SPRING WASHER (Ø5/16")	7
4	 FLAT WASHER (5/16\'' x19)	7
5	 ALLEN KEY(M5*84)	1

 Only tighten all bolts when all bolts aligned with bolt inserts.

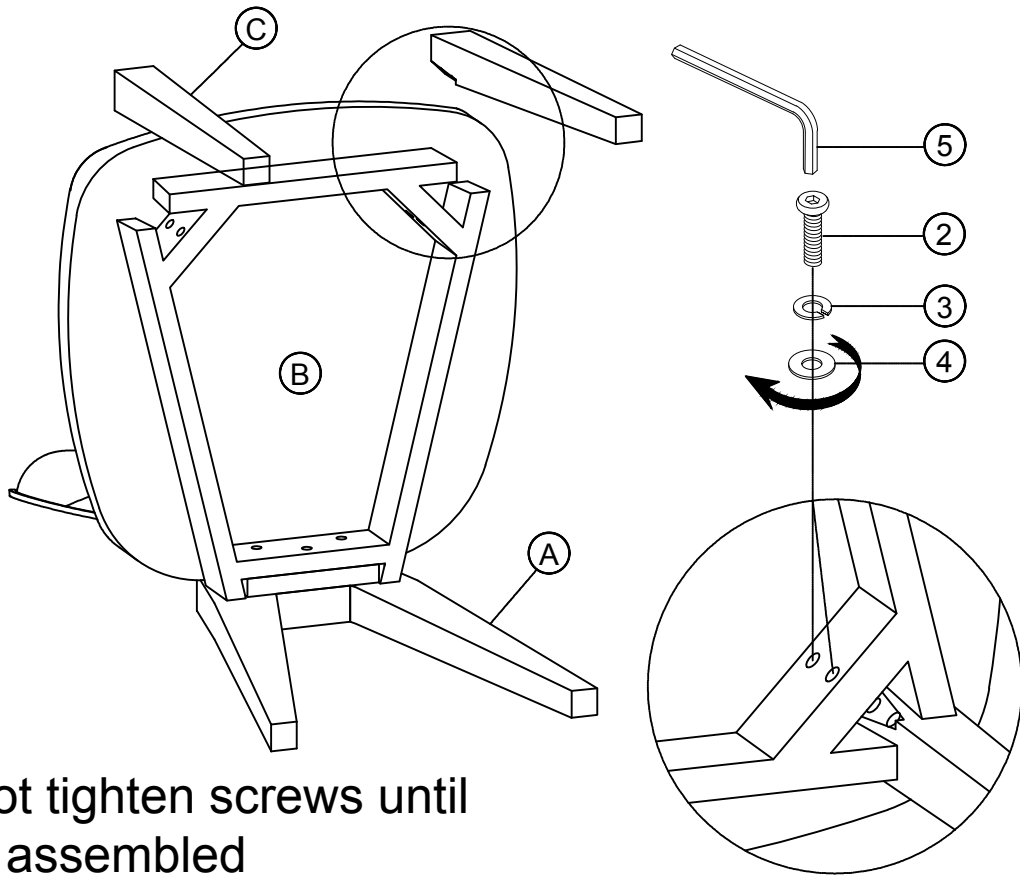
Notice:Estimated assembly time: 3-8min

Step 1



Assembly Instruction for SIDE CHAIR 30069

Step 2



Note: Do not tighten screws until completely assembled

Step 3: Completed

