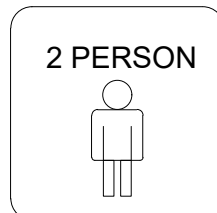
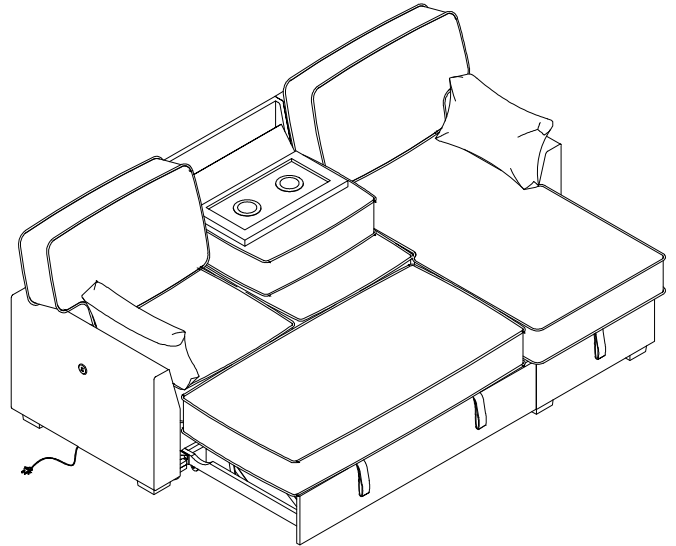
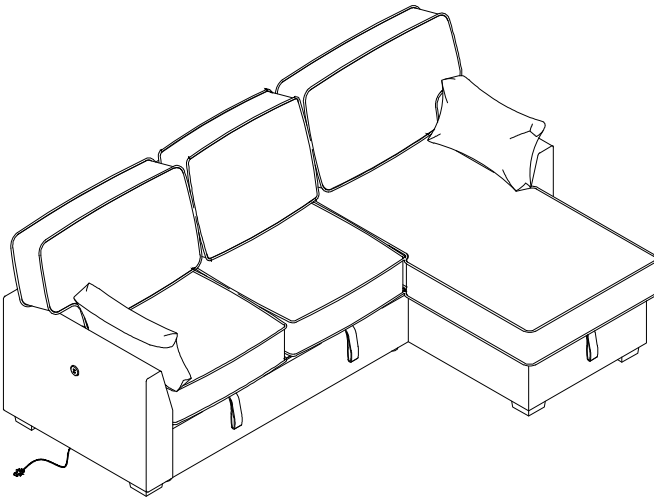
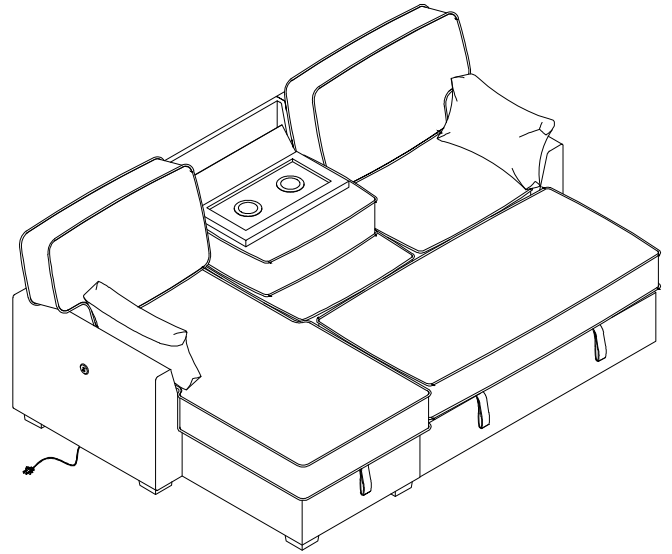
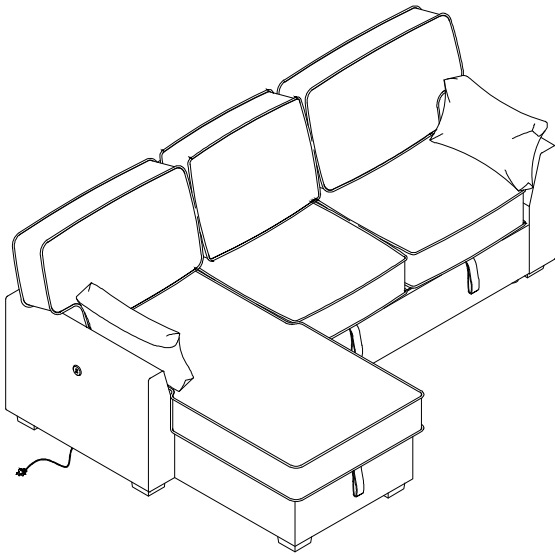
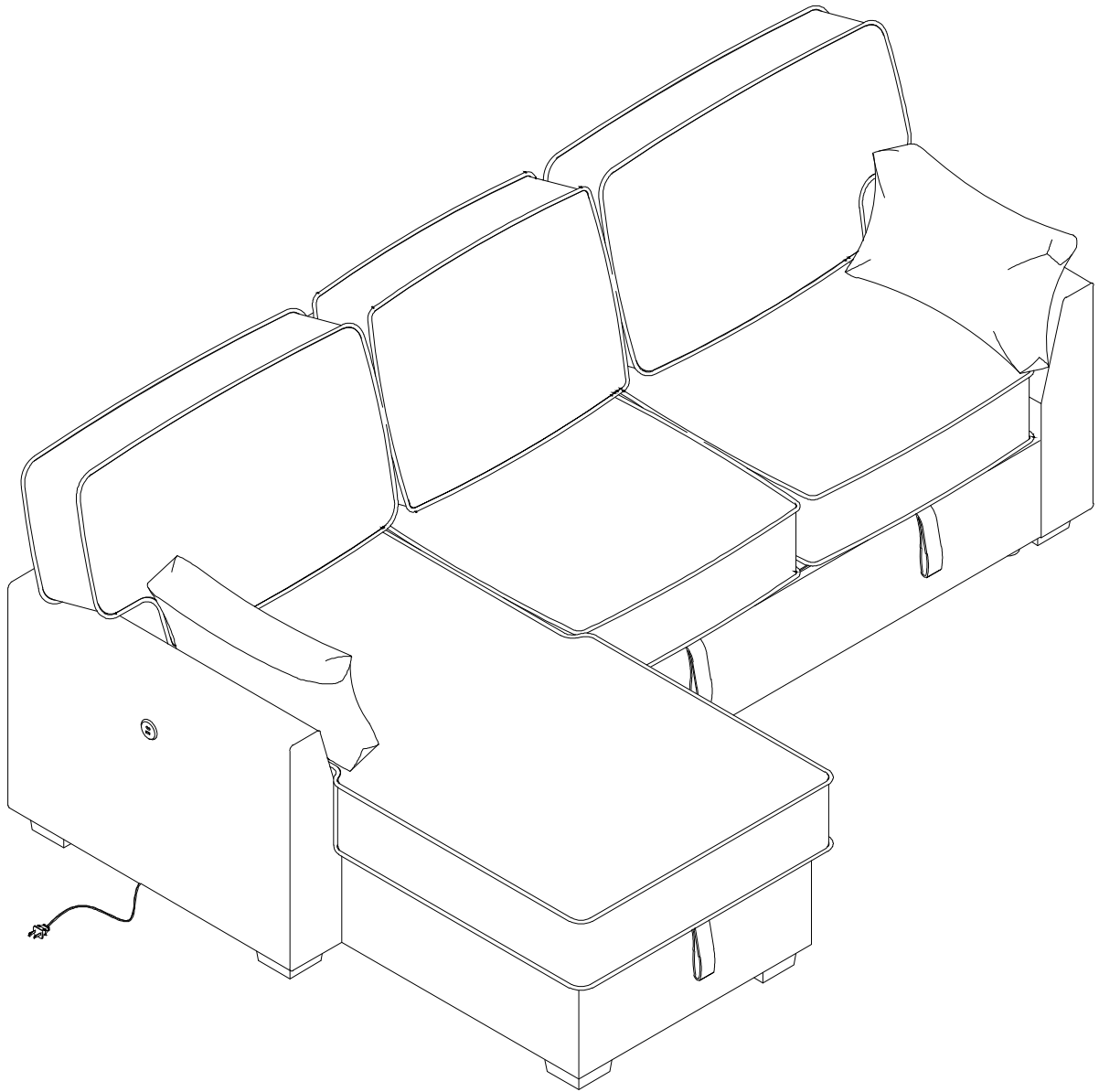


A87717

**LOVESEAT W/SLEEP & DROP DOWN TABLE & USB
CHAISE W/STORAGE & USB**

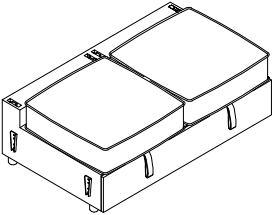
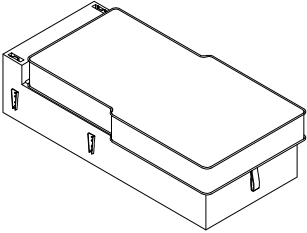
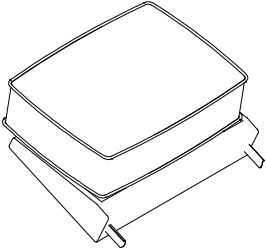
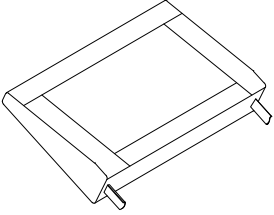
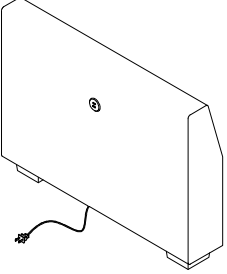
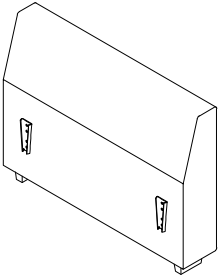
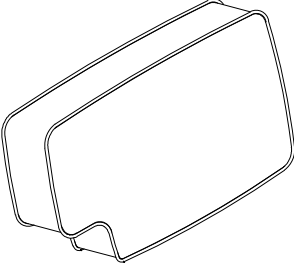
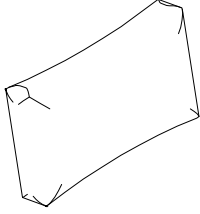
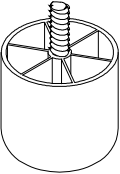
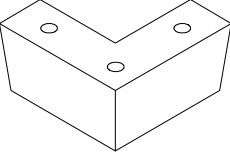
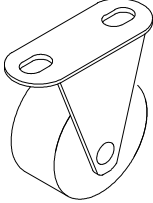
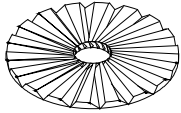


Necessary assembly time: 30 minutes.

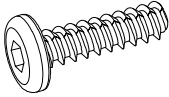


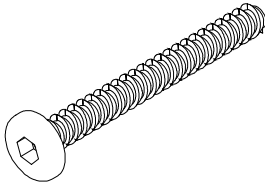
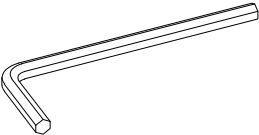


1. Do not use this product unless all screws and bolts are securely tightened.
2. Check that all screws and bolts are tight every three months or as needed.
3. Dispose of packing material properly. Do not use plastic cover as head covering. It may cause suffocation.
4. Do not use this product as a stepladder.
5. Use this product for its intended purpose only.
6. FOR INDOOR RESIDENTIAL USE ONLY.

PARTS LIST

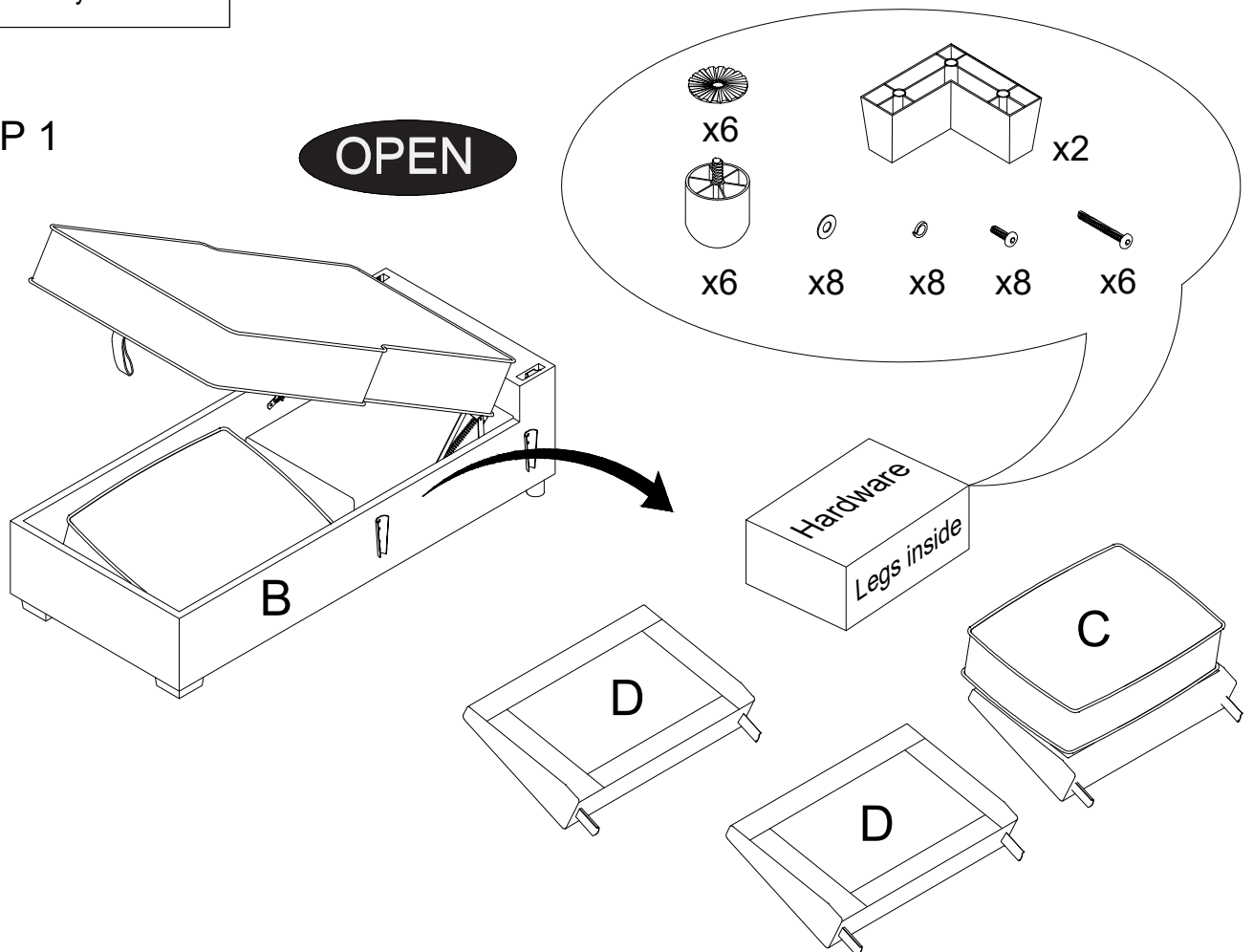
A	x1	B	x1	C	x1	D	x2
							
Pop-up Sleeper Seat		Chaise Seat		Back Rest Sleepper		Back Rest Chaise	
E1	x1	E2	x1	F	x2	G	x2
							
Armrest-L		Armrest-R		Back Cushion-L/R		Pillows	
H	x6	I	x2	K	x4	L	x6
							
Plastic Legs		L-Legs		Wheel		Plastic washer	

HARDWARE LIST

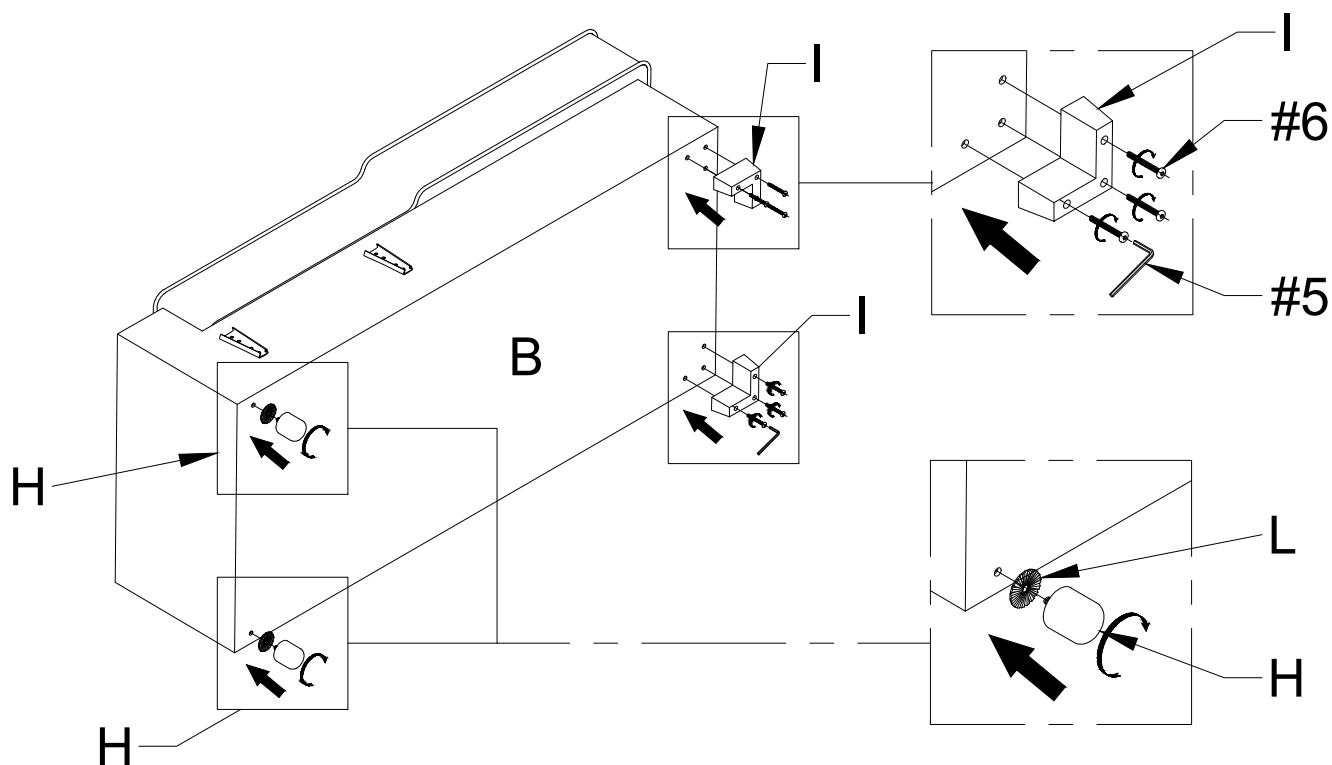
#1	x8	#2	x8	#3	x8	#4	x6
							
Bolts 1/4*1"		Spring Washer 1/4"		Flat Washer 1/4"		Bolts 5/16*2"	
#5	x1						
							
Allen key 4mm							


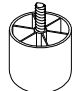
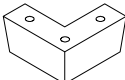
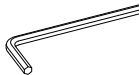

STEP 1

OPEN

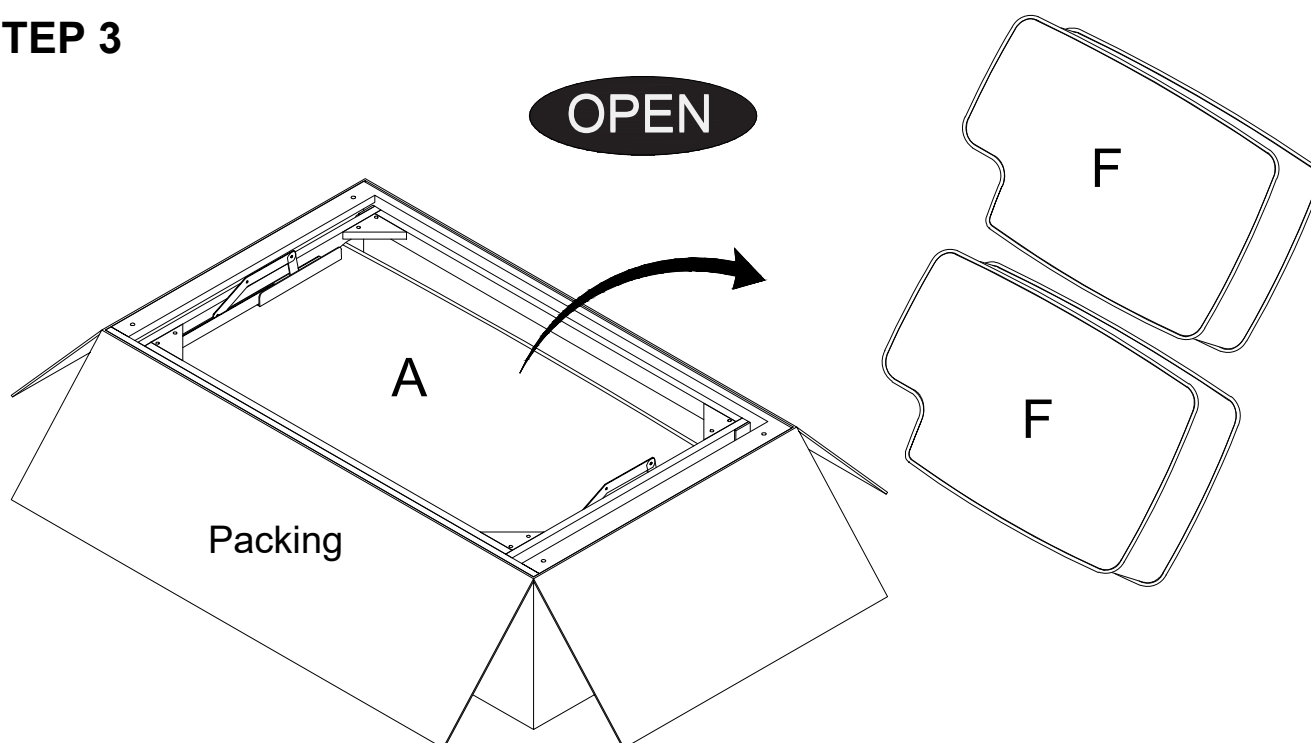


STEP 2

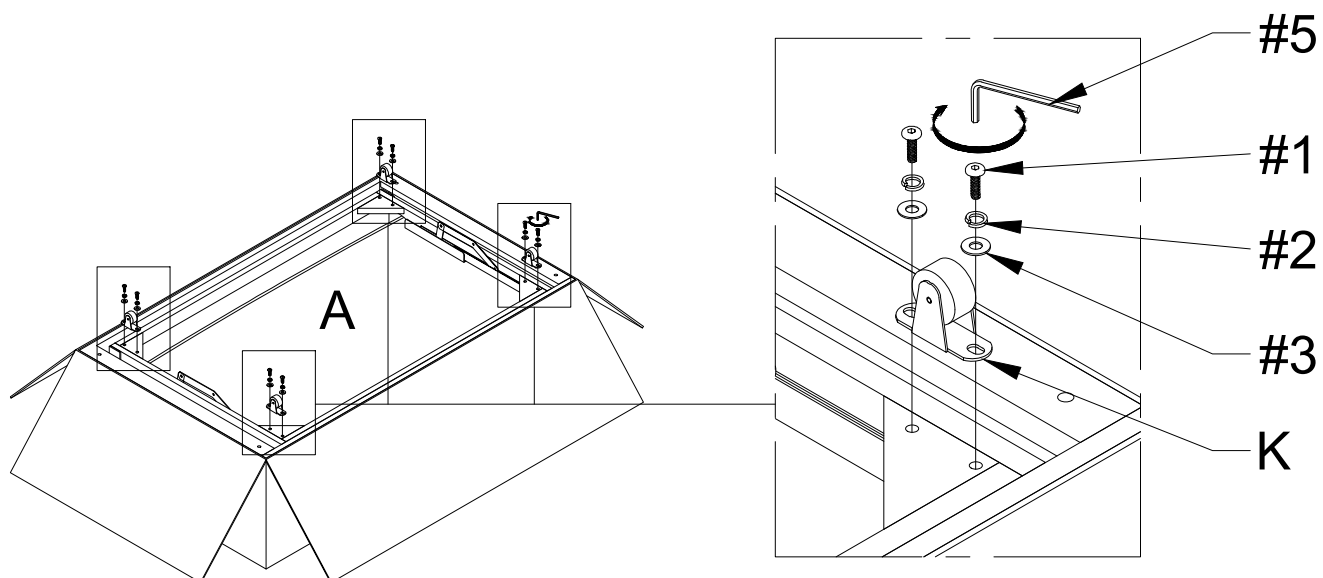


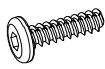


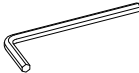
L	x2	H	x2	I	x2	#5	x1	#4	x6
									
Plastic washer		Plastic Legs		L-Legs		Allen key 4mm		Bolts 5/16*2"	

STEP 3

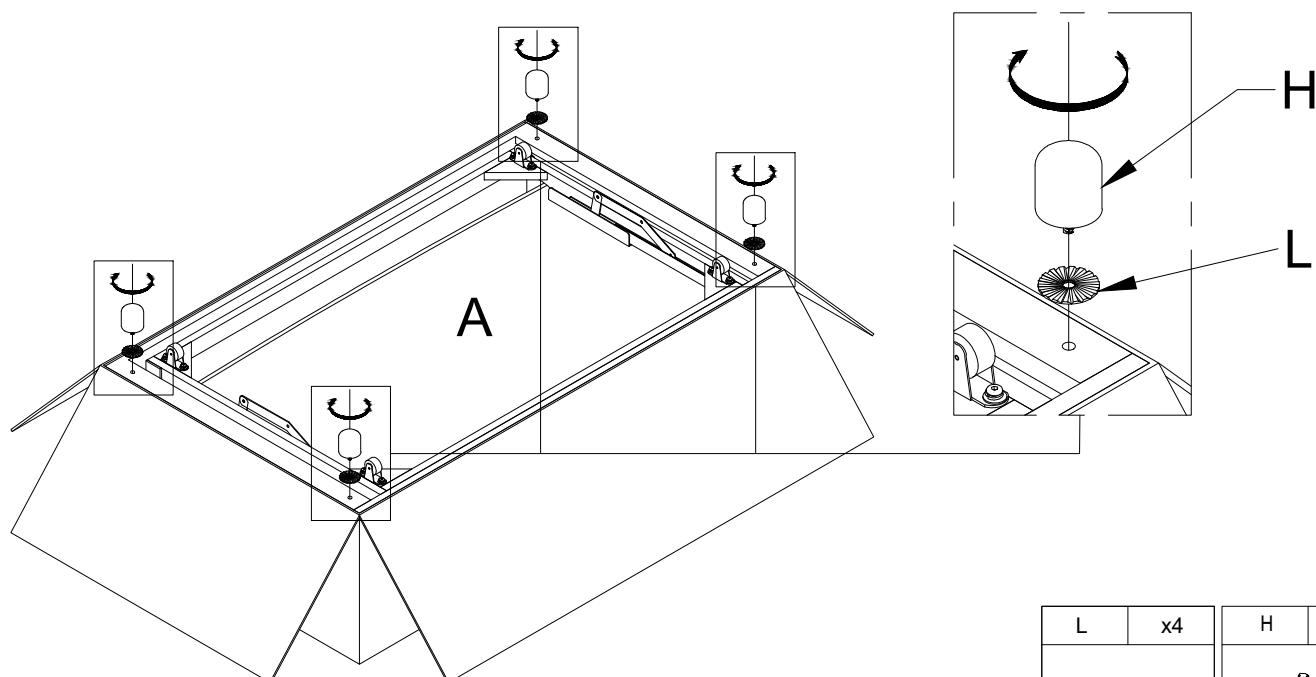



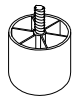
STEP 4



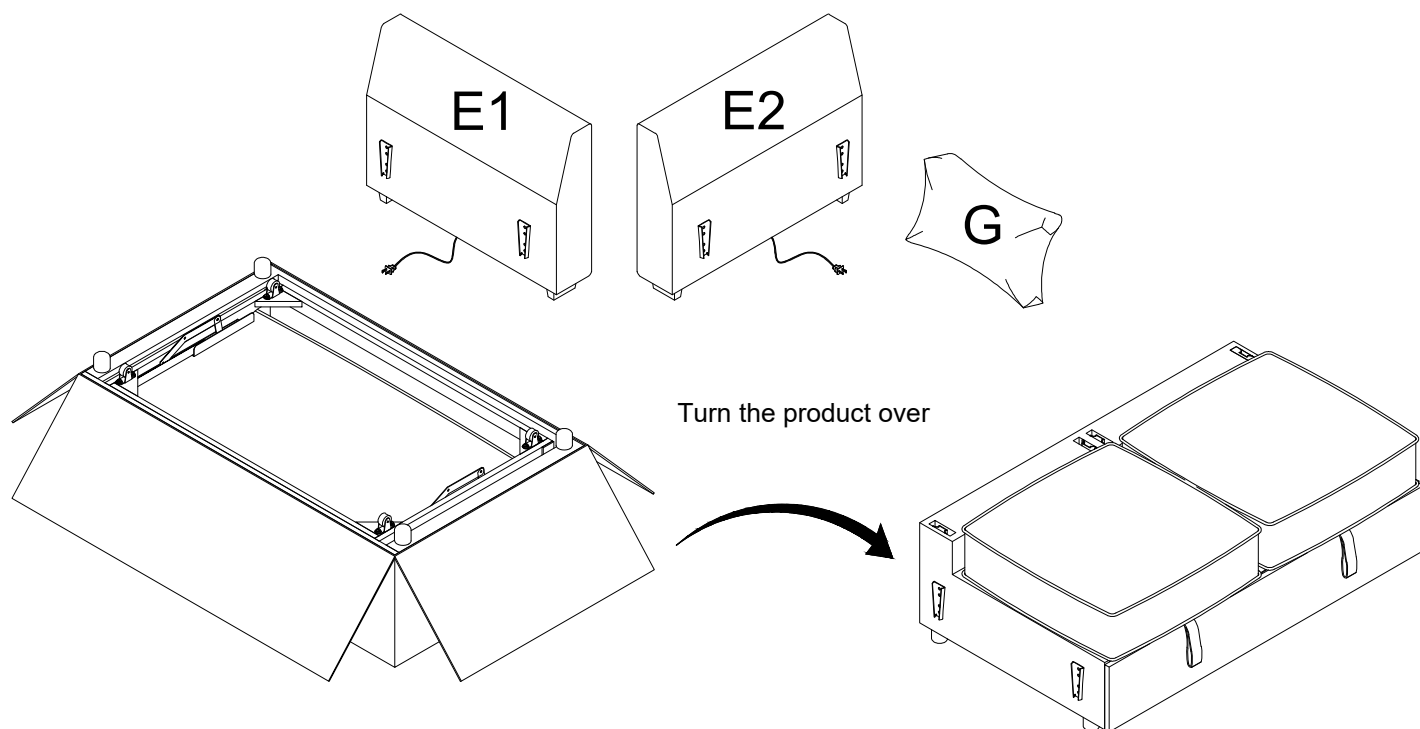
#1	x8	#2	x8	#3	x8	#5	x1
							
Bolts 1/4*1"		Spring Washer 1/4"		Flat Washer 1/4"		Allen key 4mm	

STEP 5

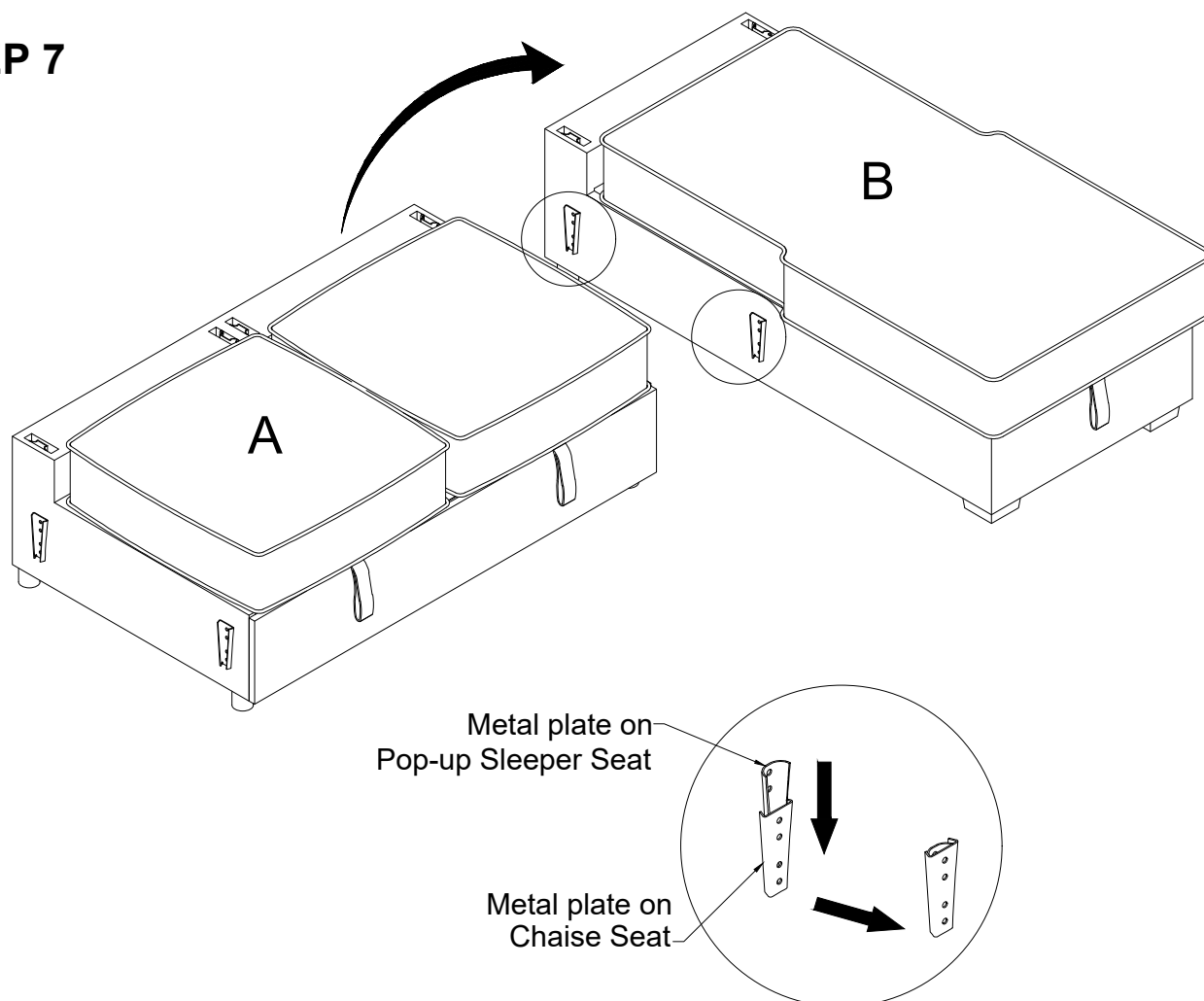


L	x4	H	x4
			
Plastic washer		Plastic Legs	

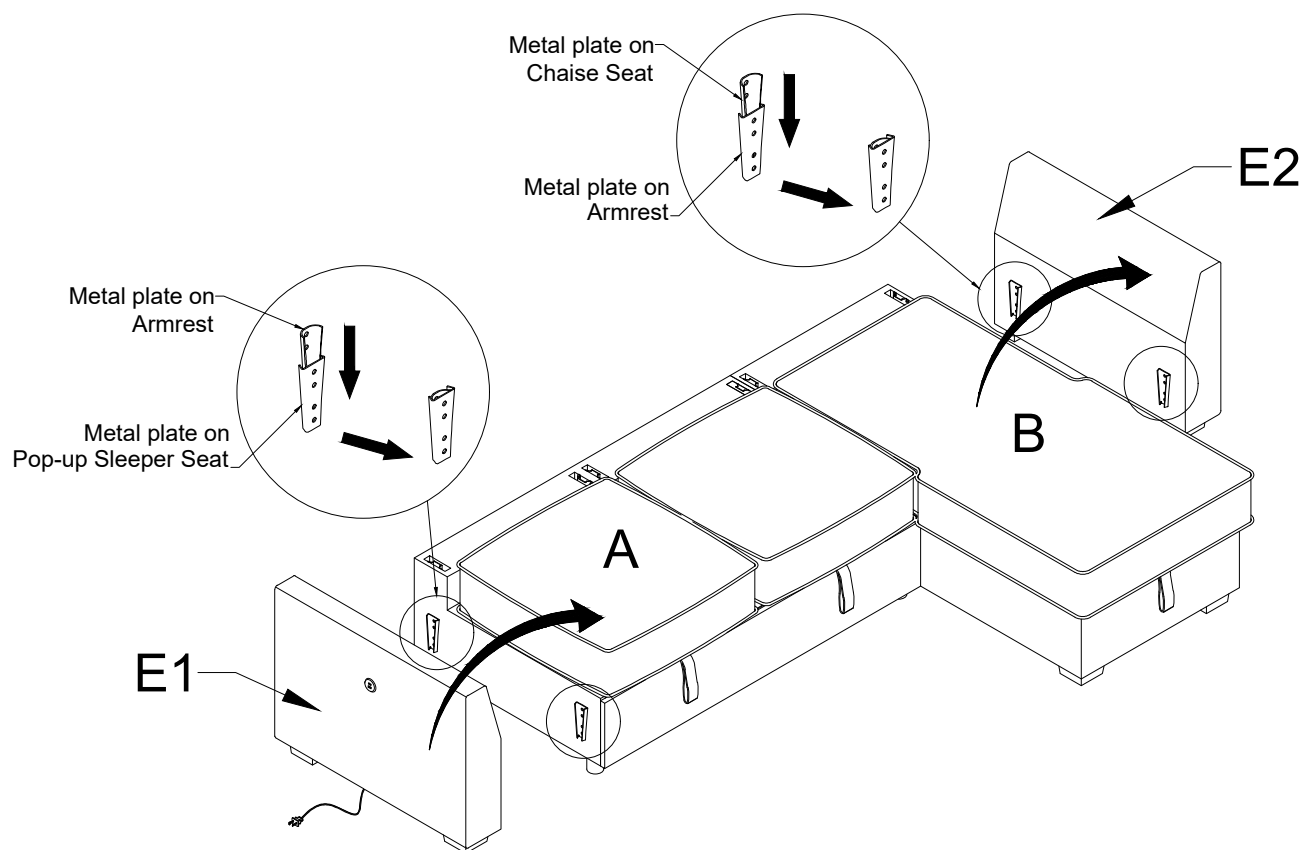
STEP 6



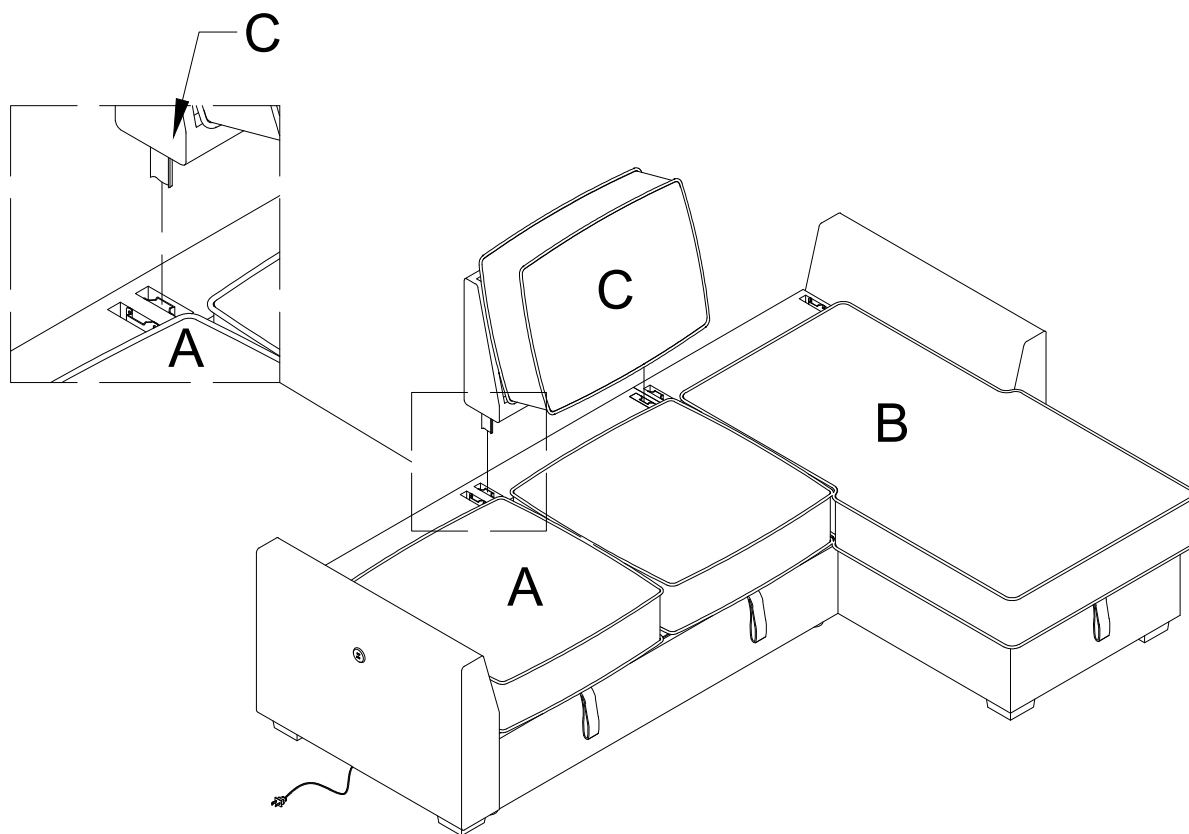
STEP 7



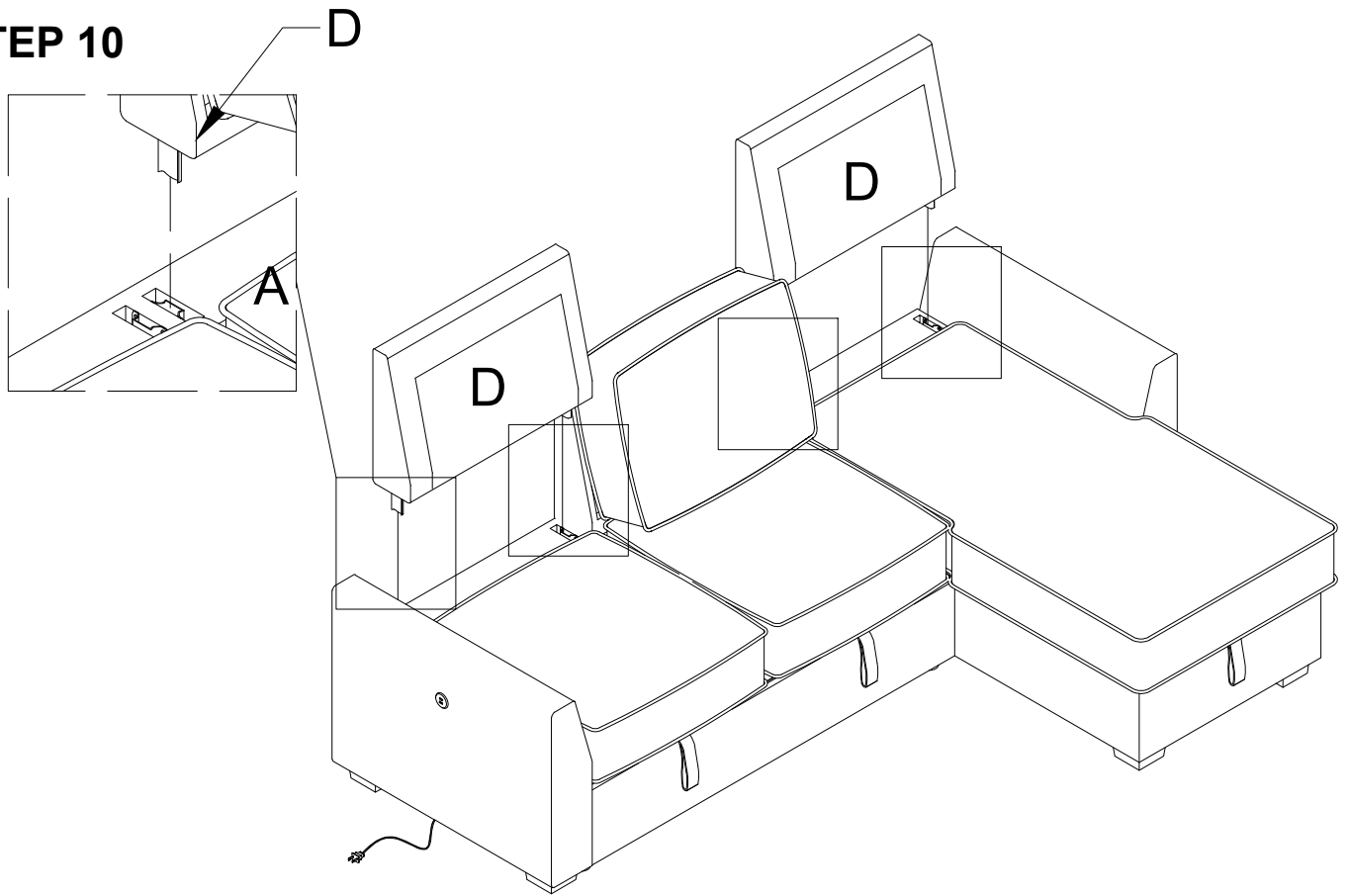
STEP 8



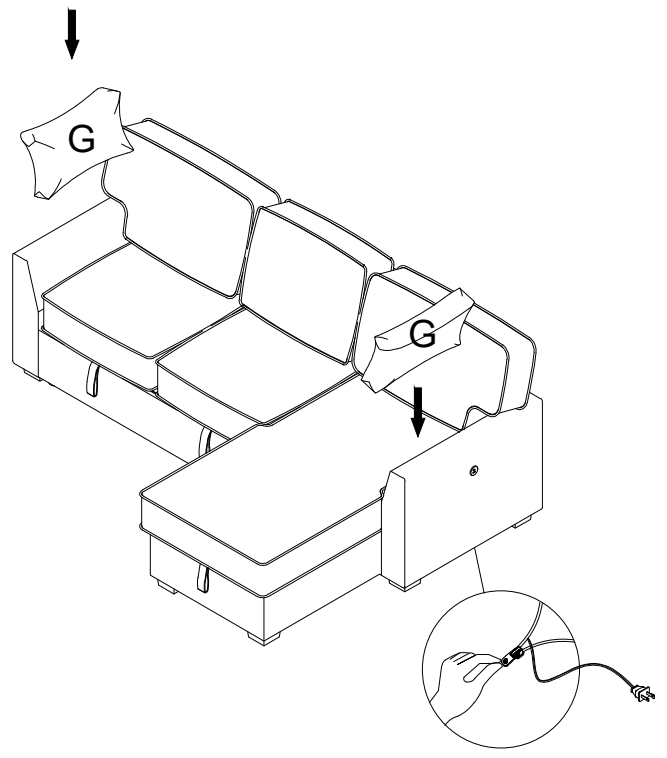
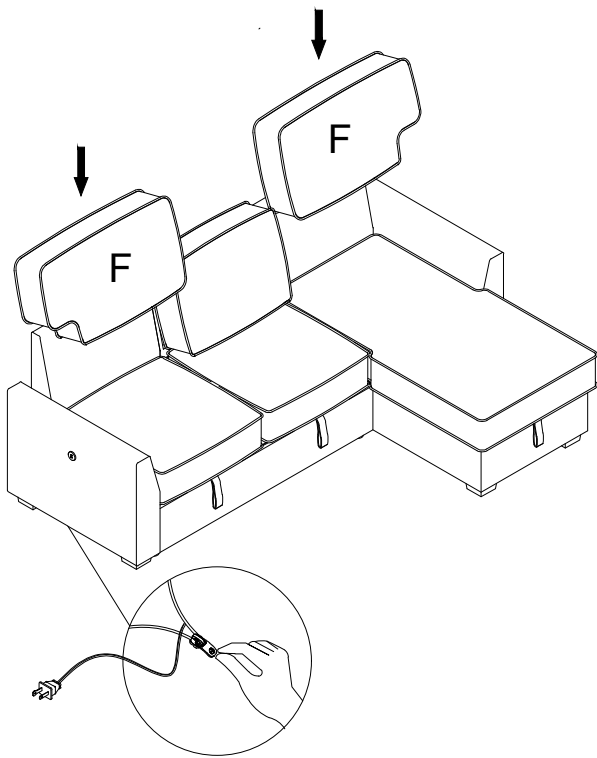
STEP 9



STEP 10

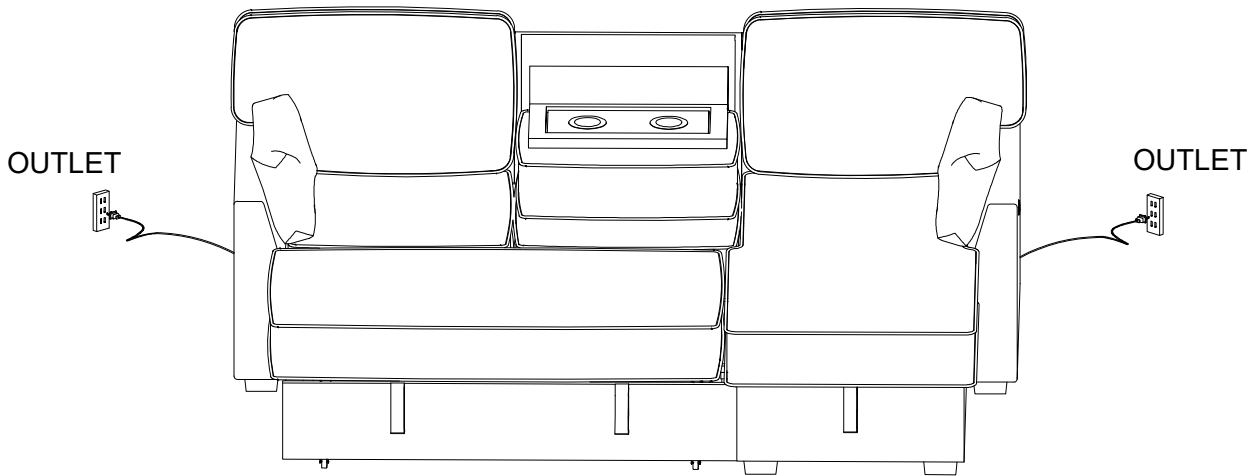
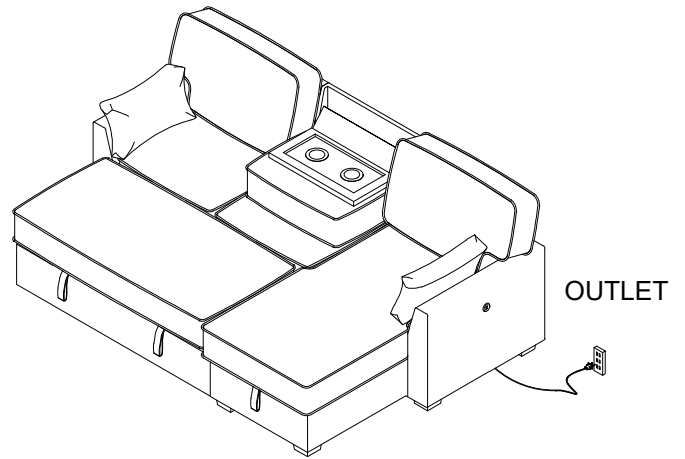
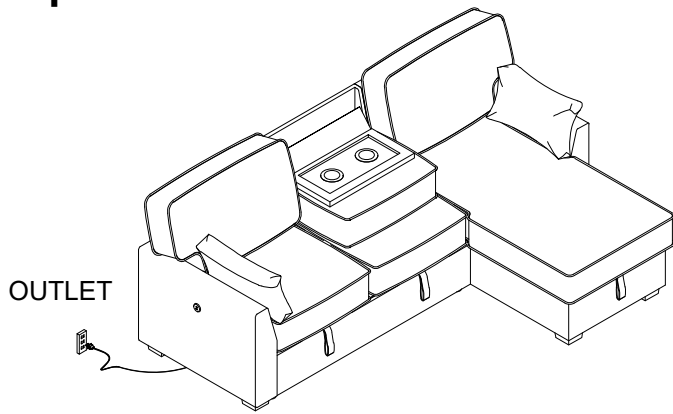


STEP 11A Options-1



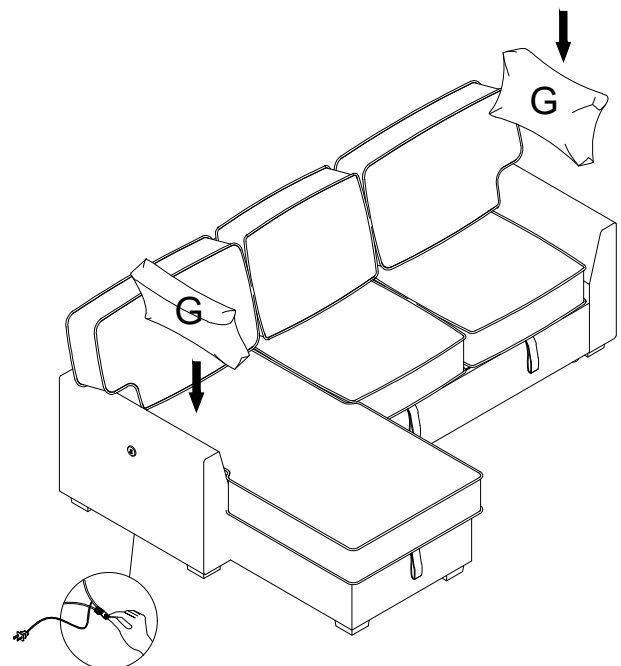
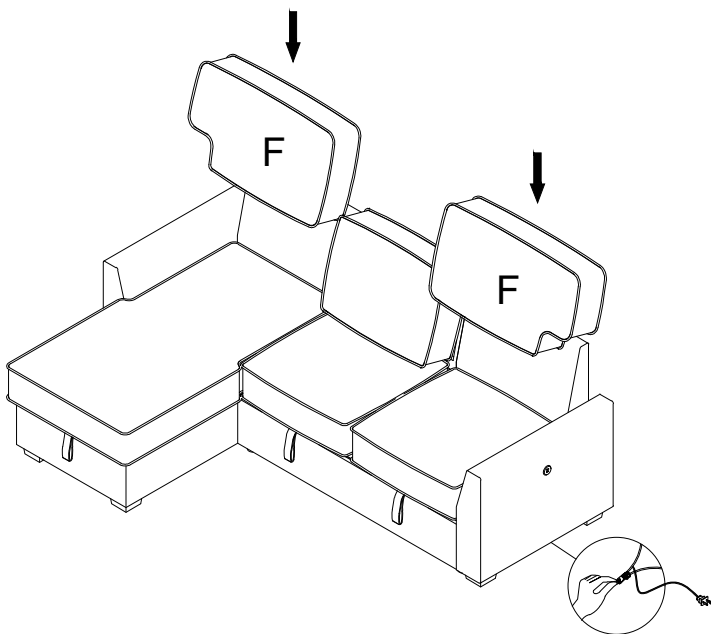
STEP 12A

Options-1



STEP 11B

Options-2



STEP 12B

Options-2

