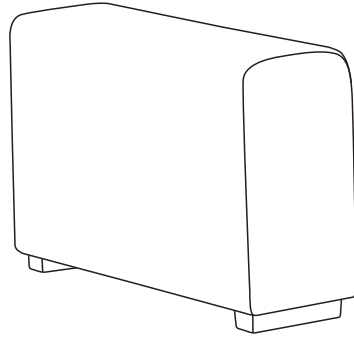
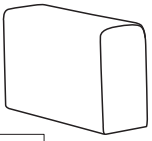


ASSEMBLY INSTRUCTION

ITEM NO.:81650



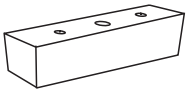
PARTS LIST



A

X1

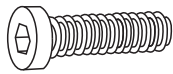
HARDWARE LIST



200X60X50mm

1

X2



M8X60

2

X2



M5

3

X1

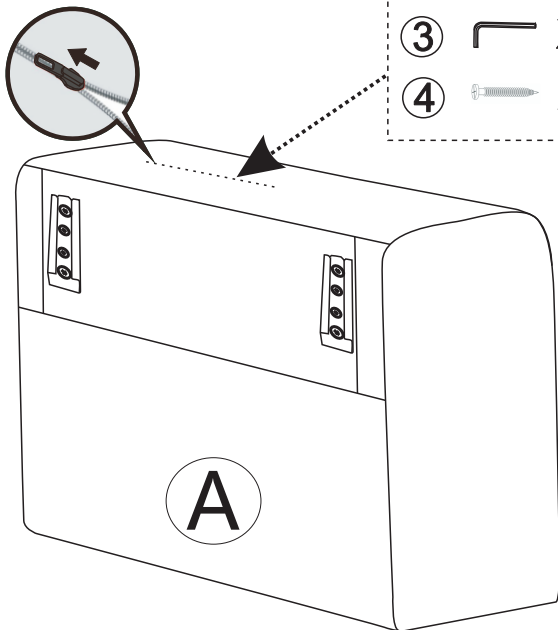






M5X50

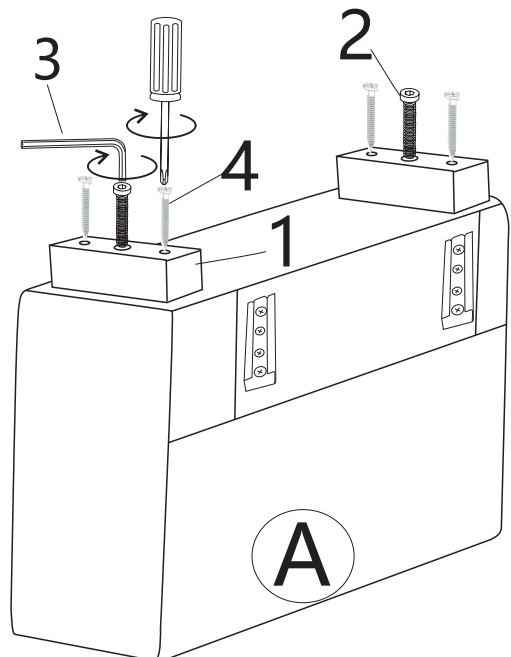
4

X4

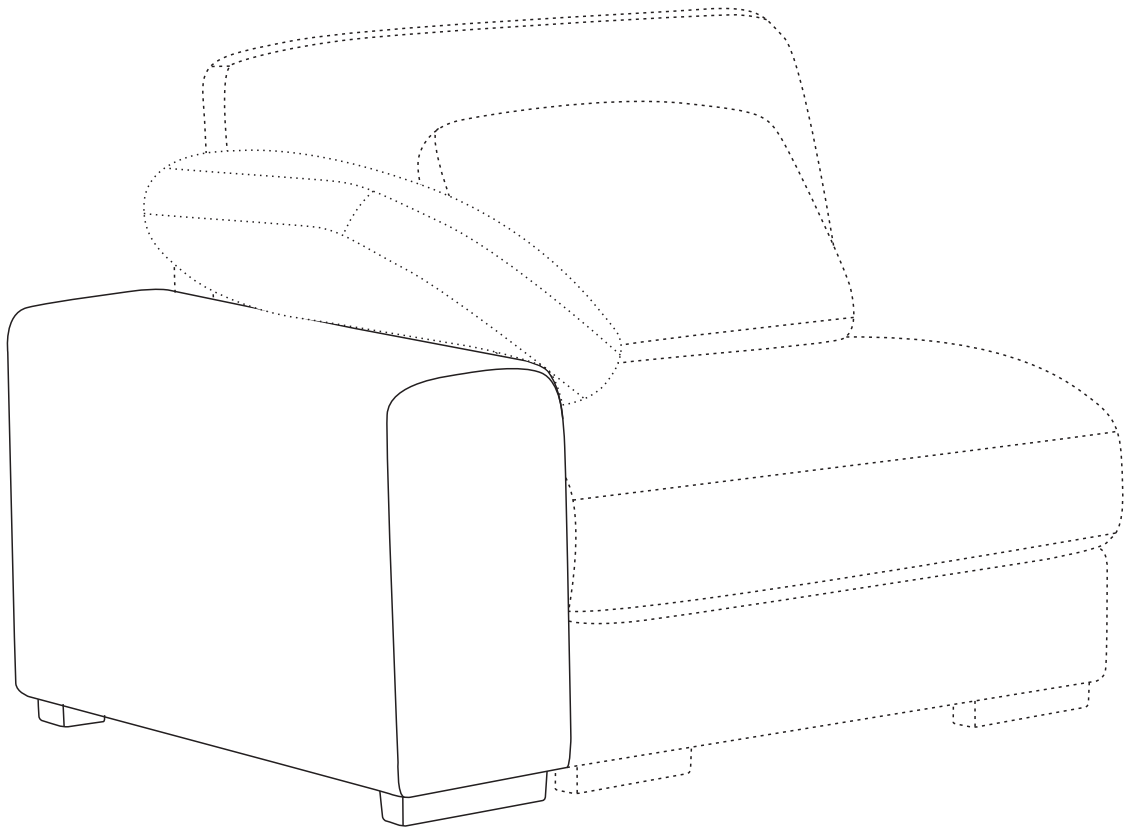
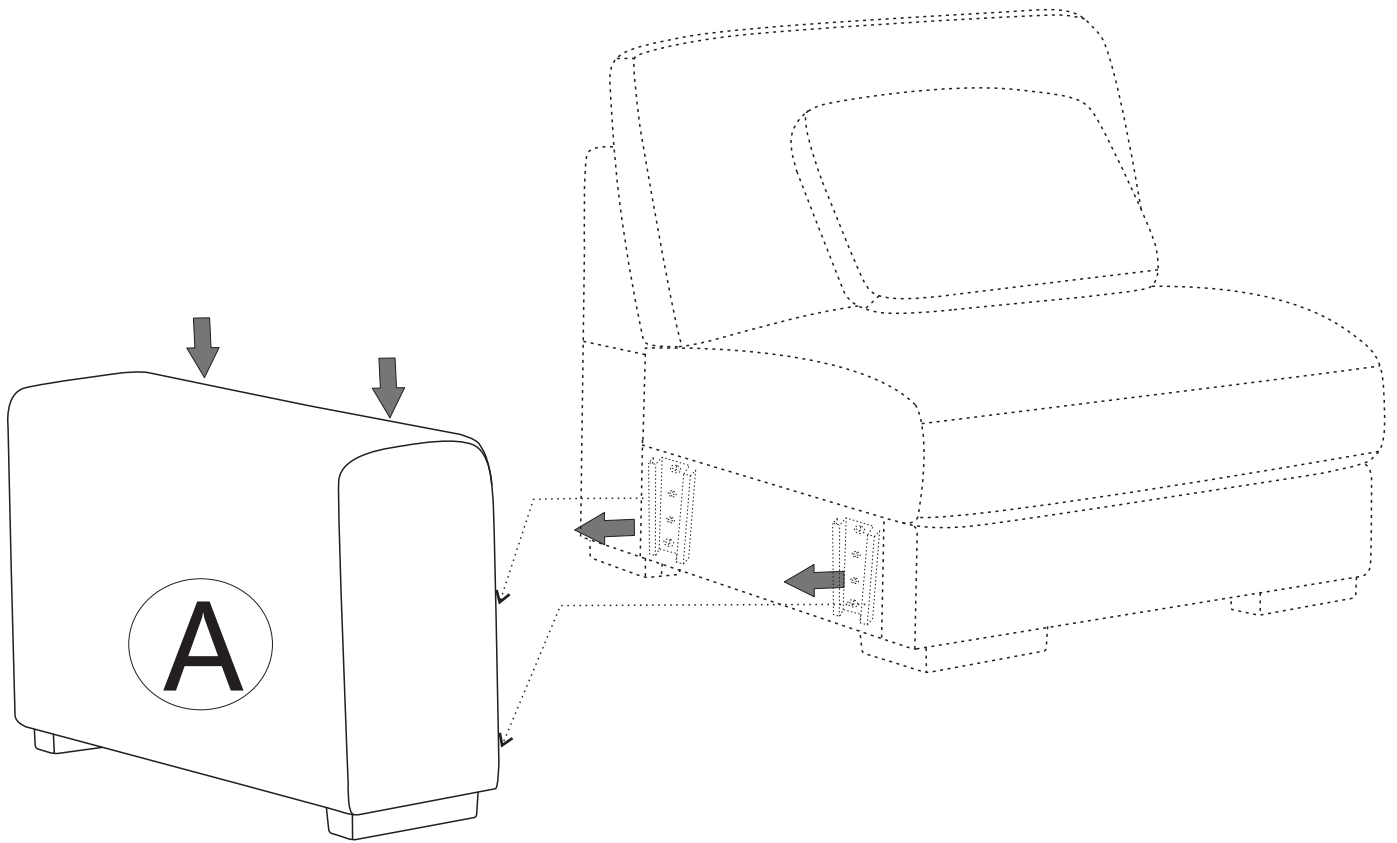
Step1



- ①  X2
- ②  X2
- ③  X1
- ④  X4

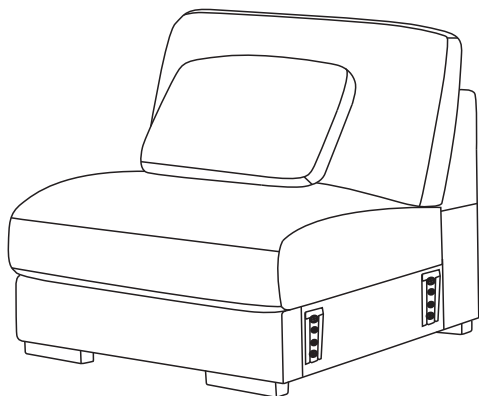


Step 2

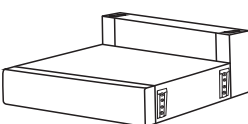


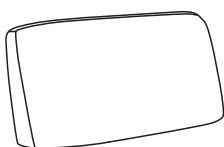



ASSEMBLY INSTRUCTION


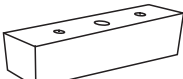
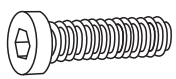


ITEM NO.:81650

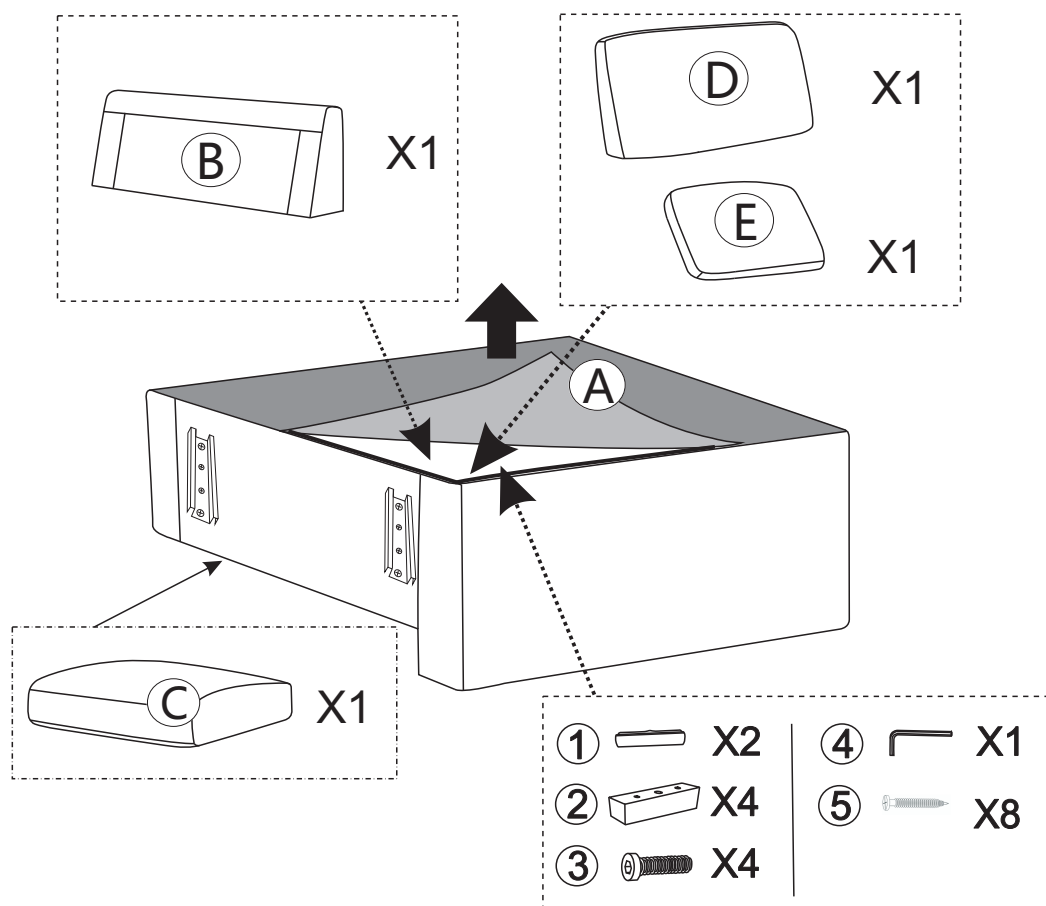


PARTS LIST

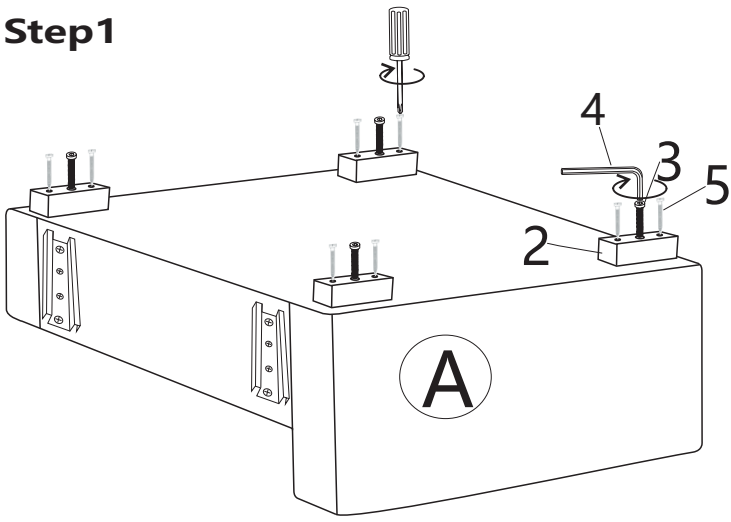
					
A	B	C	D	E	
X1	X1	X1	X1	X1	

HARDWARE LIST

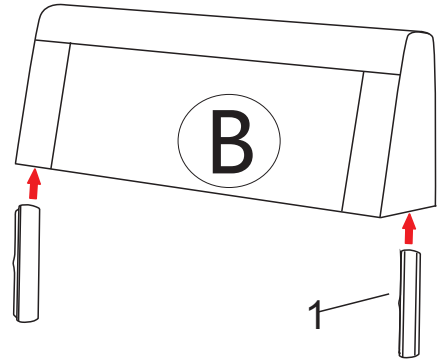
					
1	200X60X50mm	M8X60	M5	M5X50	
X2	X4	X4	X1	X8	



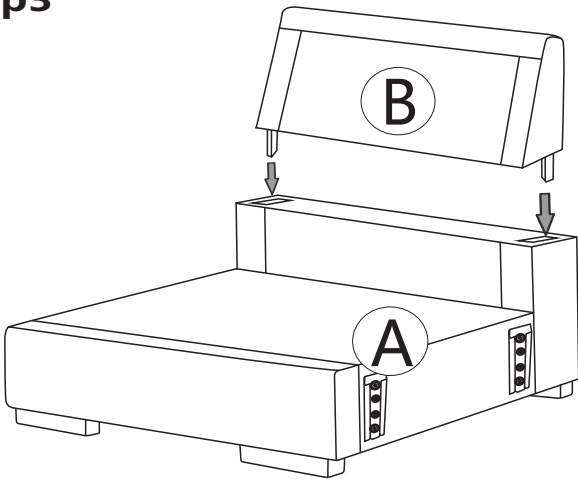
Step1



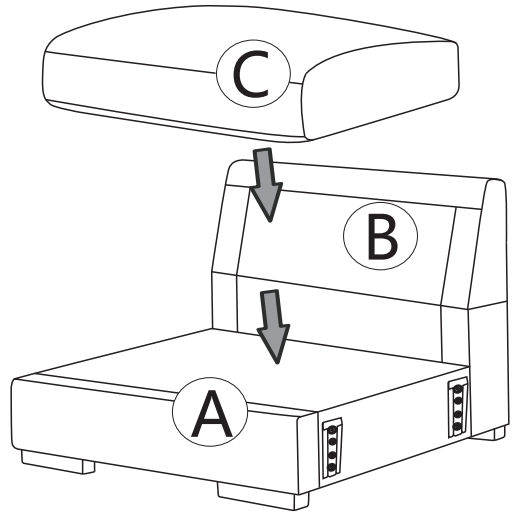
Step2 Please pay attention to follow this step to assemble!



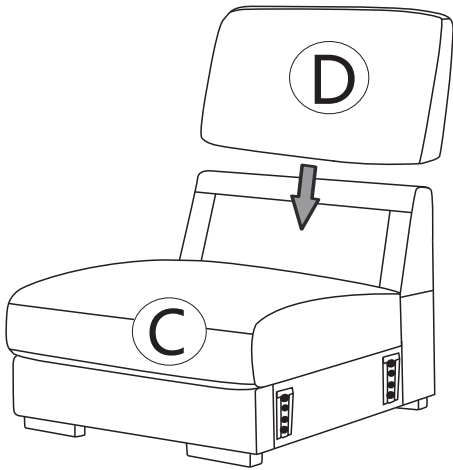
Step3



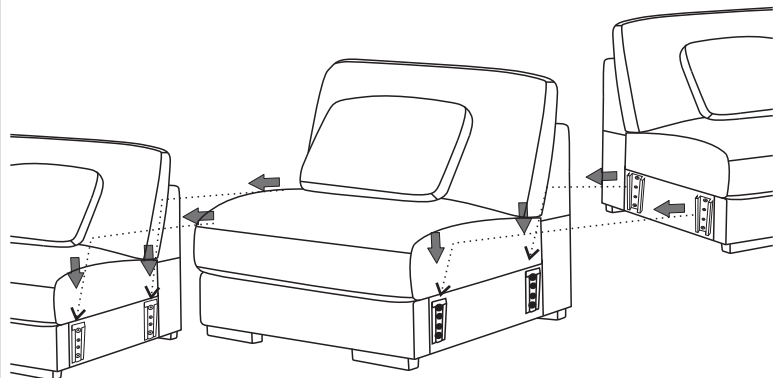
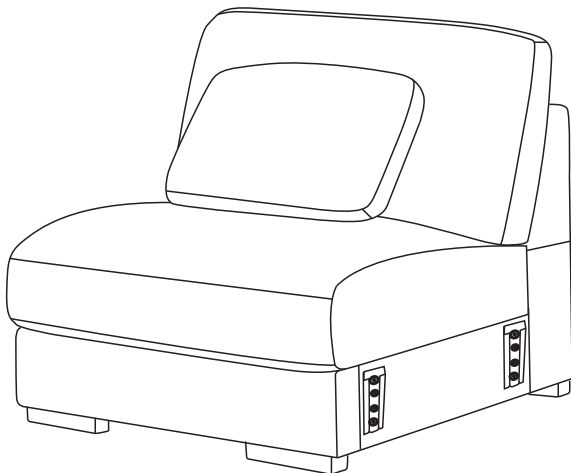
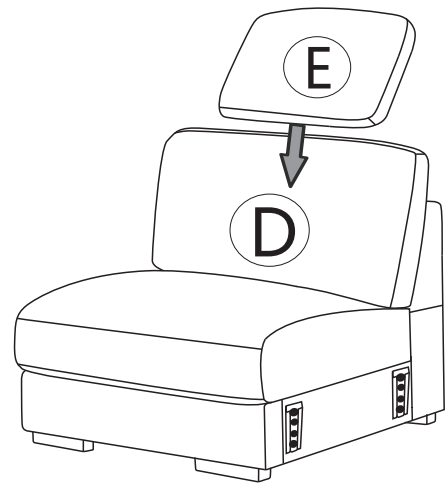
Step4



Step5

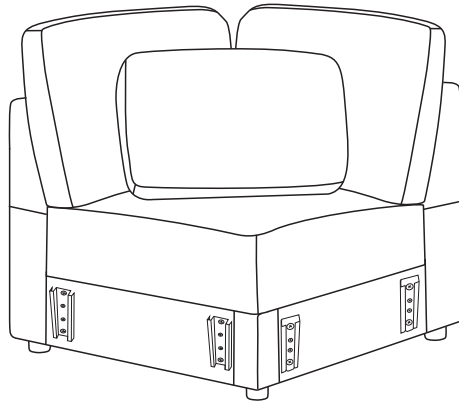


Step6

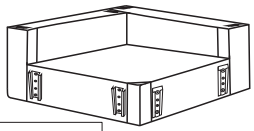


ASSEMBLY INSTRUCTION

ITEM NO.:81650

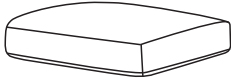


PARTS LIST



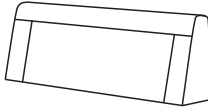
A

X1



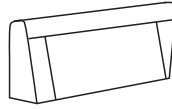
B

X1



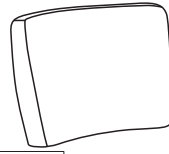
C

X1



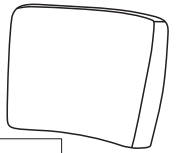
D

X1



E

X1



F

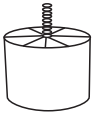
X1

HARDWARE LIST



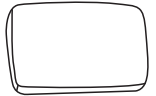
1

X4



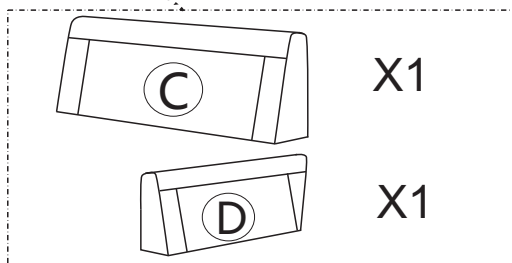
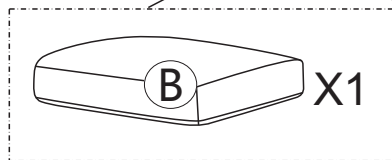
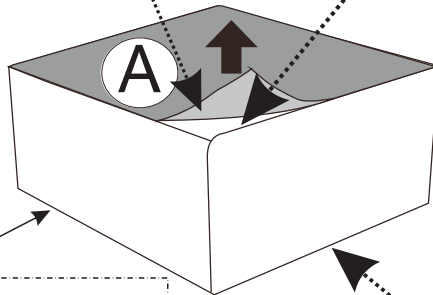
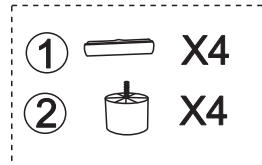
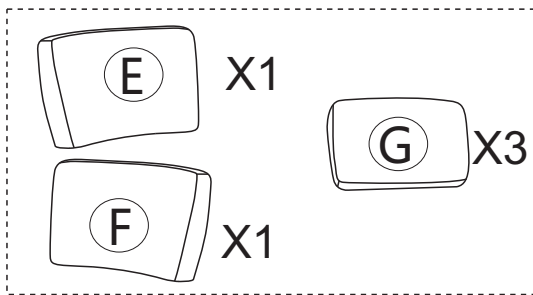
2

X4

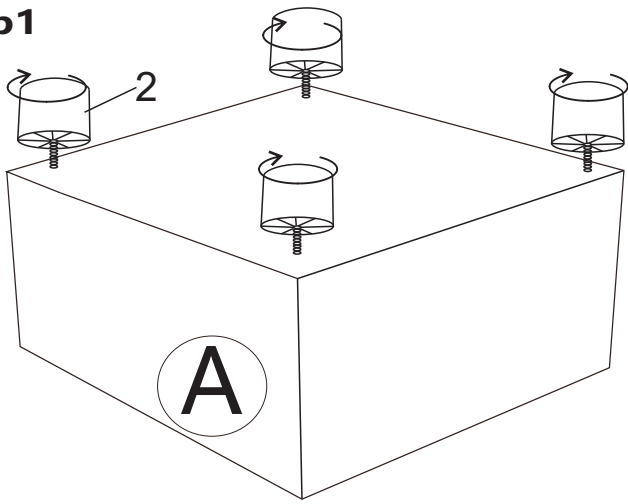


G

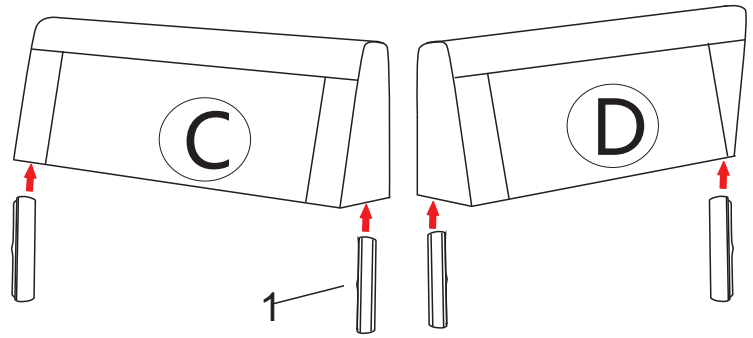
X3



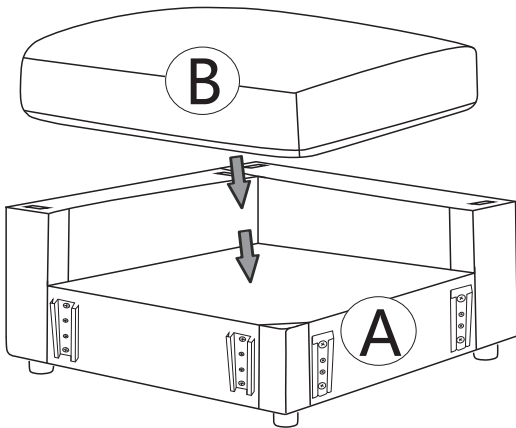
Step1



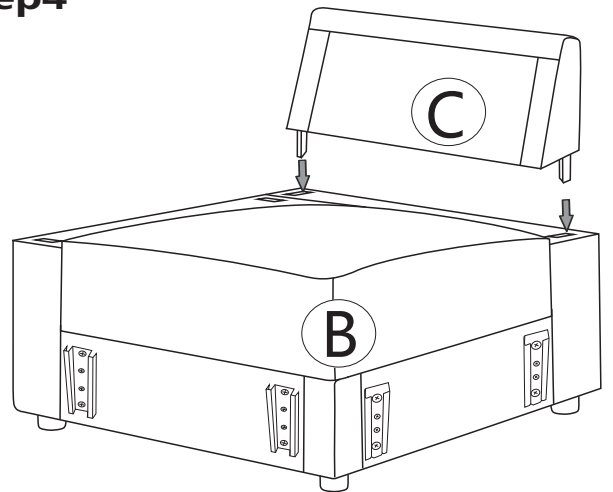
Step2 Please pay attention to follow this step to assemble!



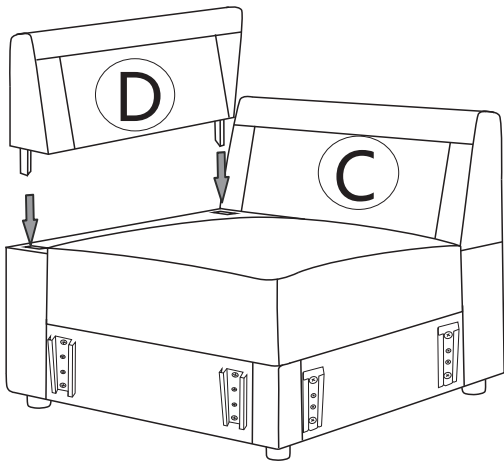
Step3



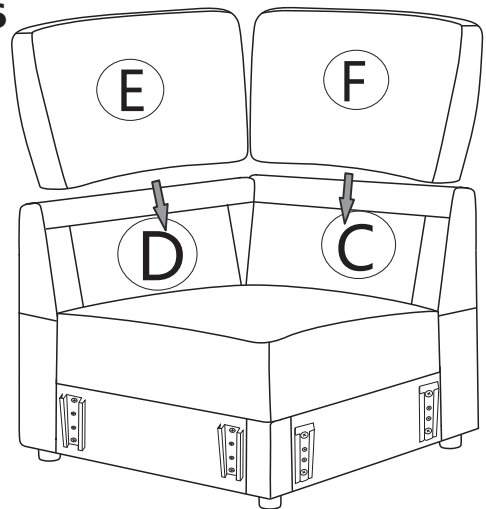
Step4



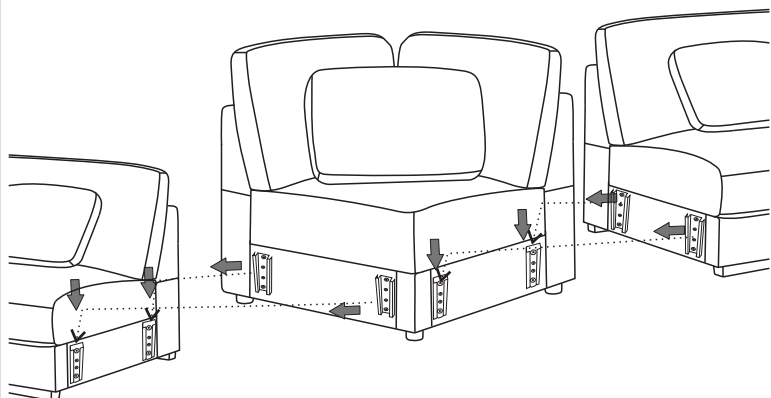
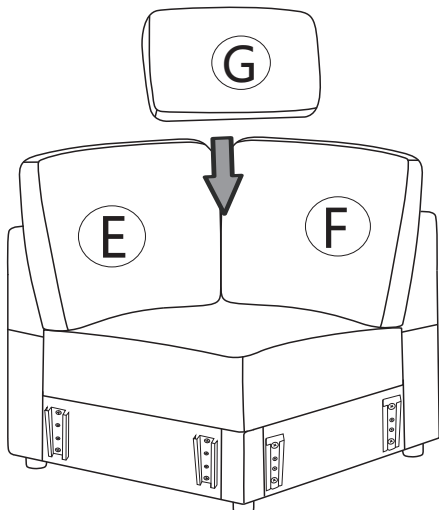
Step5



Step6

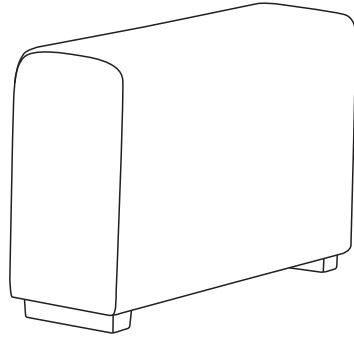


Step7

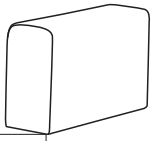


ASSEMBLY INSTRUCTION

ITEM NO.:81650



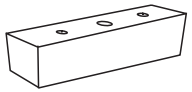
PARTS LIST



A

X1

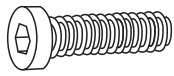
HARDWARE LIST



200X60X50mm

1

X2



M8X60

2

X2



M5

3

X1



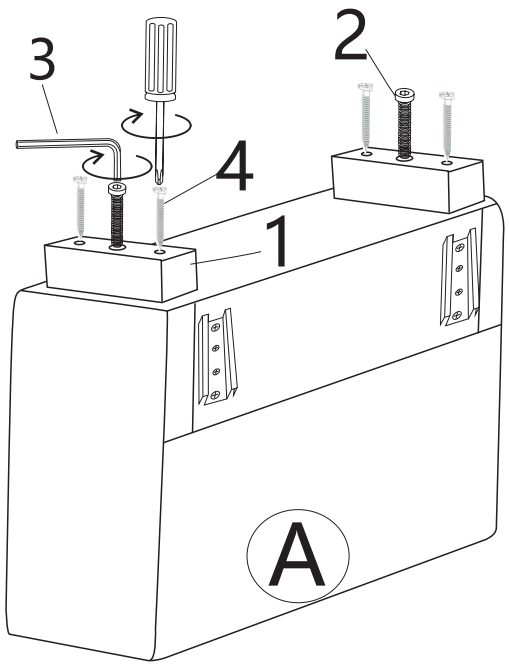
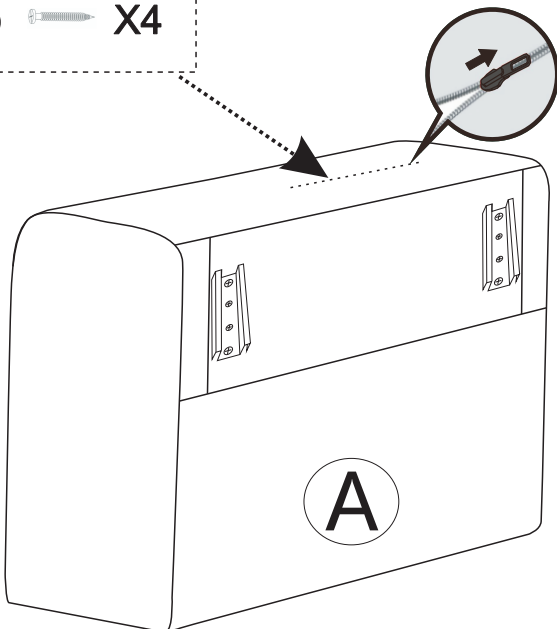
M5X50

4

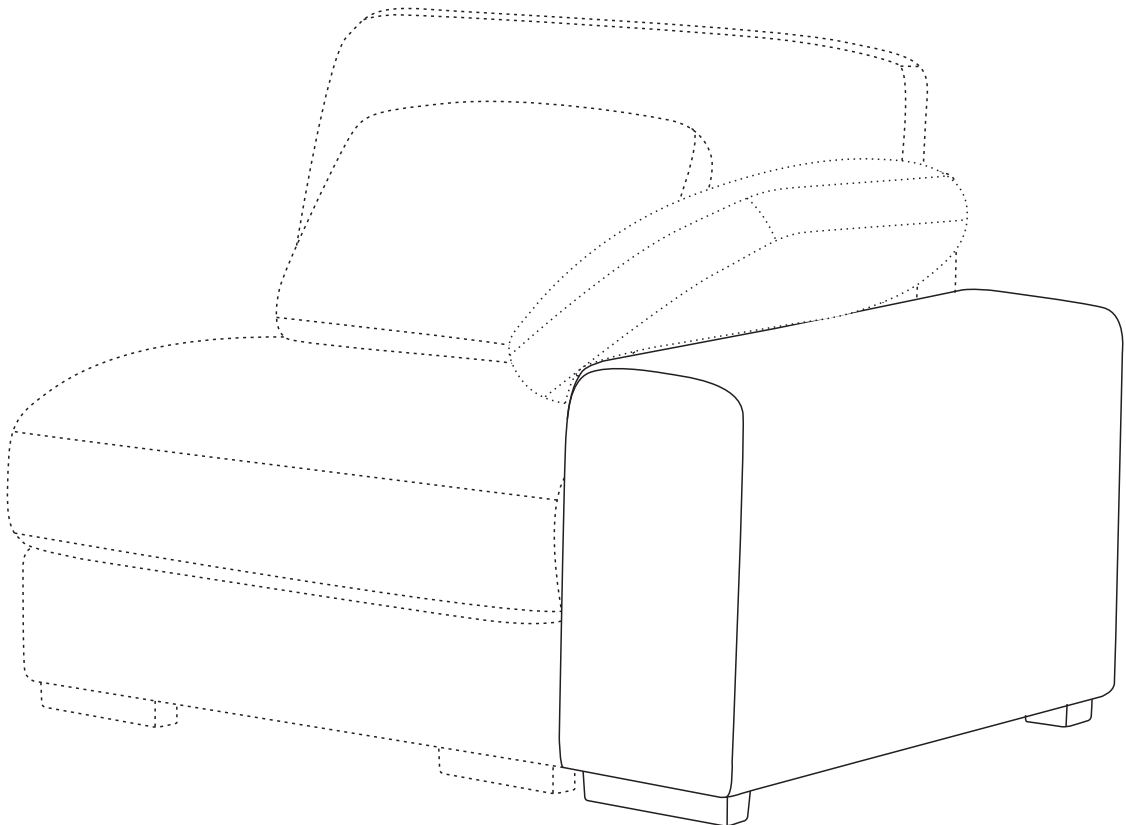
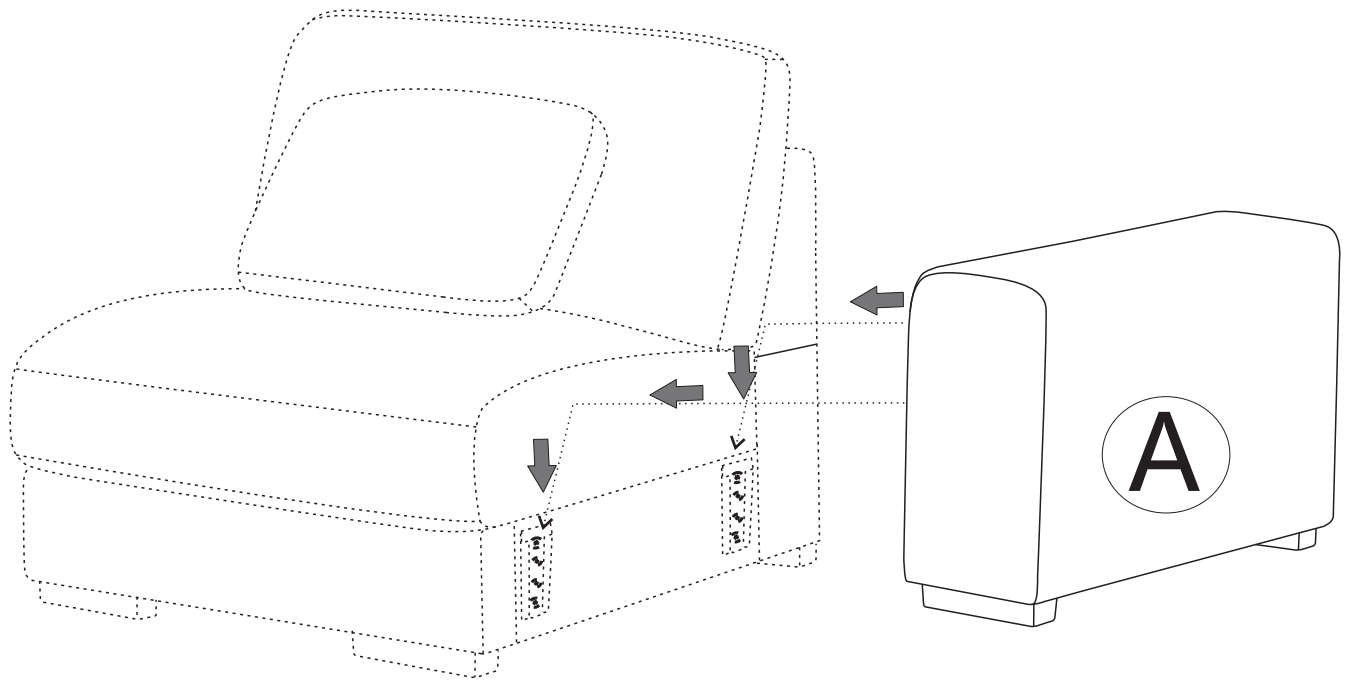
X4



Step1

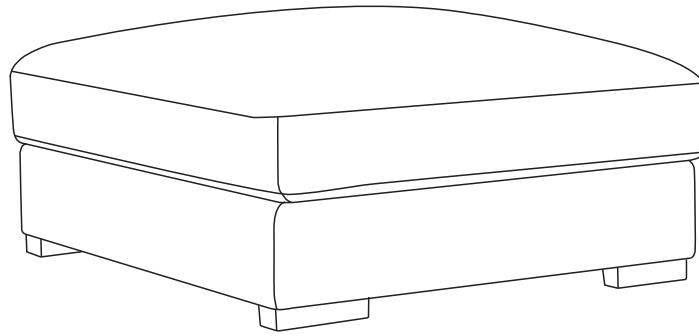


Step 2

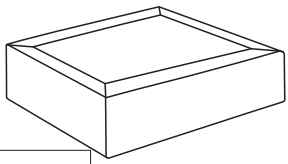


ASSEMBLY INSTRUCTION

ITEM NO.:81650

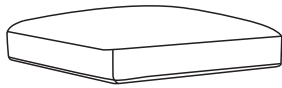


PARTS LIST



A

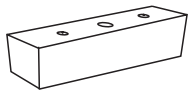
X1



B

X1

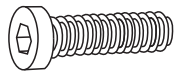
HARDWARE LIST



200X60X50mm

1

X4



M8X60

2

X4



M5

3

X1

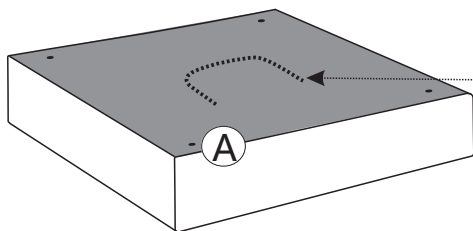





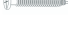
M5X50

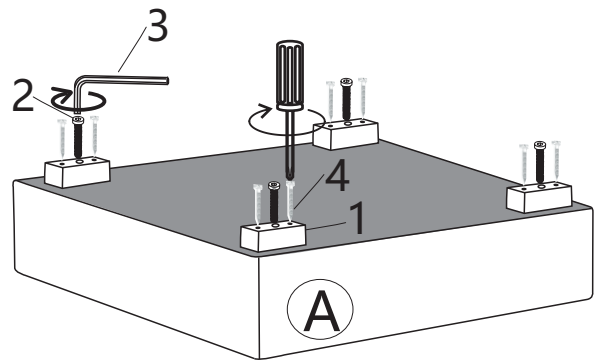
4

X8

Step1



- ①  X4
- ②  X4
- ③  X1
- ④  X8



Step2

