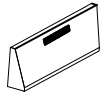
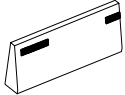
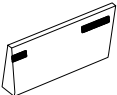
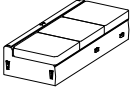
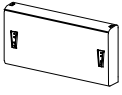
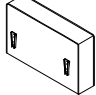
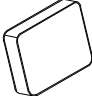
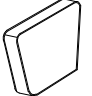
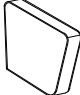
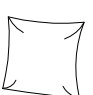


# ASSEMBLY INSTRUCTIONS



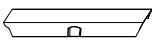
## ITEM NO: 89166 / 89167

Estimated assembly time : 25minutes




### PARTS LIST SOFA

NO	DESCRIPTION	DRAWING	QTY
A1	Backrest A1		1 Pc
A2	Backrest A2		1 Pc
A3	Backrest A3		1 Pc
A4	Frame		1 Pc
A5	RAF Frame		1 Pc
A6	LAF Arm		1 Pc
A7	Back Cushion A7		2 Pcs
A8	Back Cushion A8		1 Pc
A9	Back Cushion A9		1 Pc
A10	Small Pillow		2 Pcs

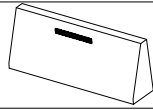
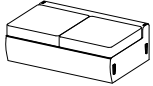
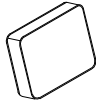
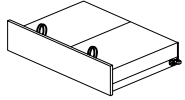
### HARDWARE SOFA

NO	DESCRIPTION	SKETCH	SIZE	QTY
1	Screw		40mm	8 Pcs
2	Round Leg		Ø50X50mm	8 Pcs
3	Connection Parts		147X70	6 Pcs

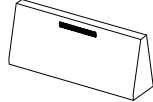
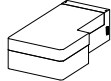
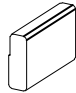
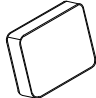
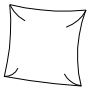
### HARDWARE CHAISE

NO	DESCRIPTION	SKETCH	SIZE	QTY
1	Screw		40mm	7 Pcs
2	Round Leg		Ø50X50mm	7 Pcs
3	Connection Parts		147X70	2 Pcs

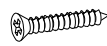

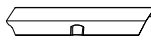


### PARTS LIST LOVESEAT

NO	DESCRIPTION	DRAWING	QTY
B1	Backrest		1 Pc
B2	Frame		1 Pc
B3	Seat Cushion		2 Pcs
B4	Pull - Out Bed		1 Pc

### PARTS LIST CHAISE

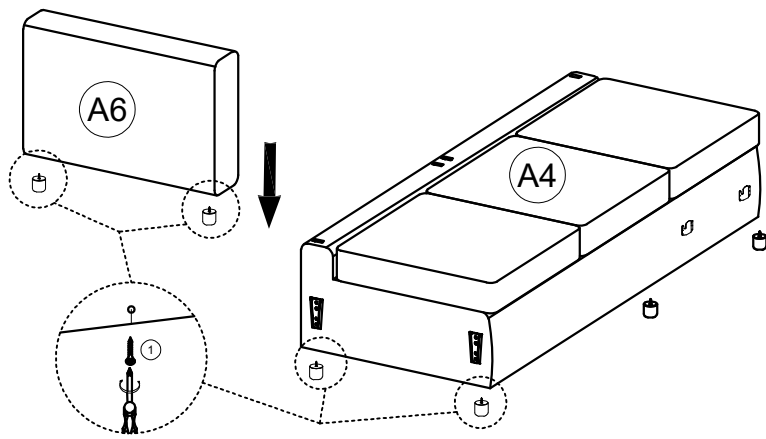
NO	DESCRIPTION	DRAWING	QTY
C1	Backrest		1 Pc
C2	Frame		1 Pc
C3	RHF Arm		1 Pc
C4	Seat Cushion		1 Pc
C5	Pillow		1 Pc

### HARDWARE LOVESEAT

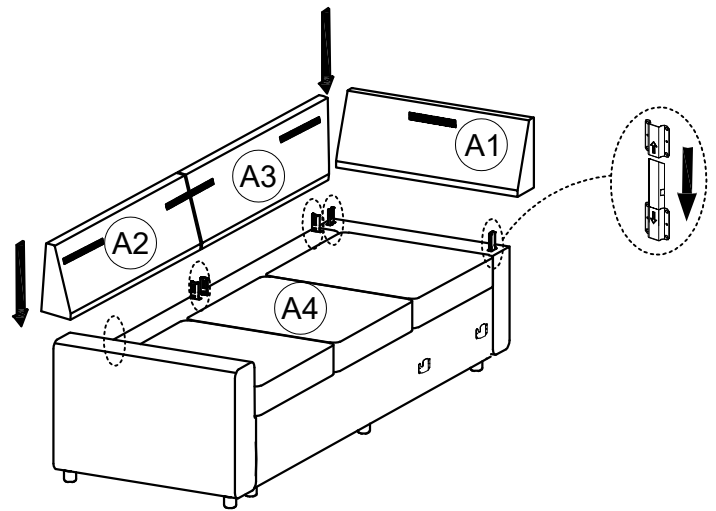
NO	DESCRIPTION	SKETCH	SIZE	QTY
1	Screw		40mm	4 Pcs
2	Round Leg		Ø50X50mm	4 Pcs
3	Connection Parts		147X70	2 Pcs
4	Screw		20mm	16 Pcs
5	Wheel		38x50mm	4 Pcs

# ASSEMBLY INSTRUCTIONS

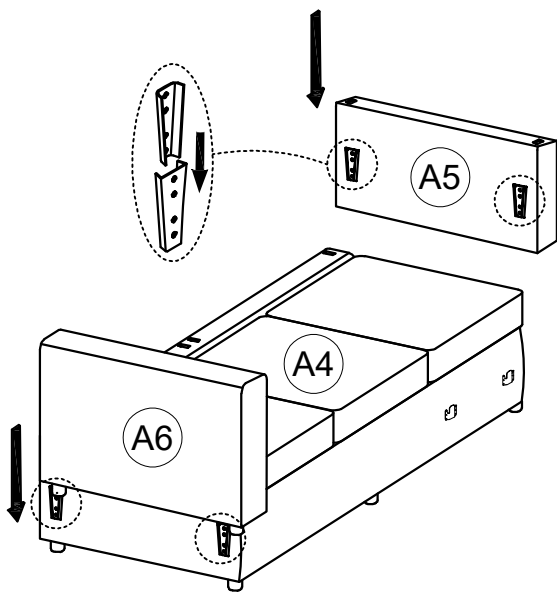
## STEP 1



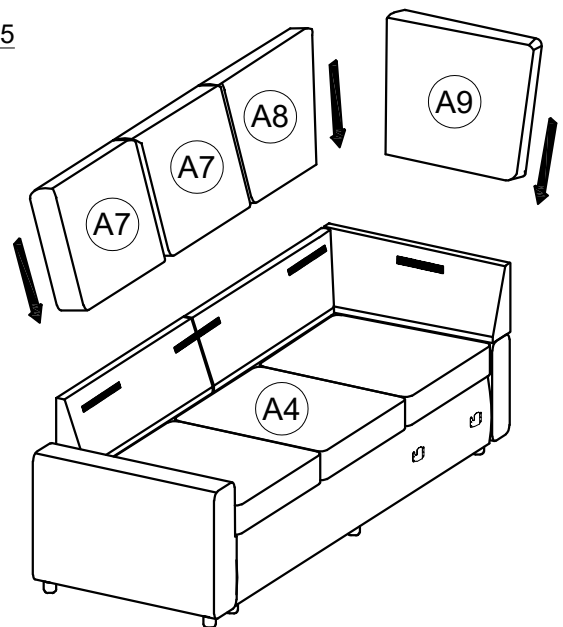
## STEP 4



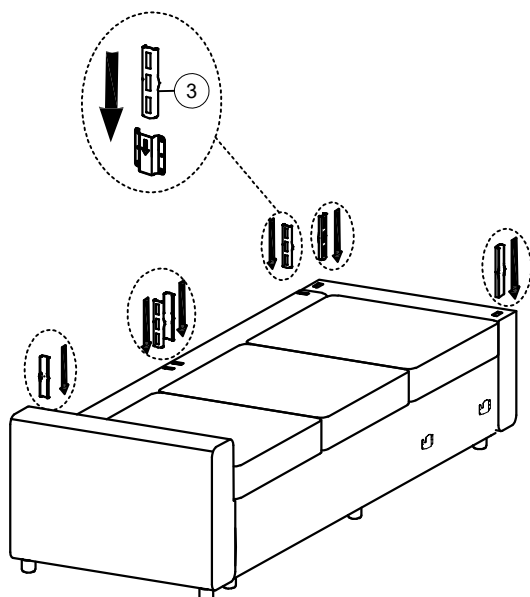
## STEP 2



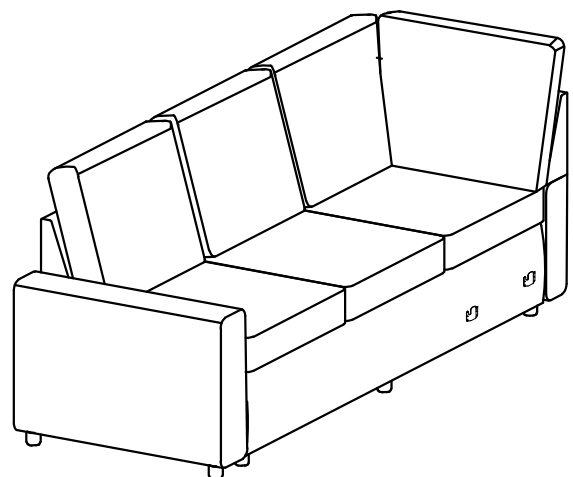
## STEP 5



## STEP 3

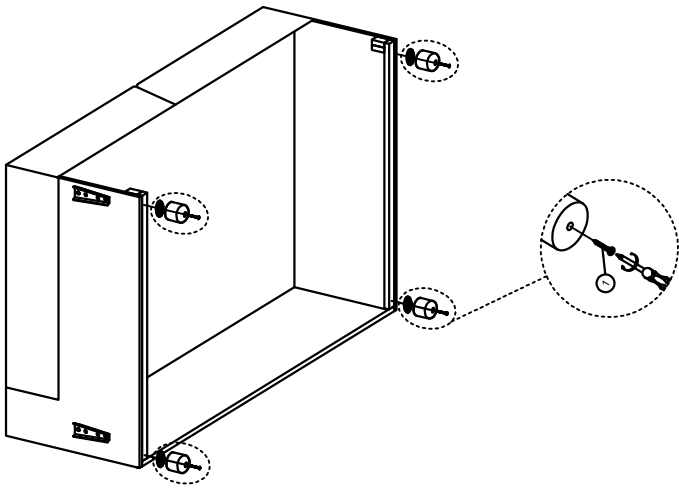


## STEP 6

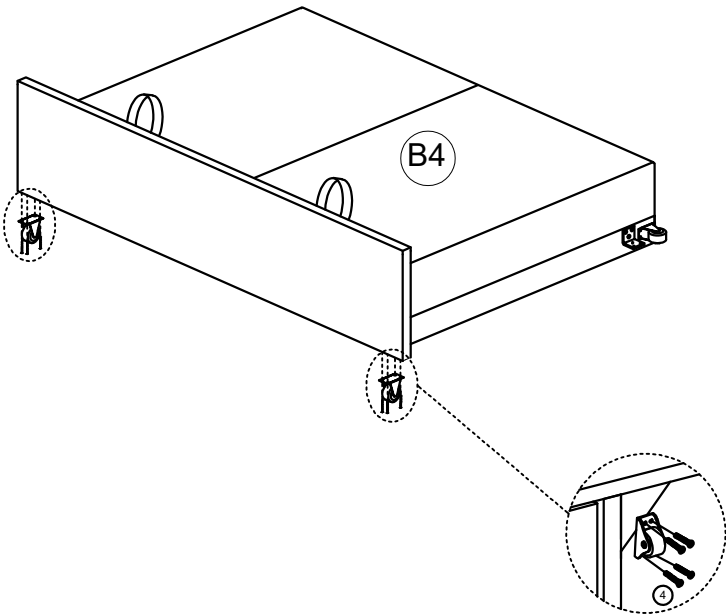


# ASSEMBLY INSTRUCTIONS

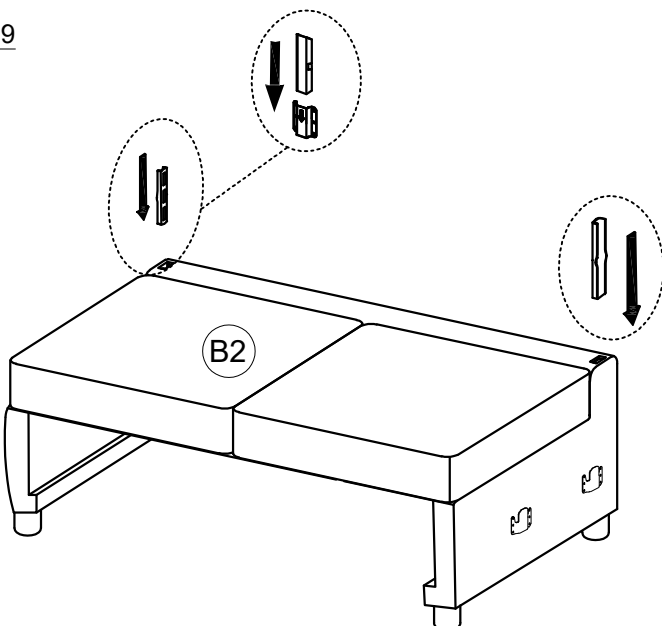
STEP 7



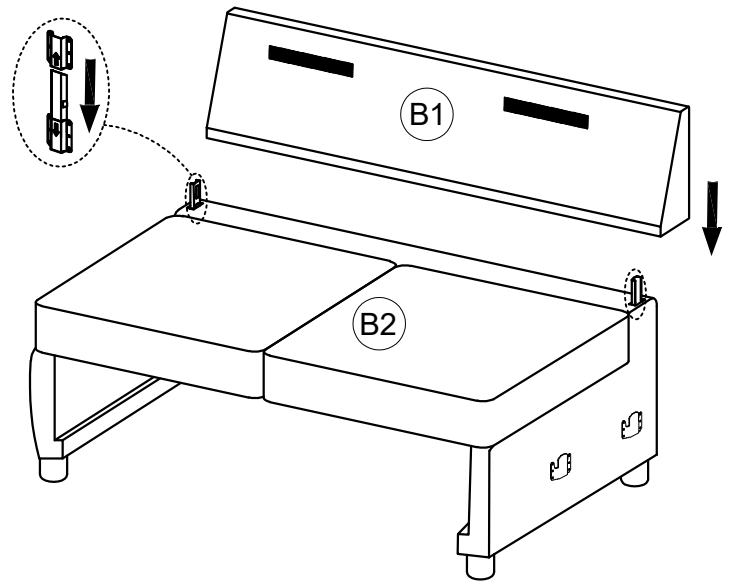
STEP 8



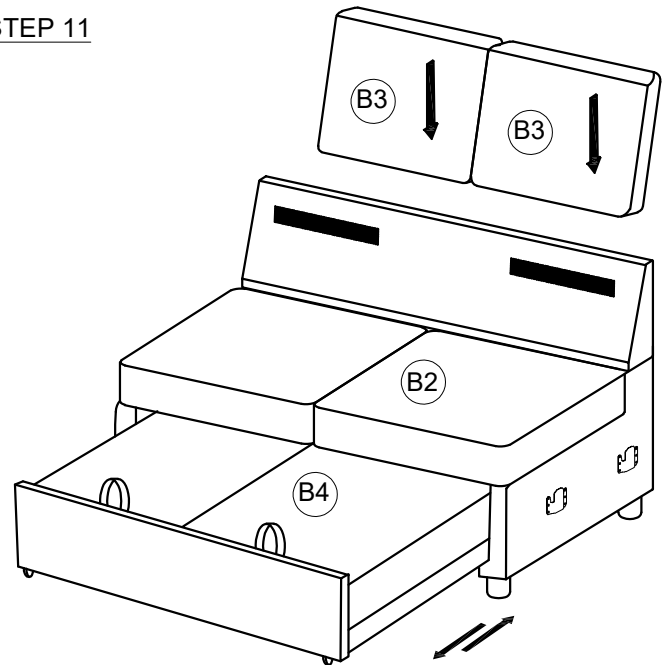
STEP 9



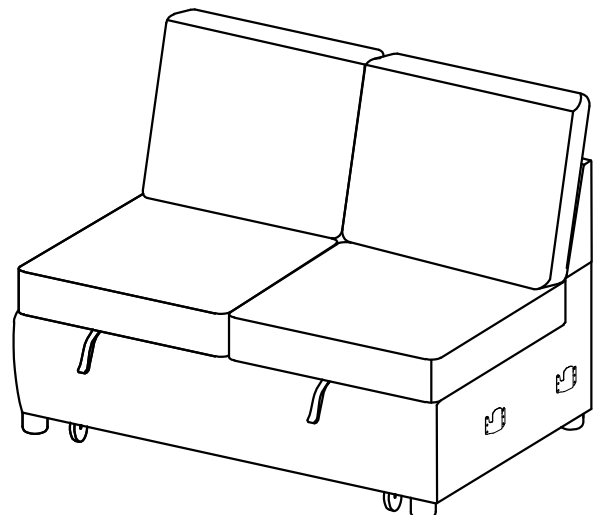
STEP 10



STEP 11

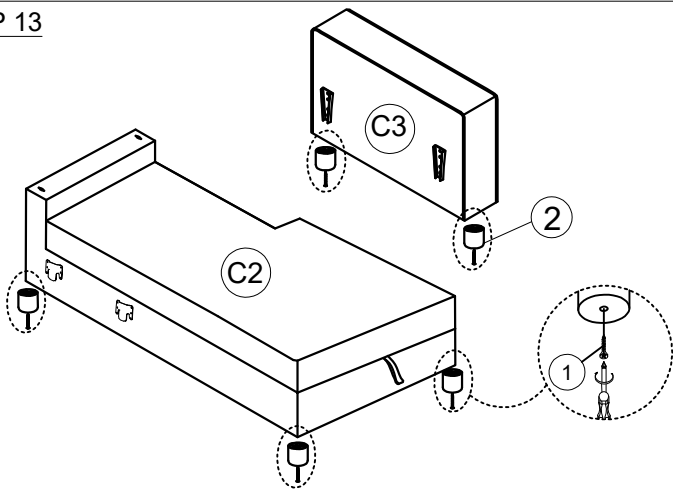


STEP 12

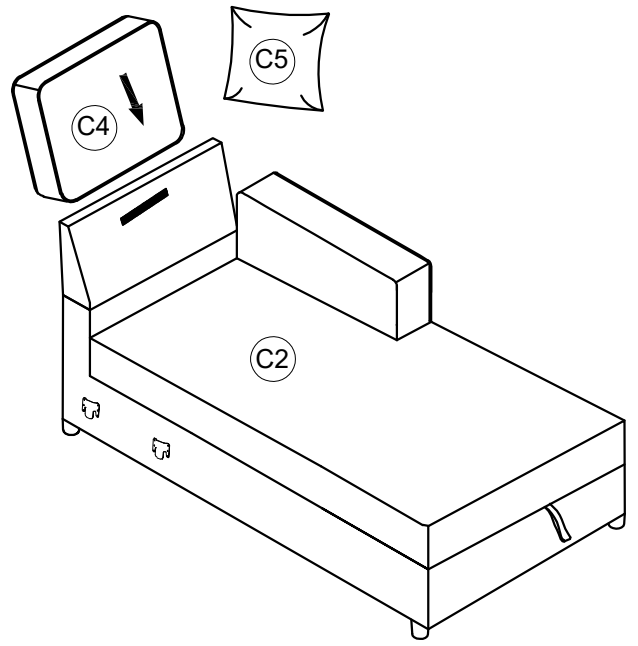


# ASSEMBLY INSTRUCTIONS

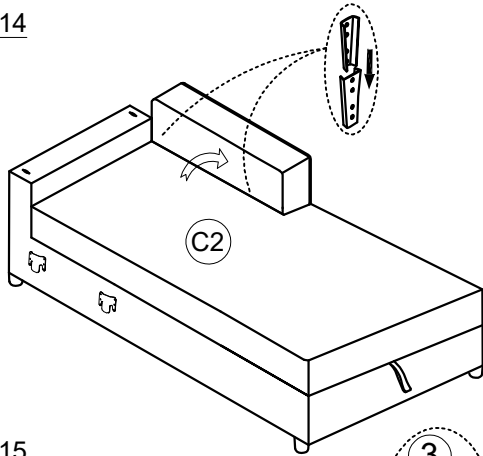
STEP 13



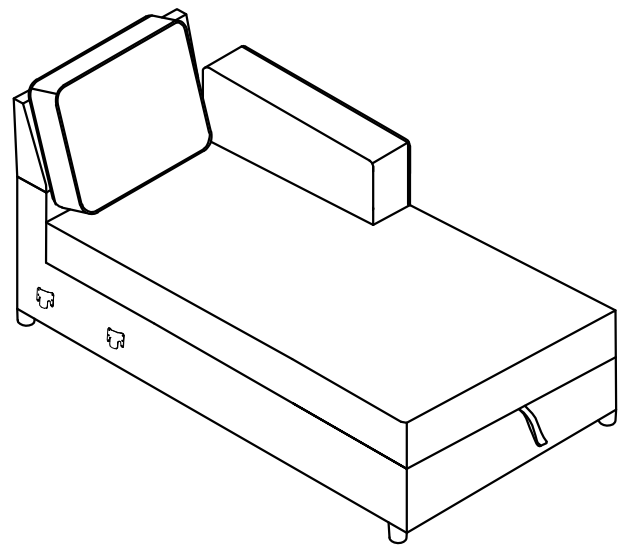
STEP 17



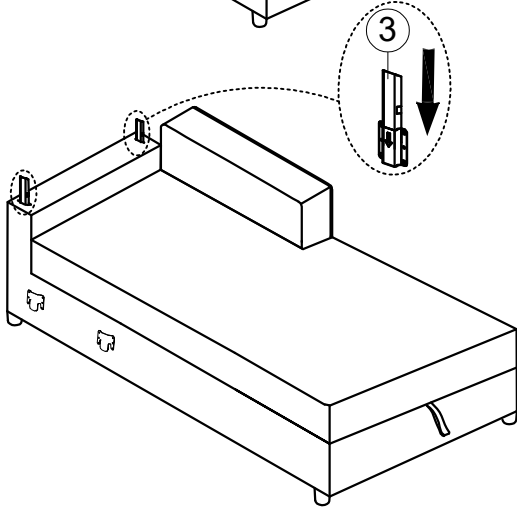
STEP 14



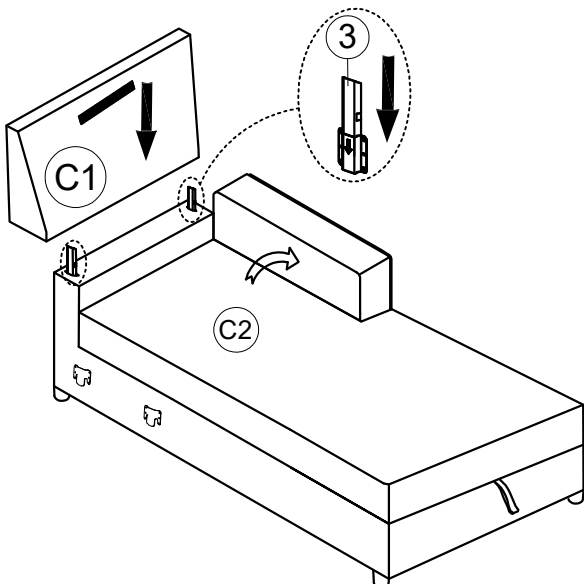
STEP 18



STEP 15

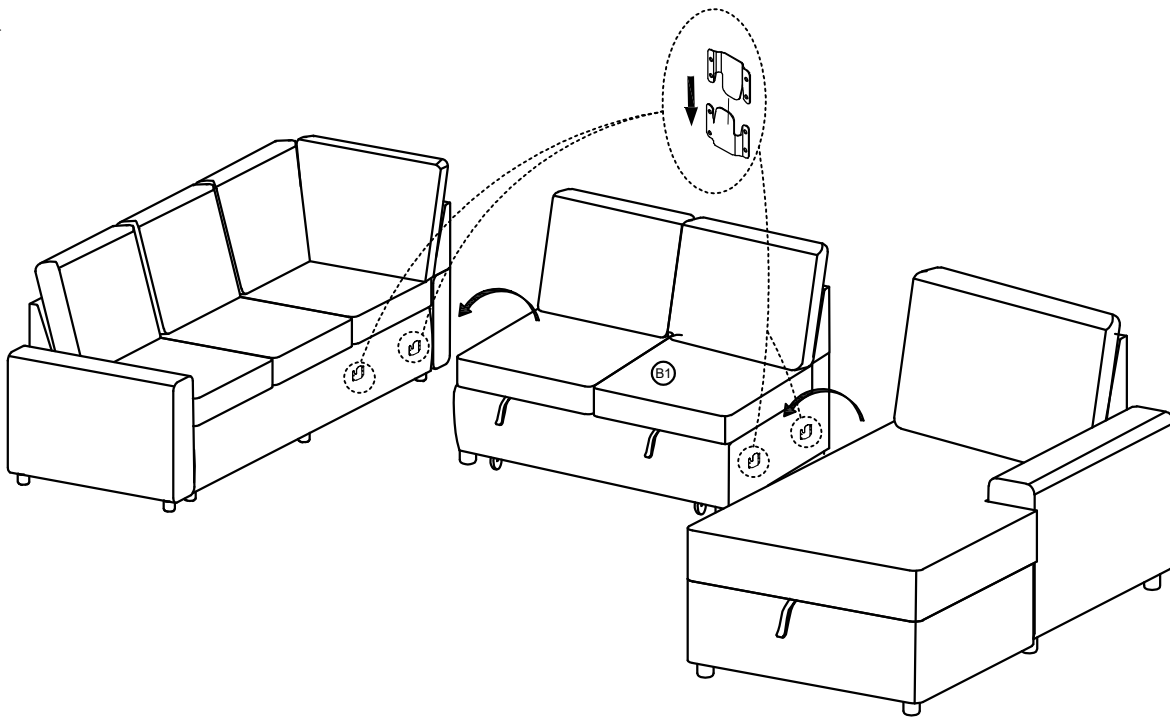


STEP 16

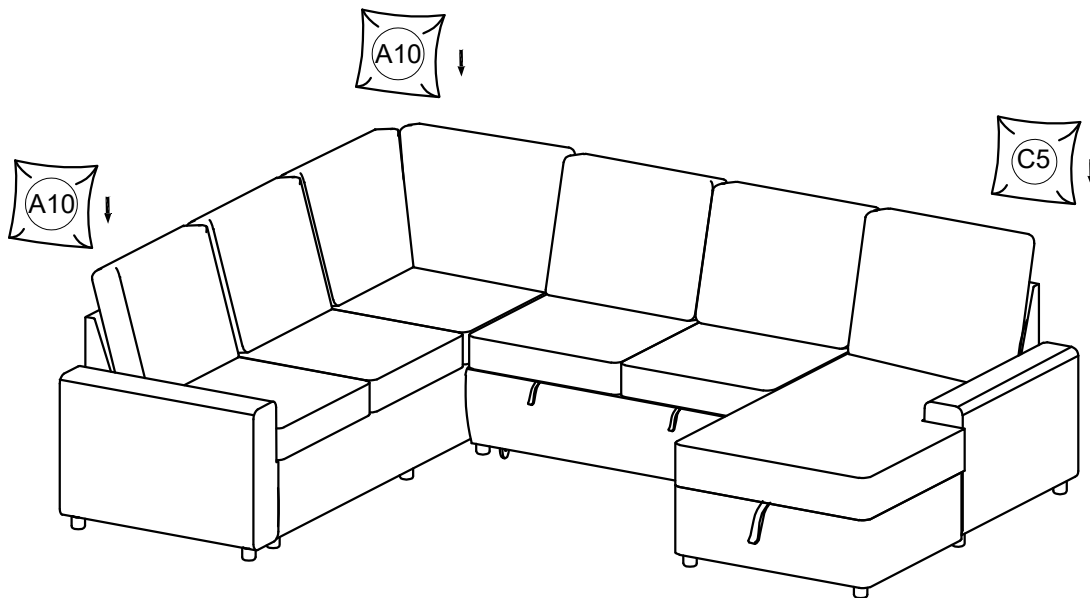


# ASSEMBLY INSTRUCTIONS

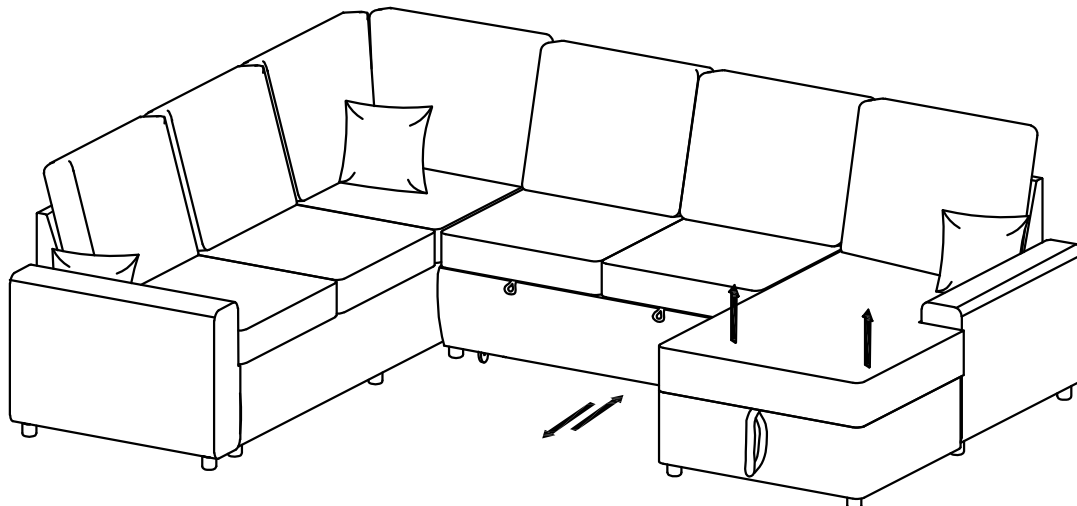
## STEP 19



## STEP 20



## STEP 21



# ASSEMBLY INSTRUCTIONS

COMPLETE

