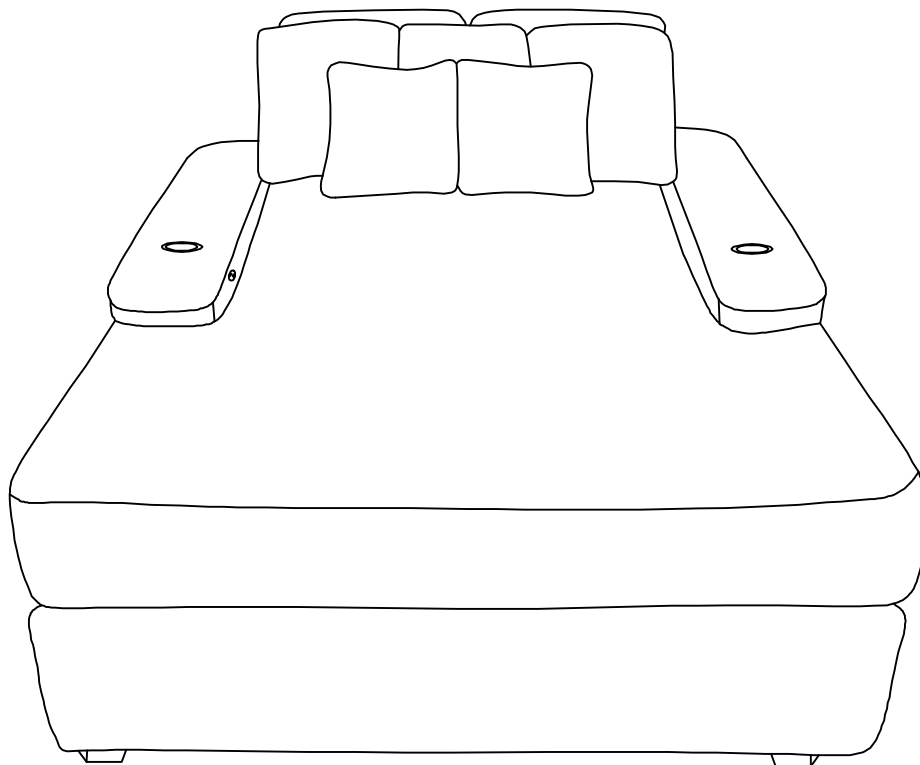


Assembly Instruction

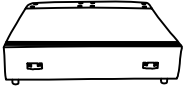

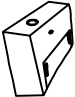



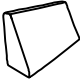

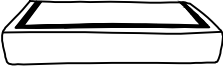
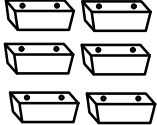

ITEM NO.: 81562 & 81563

**IMPORTANT : PLACE ALL PARTS ON A CLEAN AND SMOOTH SURFACE SUCH AS A RUG OR CARPETTO
AVOID THE PARTS FROM BEING SCRATCHED
KINDLY FOLLOW THE ADDEMBLY INSTRUCTIONS STEP
DO NOT TIGHTEN ALL SCREWS UNTIL THE BED IS FULLY SET-UP
IT TAKES ABOUT ONE TO TWO HOURS TO ASSEMBLE THIS PRODUCT**

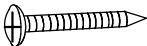




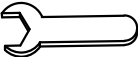


ASSEMBLY INSTRUCTIONS


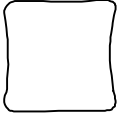
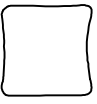

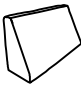
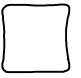
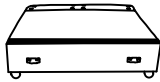
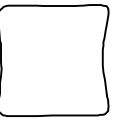
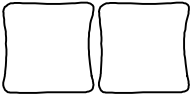
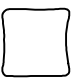
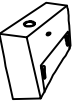

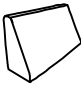
PARTS LIST

NO.	DESCRIPTION	SKETCH	QTY	NO.	DESCRIPTION	SKETCH	QTY
1	Seat Frame		1pc	7	Back Cushion		2pcs
2	Left Arm		1pc	8	Big Pillow		3pcs
3	Right Arm		1pc	9	Small Pillow		2pcs
4	Back Rest Frame		2pcs	10	Feet		2pcs
5	Ottoman		1pc	11	Leg		6pcs
6	Seat Cushion		1pc				

HARDWARE LIST

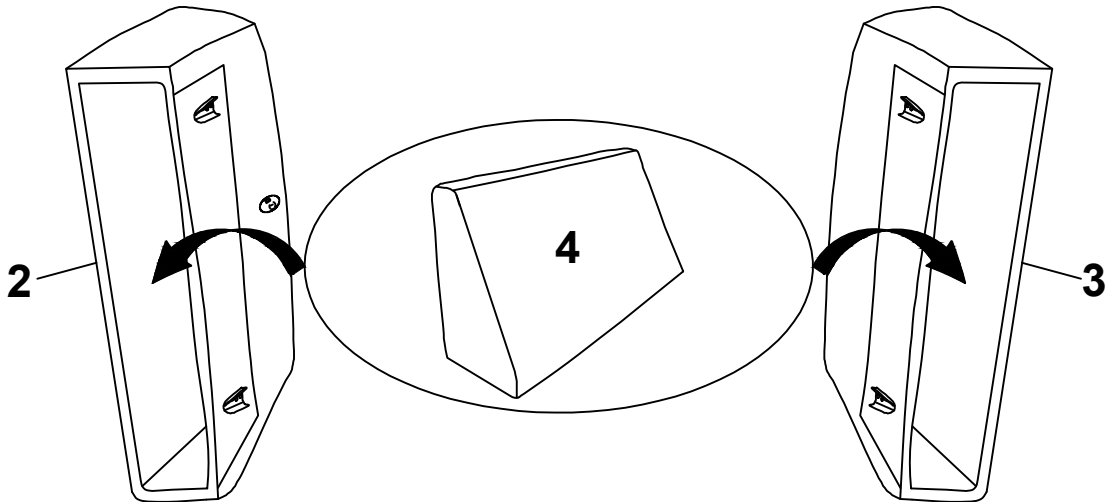
PART	DRAWING	DESCRIPTION	QTY	PART	DRAWING	DESCRIPTION	QTY
A		Screw M4x45mm	14pcs	D		Flat Washer 5/16"x22mm	8pcs
B		Threaded Stud 5/16" x 4"	8pcs	E		Hex Nut5/16"	8pcs
C		Lock Washer 5/16"	8pcs	F		Wrench	1pc

81562 is packed in 2 cases

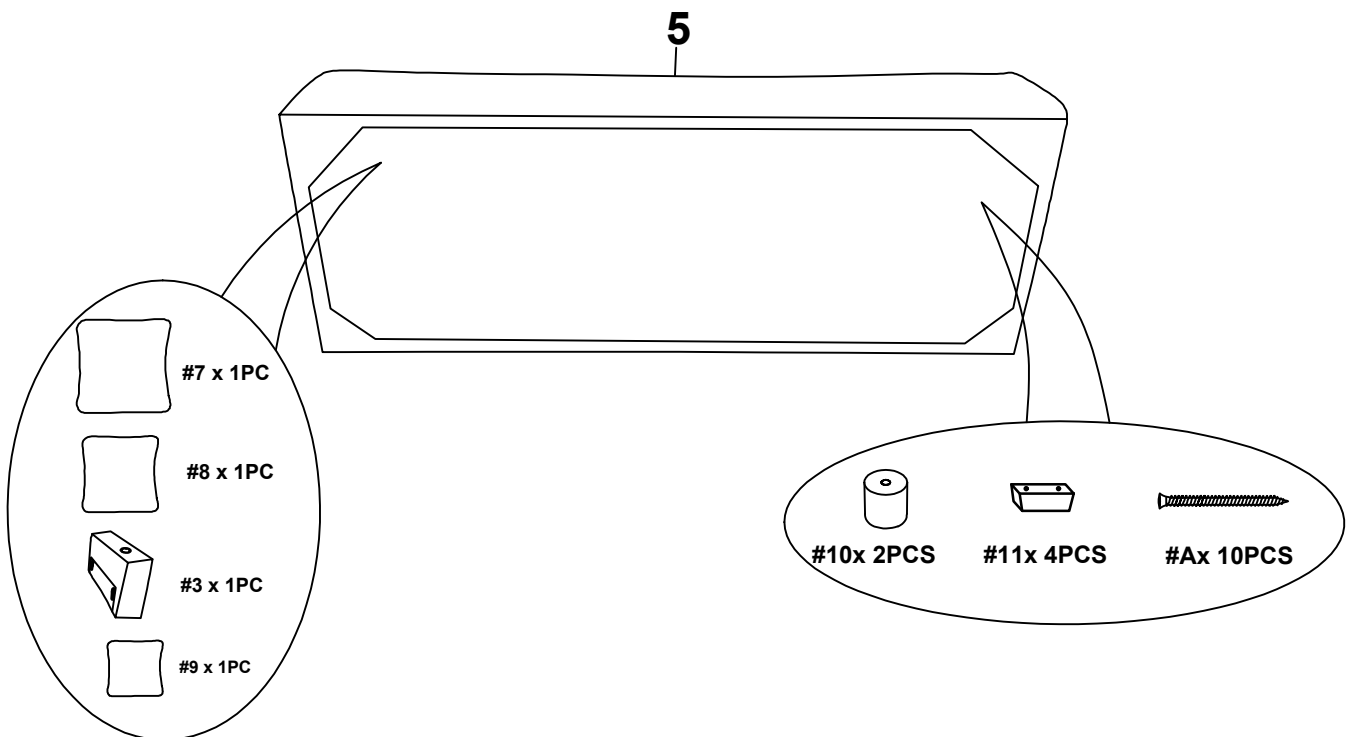
Carton#	Desc#	Part#	Hardware#
1-RO	Ottoman	#5	
	Back Cushion	#7	
	Big Pillow	#8	
	Right Arm	#3	
	Back Rest Frame	#4	
	Small Pillow	#9	
2-RC	Seat Frame	#1	
	Back Cushion	#7	
	Big Pillow	#8	
	Small Pillow	#9	
	Left Arm	#2	
	Seat Cushion	#6	
	Back Rest Frame	#4	

ASSEMBLY INSTRUCTIONS

STEP 1

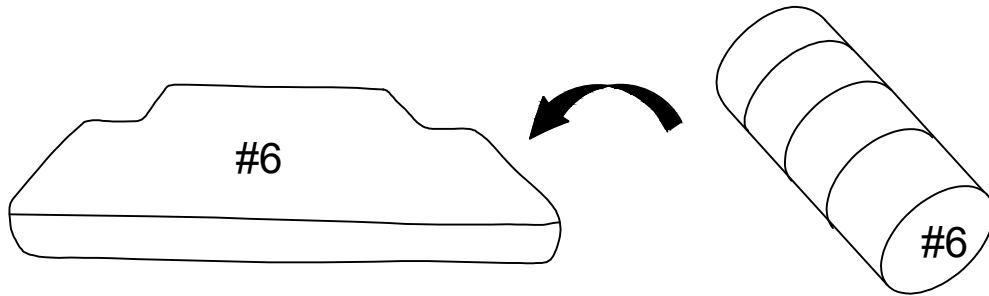


STEP 2

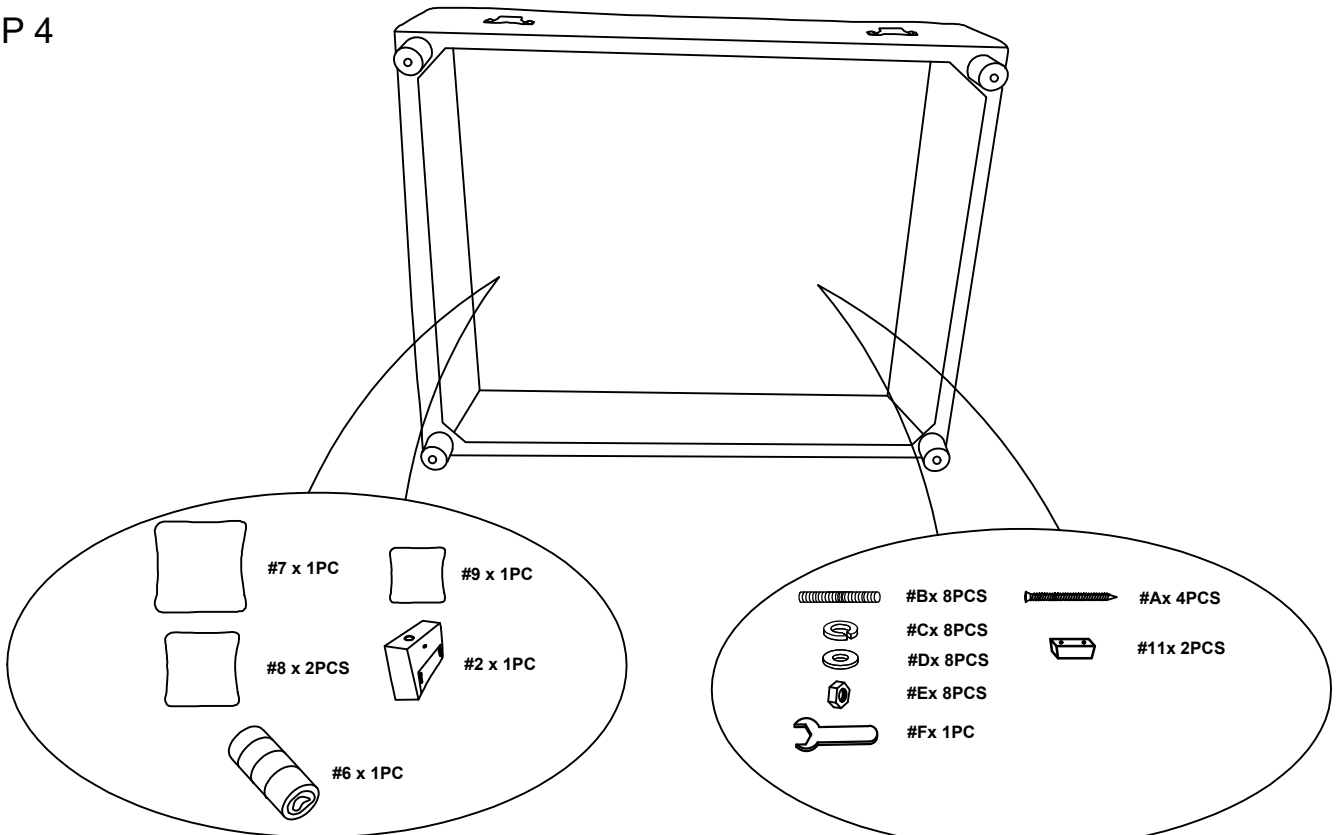


ASSEMBLY INSTRUCTIONS

STEP 3

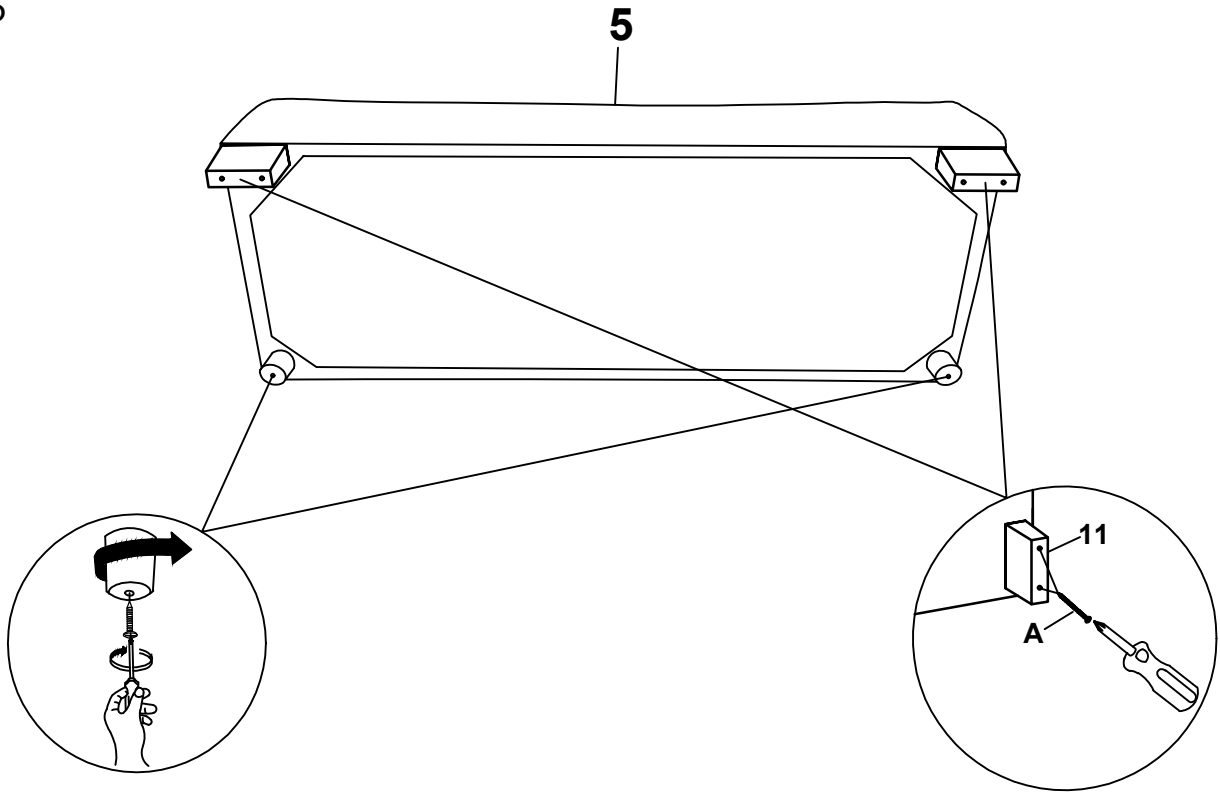


STEP 4

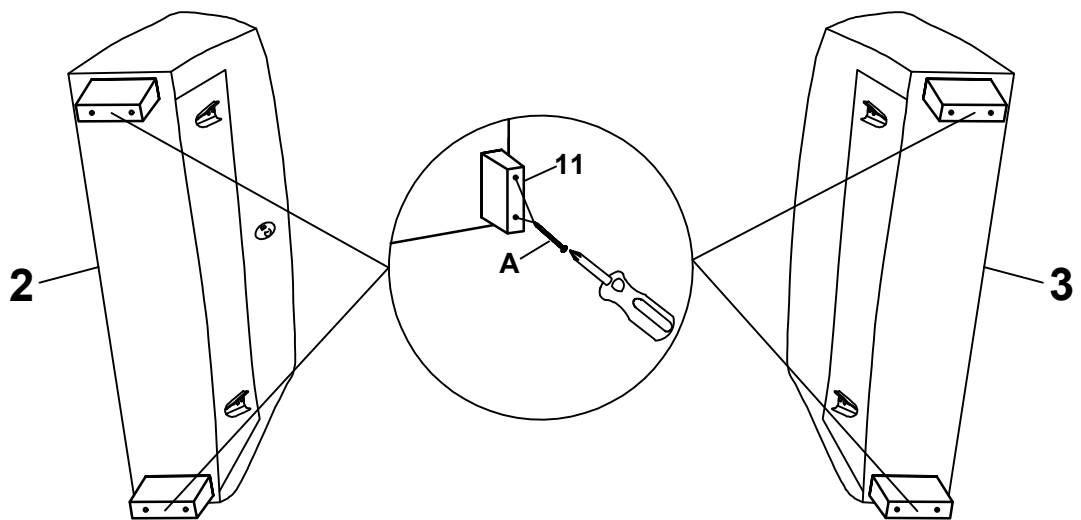


ASSEMBLY INSTRUCTIONS

STEP 5

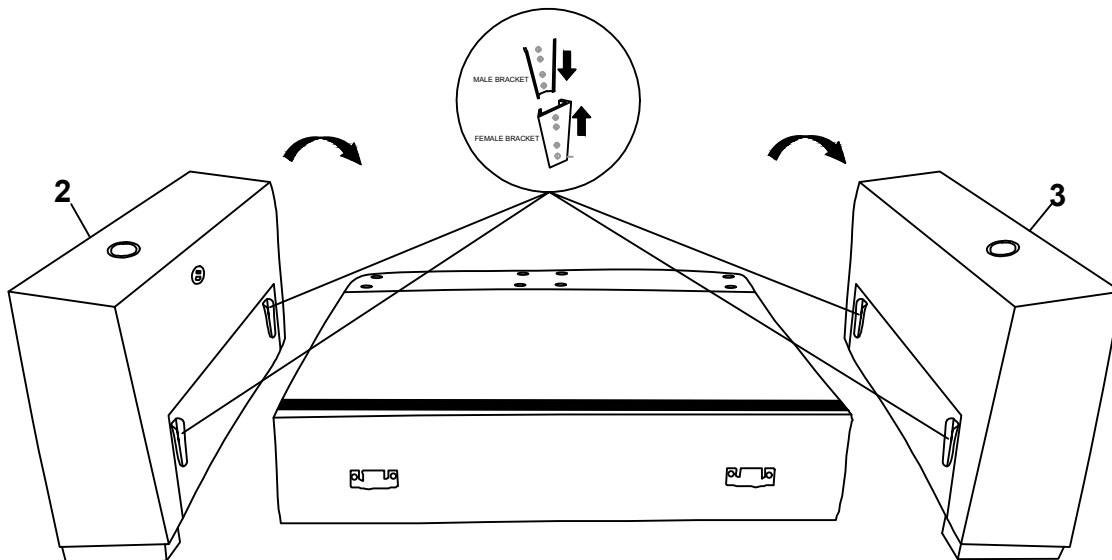


STEP 6

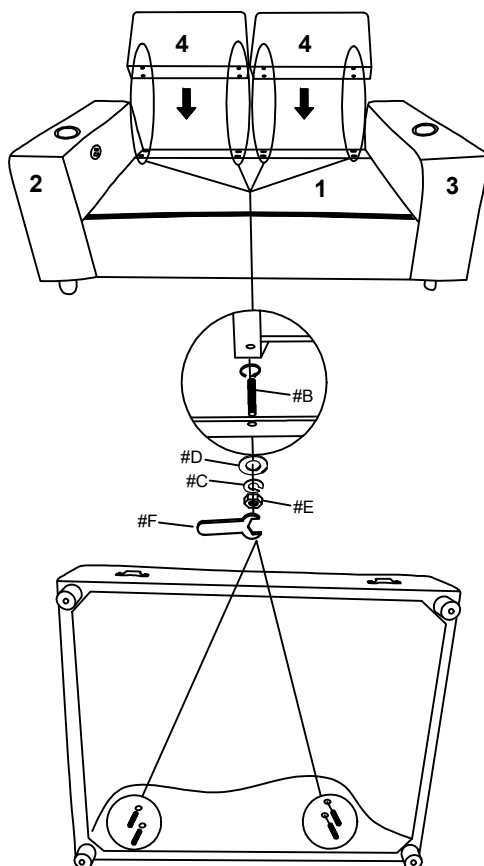


ASSEMBLY INSTRUCTIONS

STEP 7

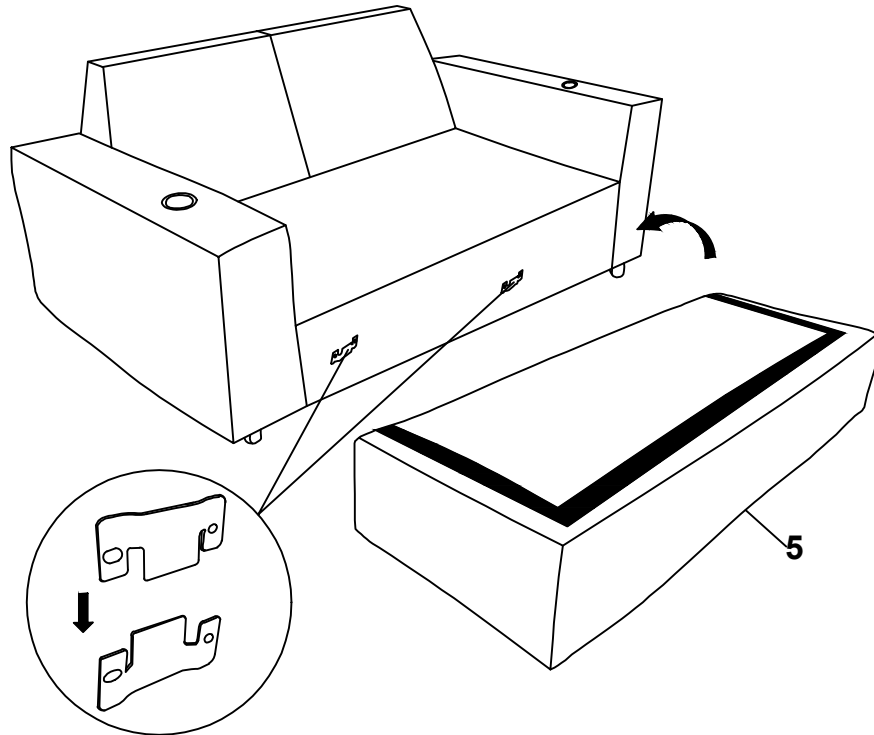


STEP 8

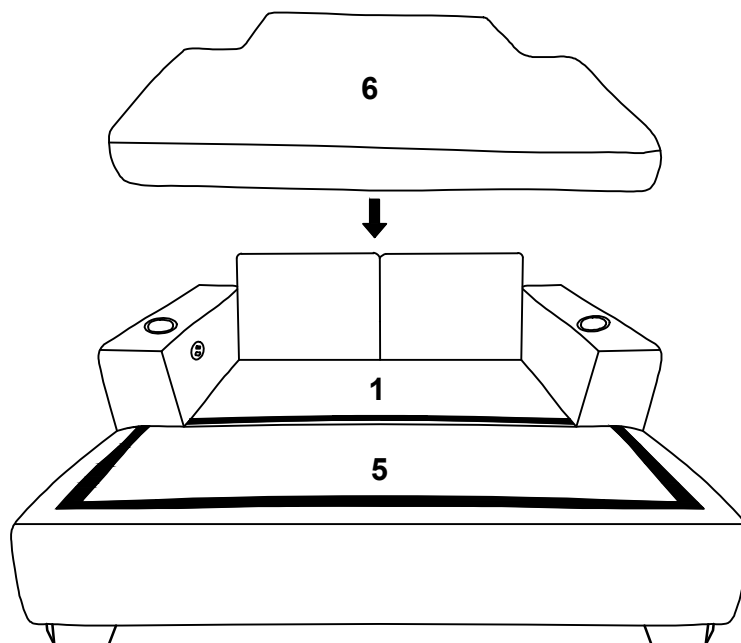


ASSEMBLY INSTRUCTIONS

STEP 9

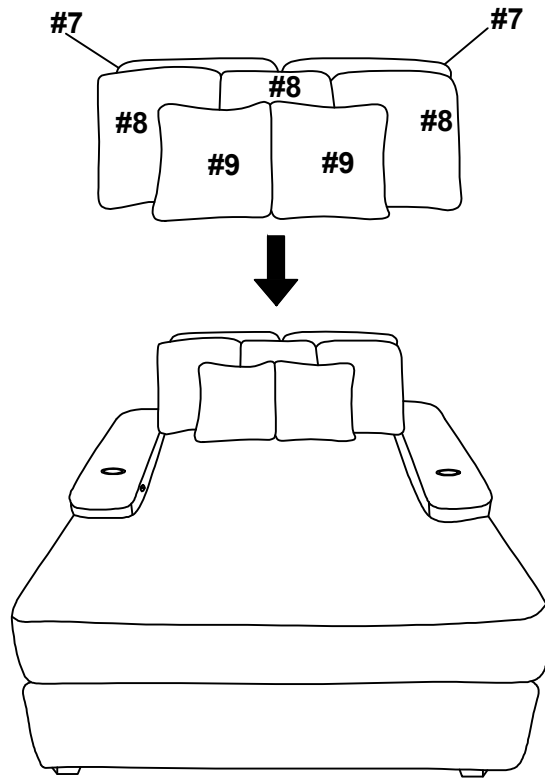


STEP 10



ASSEMBLY INSTRUCTIONS

STEP 11



STEP 12

