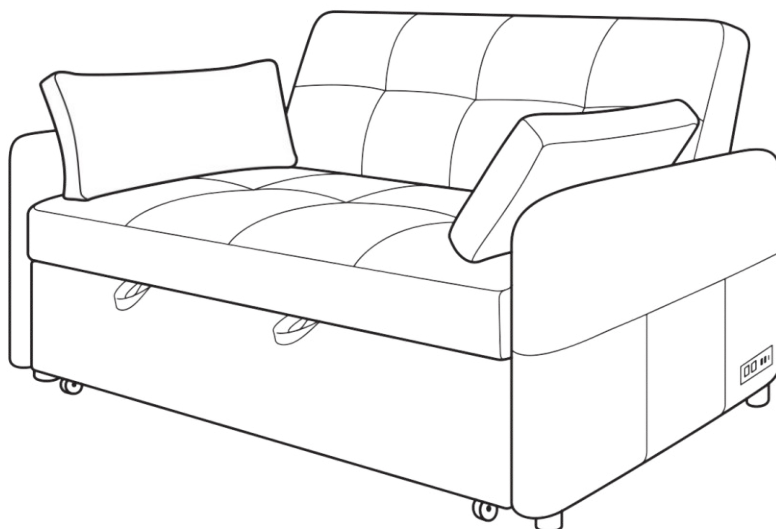


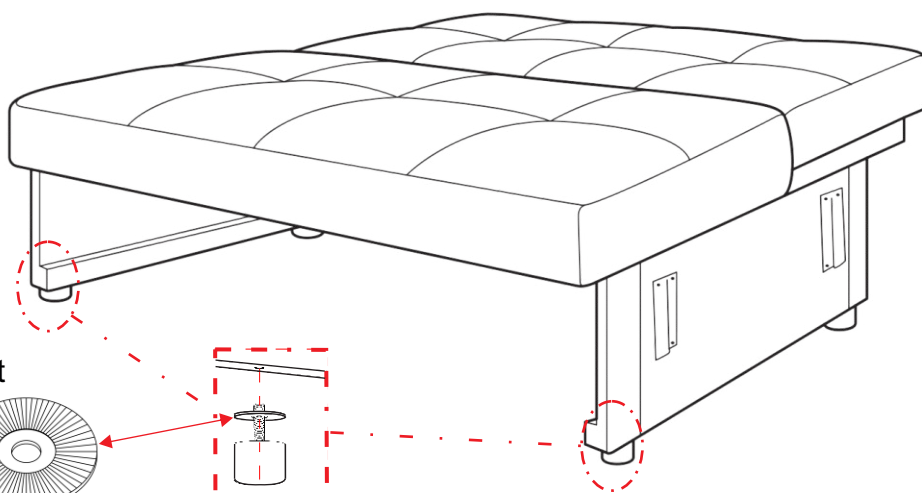
# ASSEMBLY INSTRUCTIONS

81630 & 81631

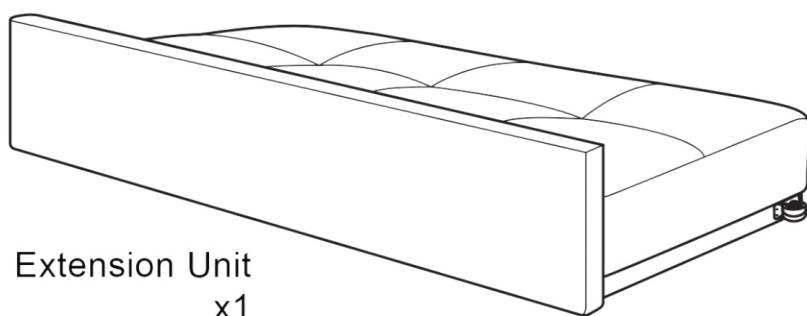
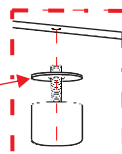
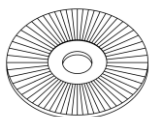


## PARTS

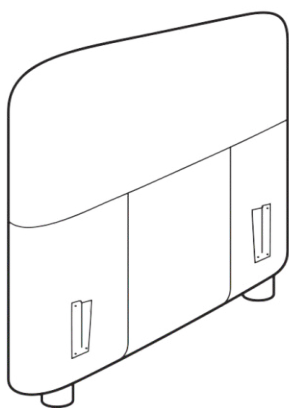
Sofa Body  
x1



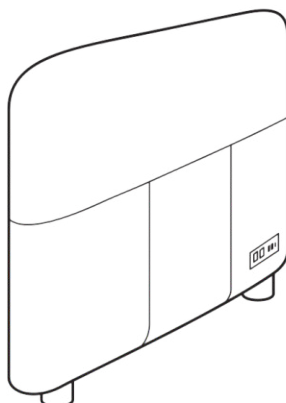
Noted:  
Add plastic washers to the front  
legs of the armrests to level  
the sofa



Extension Unit  
x1



LHF  
Armrest  
x1



RHF  
Armrest  
x1



Pillow  
x2

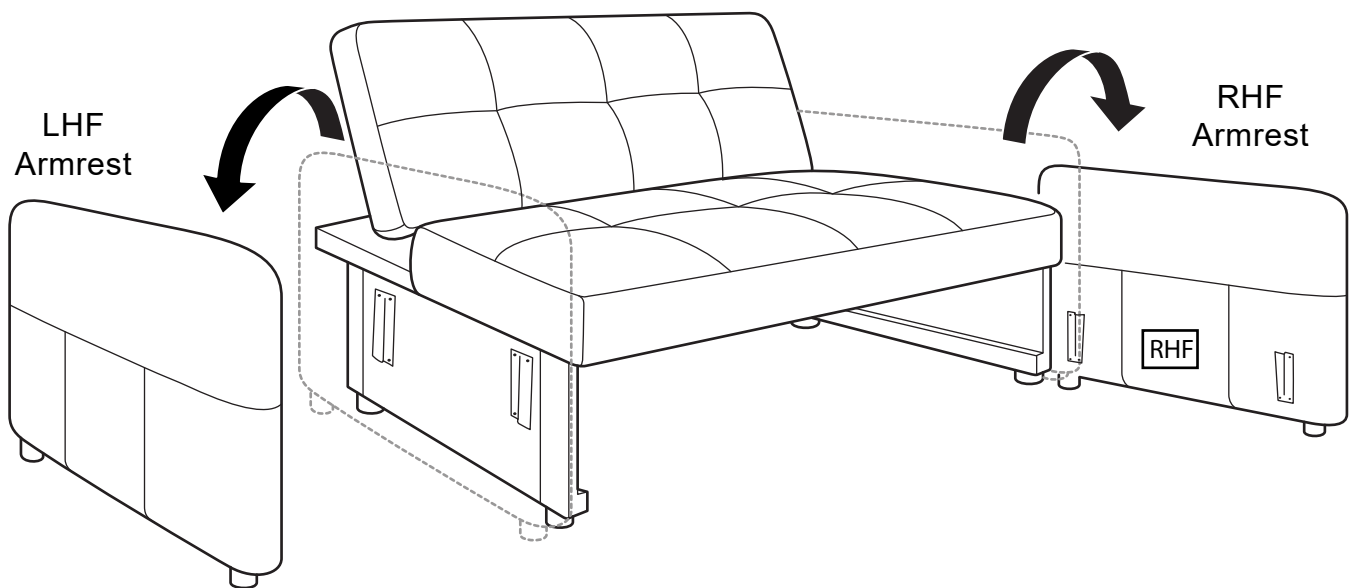
# ASSEMBLY INSTRUCTIONS

**CAUTIONS:** *At least two adults are required to safely complete performing this task. Other lifting attempts may risk back injury due to large and heavy part(s).*

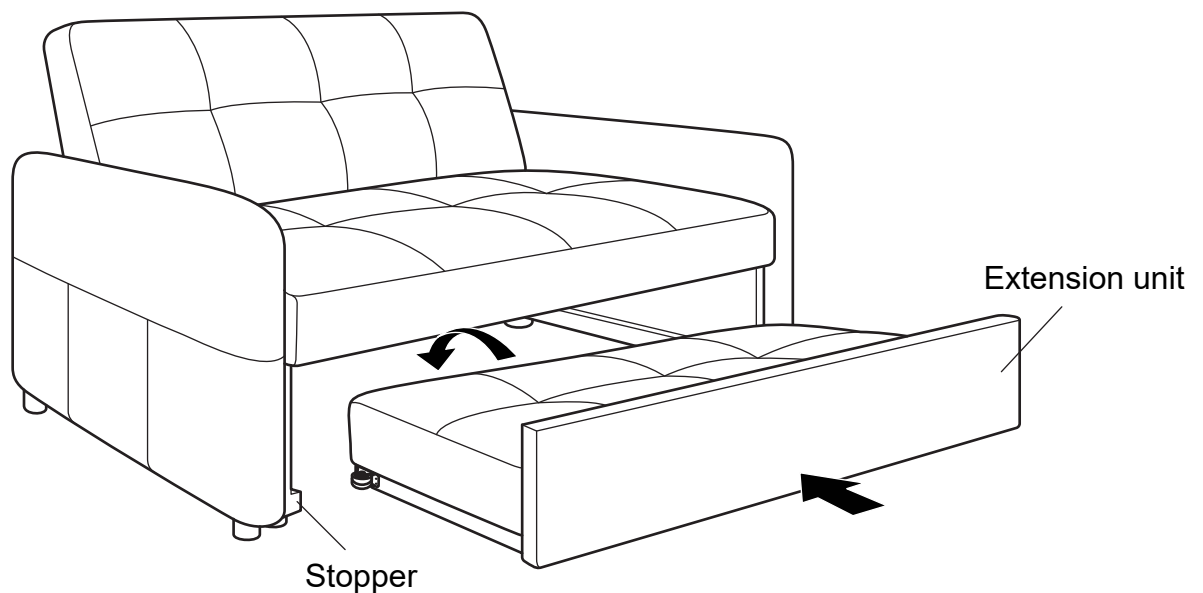


- 1** Hold one armrest upright while another person lifts the sofa body unit and slotting into arm's metal plates. Slightly press the armrest to tighten. Ensuring both are fully slotted and secured in positions.

Please refer to the label at side of the armrest, RHF is for Right Armrest, and LHF is for Left Armrest.



- 2** Slightly lift the extension unit, ensure the roller is secure passes the stopper, sliding the extension unit all the way into the bottom of the sofa.



# OPERATING YOUR UNIT

## Converting to Sofa

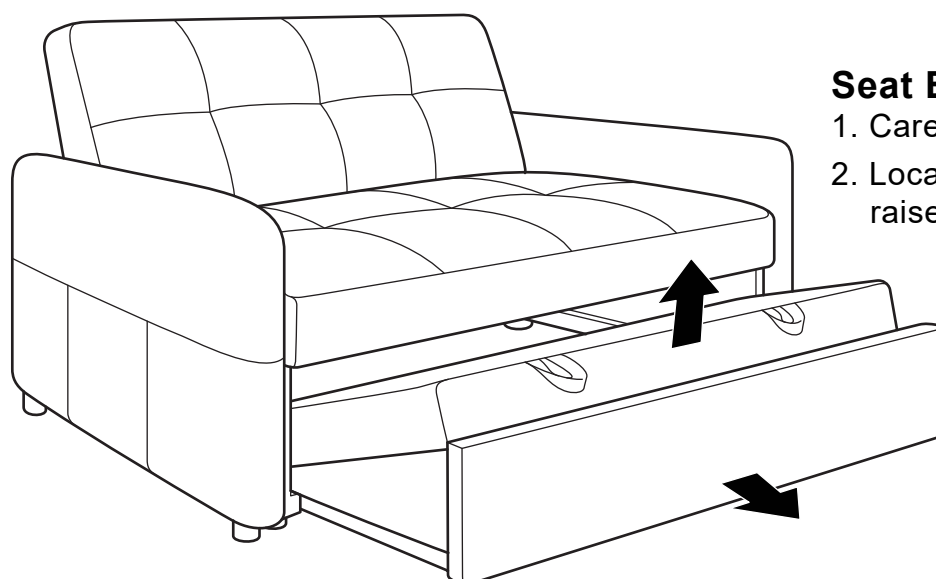
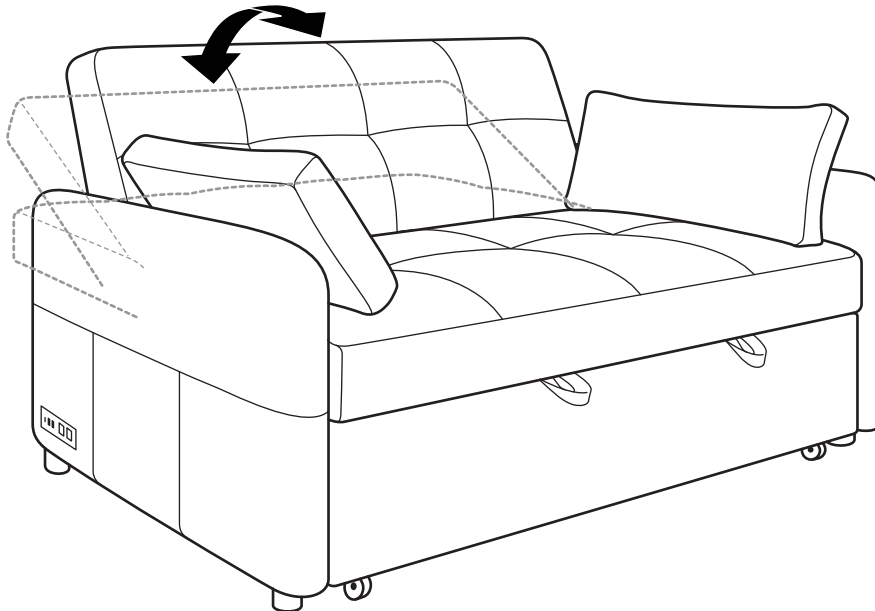
In bed (flat) position, simply lift backrest upwards with each click sound until you reach the sofa position.

## Converting to Lounger

In bed position, lift backrest upwards with each click sound until a desired lounging position is reached. Pull out seat extension to convert as a chaise (refer Seat Extension Feature below).

## Converting to Bed

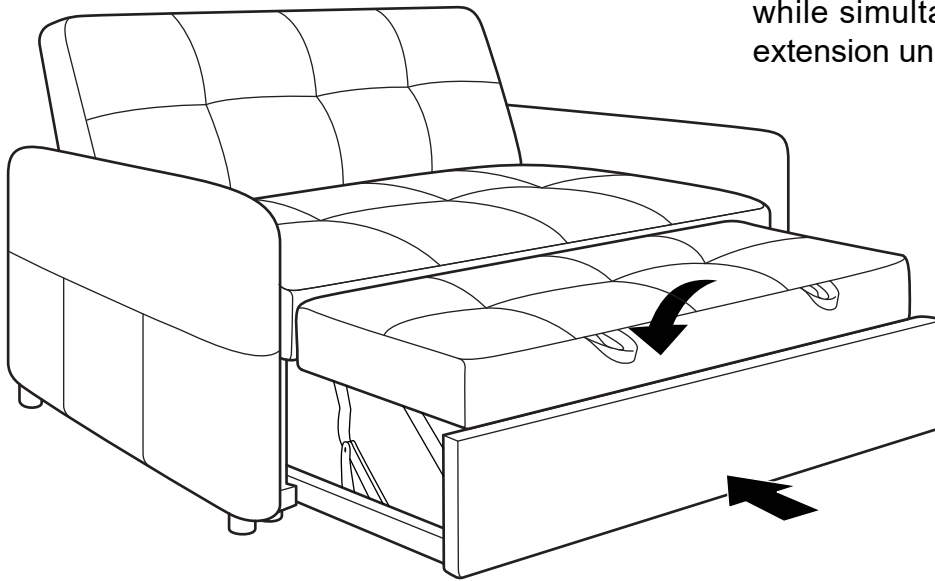
From sofa or lounging position, lift the backrest all the way upwards until the last click is heard which unlocks the mechanism and carefully return to a flat position. Pull out seat extension to convert as a chaise (refer Seat Extension Feature below).



### Seat Extension Feature

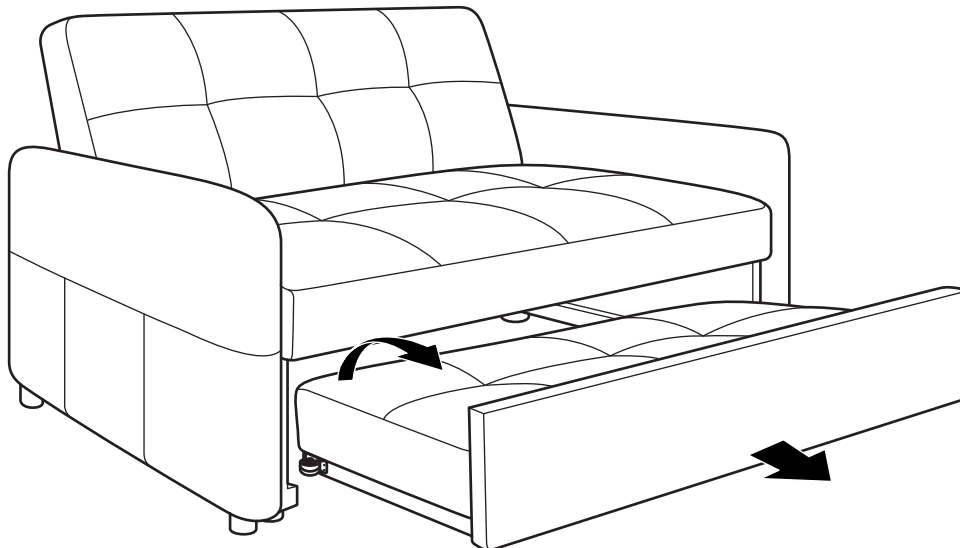
1. Carefully pull out the extension unit.
2. Locate and pull both handgrips to raise the cushion.

3. To restore, push cushion top down while simultaneously sliding the extension unit all the way into the sofa

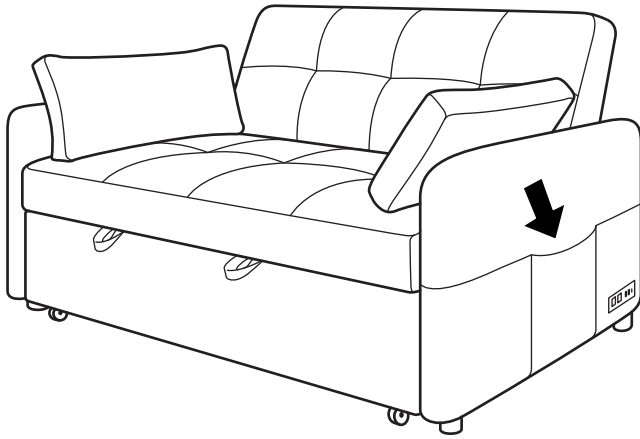


### Accessing Extension unit

Carefully pull out the extension unit as shown. Before reach the end of the track, slightly lift and pull out the extension unit.

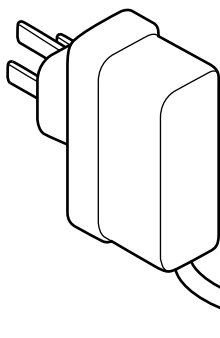
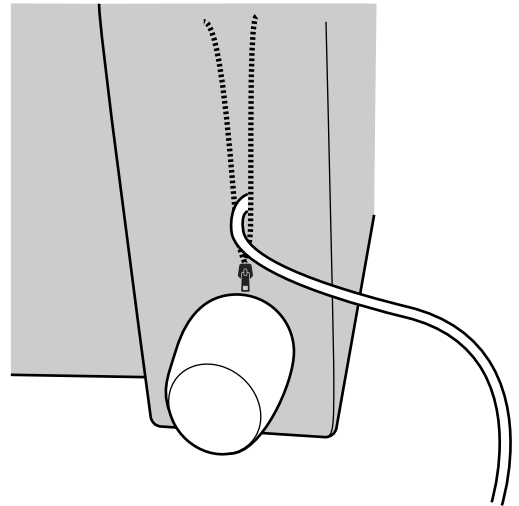


To restore, slightly lift and push in the extension unit, once the roller secure passes the stopper, sliding the extension unit into position.



Armrest came with convenient side pockets for easy small item storage.

Locate and unzip zipper at bottom of RHF armrest, pull out the cable to use.



Plug directly into a wall outlet.  
Do not use an extension cord,  
adapter or surge protector.

### POWER OUTLET FEATURE

The sofa unit comes with a USB & USB-C power point that is handy for powering or charging your electronic devices while eliminating wire clutter.

The Power Outlet contain:

- 2 x Power Socket
- 2 x USB Port
- 1 x USB-C Port

