

# ASSEMBLY INSTRUCTIONS

## ITEM # 30045- C DAVOS DINING CHAIR

Please read instructions carefully

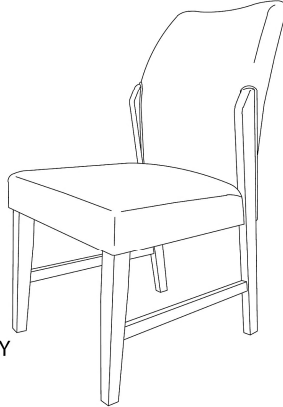
Remove all wrapping materials, staples and packing straps from the carton. Refer to Parts List and Hardware List and ensure they are complete before you start assembling. Place all wooden parts on a clean, flat and soft surface (e.g carpet or rug) to prevent parts from being scratched.

CAUTIONS:

- 1) DO NOT FULLY TIGHTEN BOLTS AND NUTS UNTIL ALL PARTS HAVE BEEN ASSEMBLED.
- 2) DO NOT OVER-TIGHTEN BOLTS AND NUTS UNTIL ALL PARTS HAVE BEEN ASSEMBLED.
- 3) KEEP ALL HARDWARE PARTS OUT OF REACH CHILDREN.







### PART LISTS (FOR 2 NOS. OF CHAIRS)

NO.	COMPONENT	QTY.
P1	CHAIR SEAT	2
P2	CHAIR BACK	2
P3	FRONT LEG with sticker (L)	2
P4	FRONT LEG with sticker (R)	2
P5	CROSS BAR with sticker (L)	2
P6	CROSS BAR with sticker (R)	2






COMPLETE ASSEMBLY

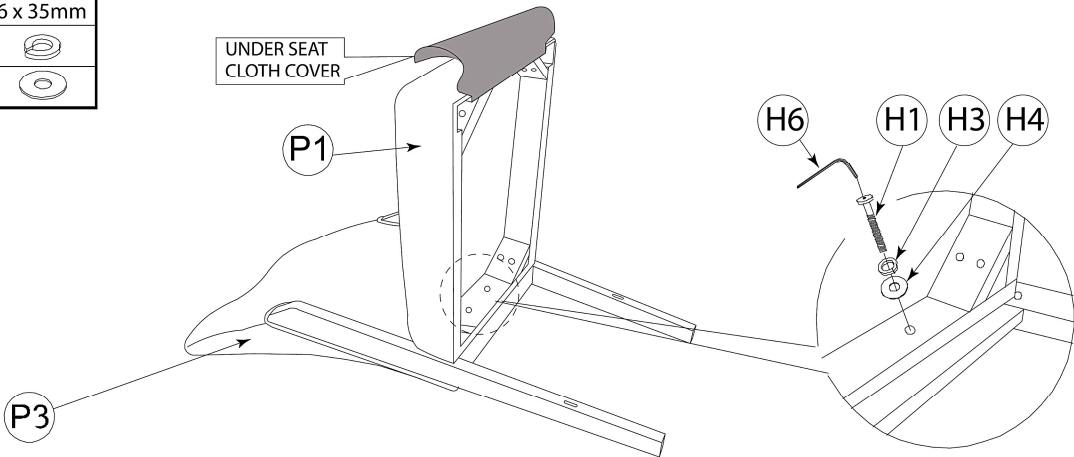
### HARDWARE LIST (FOR 2 NOS. OF CHAIR)

	DESCRIPTION	QTY.
H1	M6 x 35mm JCBC SCREW 	4
H2	M6 x 70mm JCBC SCREW 	16
H3	SPRING WASHER 	20
H4	FLAT WASHER 	20
H5	M4 x 38mm CSK SCREW 	8
H6	ALLEN KEY 	1
H7	NAIL LEG 	8

### STEP 1




Take the Chair Seat (P1), peel of the cloth cover underneath the seat. Attach (P1) to the Chair Back (P3). Align Bolts (H1) fits with Spring Washer (H3) & Flat Washer (H4). Use Allen Key (H6) to tighten the bolts

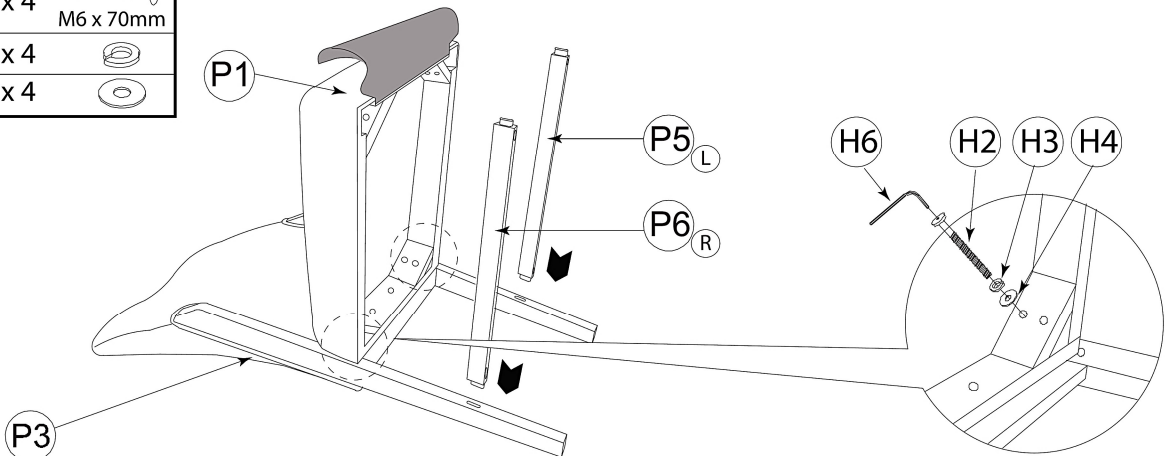
H1 x 2	 M6 x 35mm
H3 x 2	
H4 x 2	



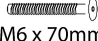


### STEP 2

Align Bolts (H2) fits with Spring Washer (H3) & Flat Washer (H4). Use Allen Key (H6) to tighten the bolts. Assemble both Cross Bars (P5) & (P6) to the back legs as shown.

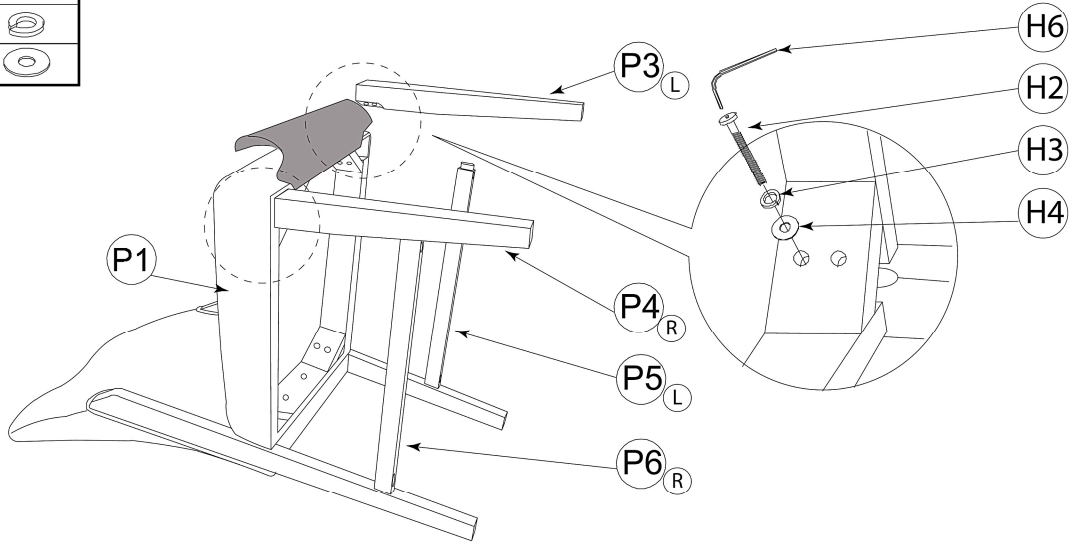
H2 x 4	 M6 x 70mm
H3 x 4	
H4 x 4	



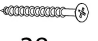
### STEP 3

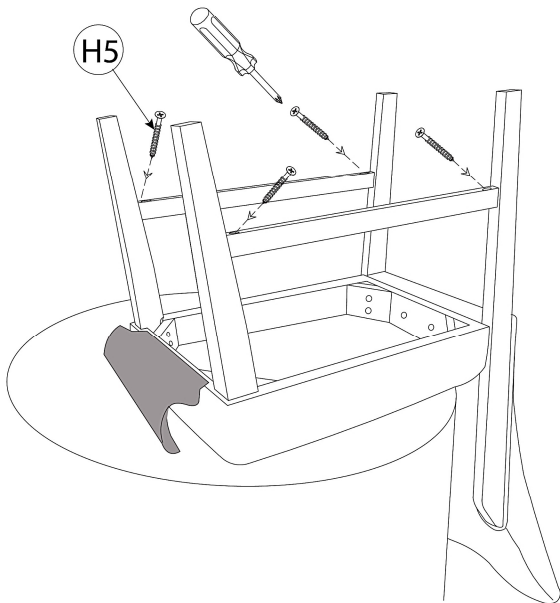
H2 x 4	
M6 x 70mm	
H3 x 4	
H4 x 4	

Assemble Front Legs (P3) & (P4) to the Chair Seat (P1). Align Bolts (H2) that fits with Spring washer (H3) & Flat Washer (H4). At the same time insert the Cross bars (P5) to Front Leg (P3) while Cross bar (P6) to insert to Front leg (P4). Half tighten the bolt using Allen Key (H6).



### STEP 4

H5 x 4	
M4 x 38mm	

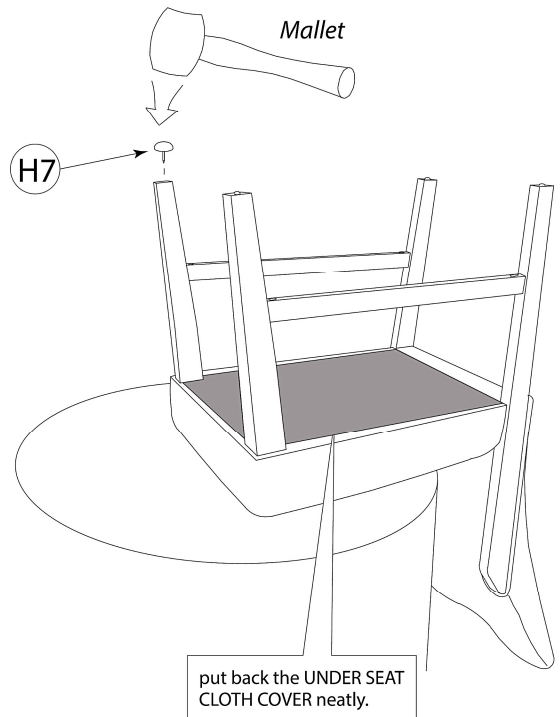


Align Screw (H5) to fit all the stretchers. Tighten the screws by using a household screwdriver.  
At this stage, put the chair upright on a flat surface and ensure all the legs stand level. Then, fully tighten all bolts and screws.

### STEP 5

Install the Nail leg (H7) to each chair Leg.

H7 x 4	
--------	---



Once you ensure the chair stands level on a flat surface & no wobble, Then, put the Under-seat Cloth Cover back neatly in its place.

#### CARE AND MAINTENANCE

- SAFETY** - To avoid any risk of suffocation to children and animals, dispose off plastic bags immediately.
- CLEANING** - Clean with damp cloth and mild detergent. Do not use bleach or abrasive products.
- FITTINGS** - tighten bolts and nuts from time to time to ensure all parts of product are securely fitted.