

ASSEMBLY INSTRUCTIONS

ITEM # 30050-C JASPER PUB CHAIR



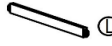

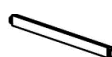

Important safety instructions :

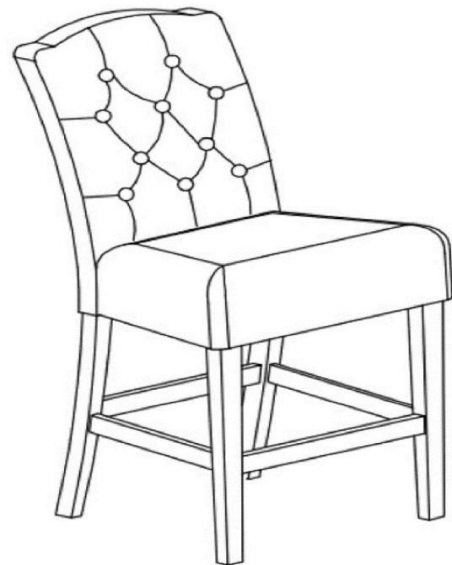
- Please read carefully all instructions before assembly.
- For your safety and ease, assembly by two or more adults is recommended.
- Keep instructions for future use.

Pre-assembly:






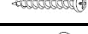

- Do not discard any contents until assembly is complete to avoid accidentally discarding small parts or hardware.
- Remove all parts and hardware from box along with any plastic protective packaging.

Parts List

Item	Description		QTY
P1	Chair Back		1
P2	Seat Cushion		1
P3	Left Stretcher		1
P4	Right Stretcher		1
P5	Front Stretcher		1
P6	Front Legs		2



Hardware List

Item	Description		QTY
H1	JCBC SCREW M8X90MM		4
H2	JCBC SCREW M8X50MM		7
H3	M8 SPRING WASHER		11
H4	M8 FLAT WASHER		11
H5	ALLEN KEY		1
H6	CSK screw M4 x 38mm		6
H7	NAIL LEG		8

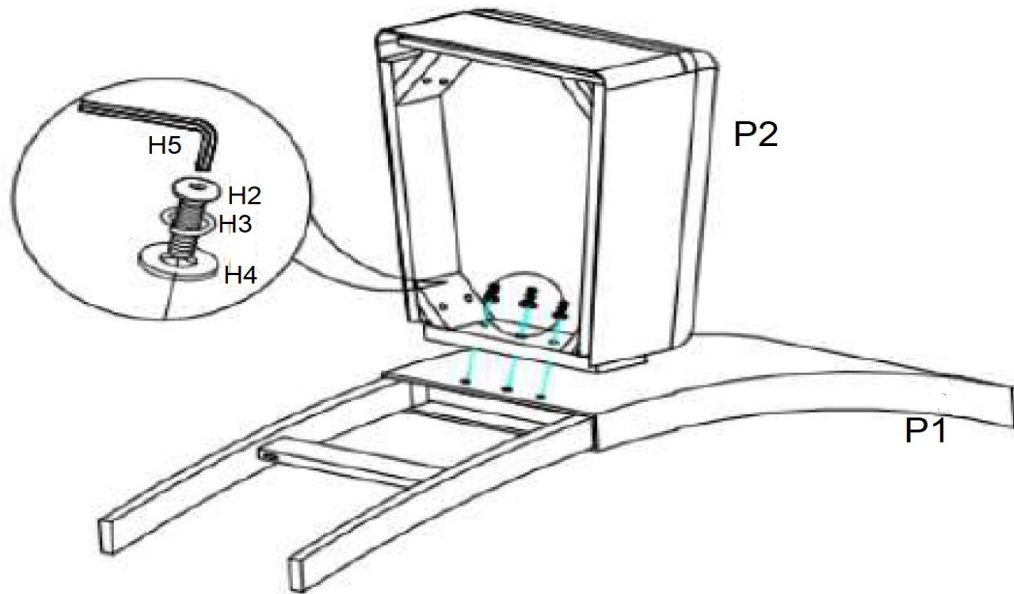
DISCLAIMER :

**WHEN PROPERLY ASSEMBLED, THIS ITEM IS SAFE FOR INTENDED USE.
SELLER IS NOT LIABLE FOR ANY DAMAGES RESULTING FROM ITEM BEING IMPROPERLY ASSEMBLED
AFTER PURCHASE.**

Assembly Procedures:

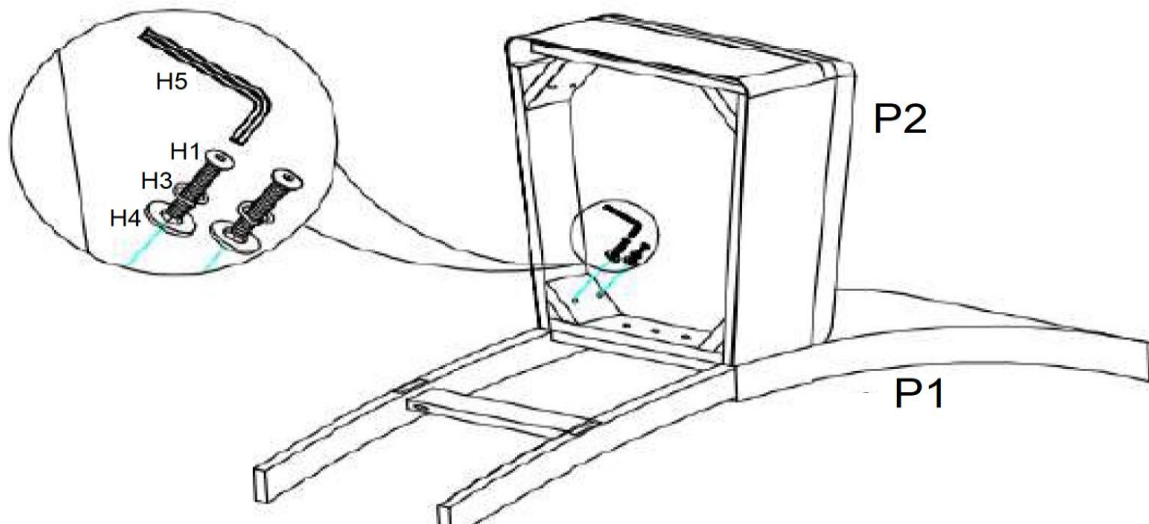
Step 1.

- 1) Assemble the stool on a flat, soft surface such as carpet or cloth to prevent scratching the finish.
 - 2) Attach the Seat Cushion (P2) to Chair Back (P1) using Allen Wrench (H5), Short Bolts (H2), Lock Washer (H3), and Flat Washers (H4).
- Do not fully tighten at this step .



Step 2 .

- Secure the corner blocks of Seat Cushion (P2) to the legs of Chair Back (P1) with Allen Wrench (H5), Long Bolts (H1), Lock Washers (H3) and Flat Washers (H4).
- Do not fully tighten at this step .

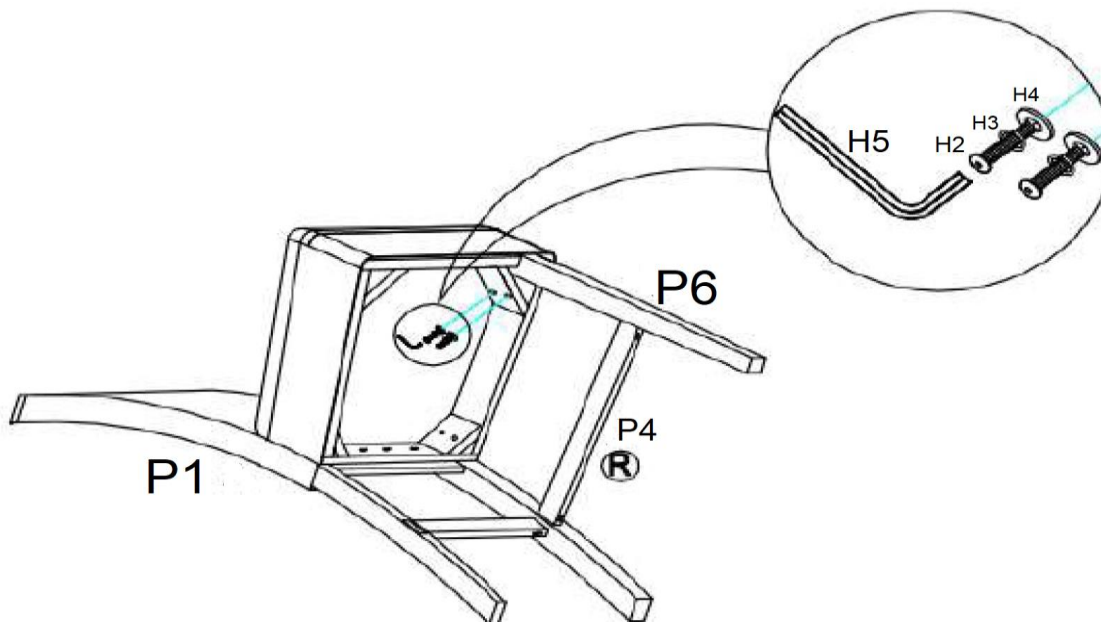


Step 3:

Attach the Right Stretcher (P4) to the right leg of Chair Back (P1) according to the label "R" at the pre-drilled hole of the right leg of Chair Back (P1) and the front end of Stretcher (P4).

2) Loosely attach one the Front Leg to the right-side bottom of Seat Cushion (P2) and Stretcher (P4) using Allen Wrench (H5), Short Bolts (H2), Lock Washers (H3) and Flat Washers (H4) .

Do not fully tighten at this step .



Step 4 :

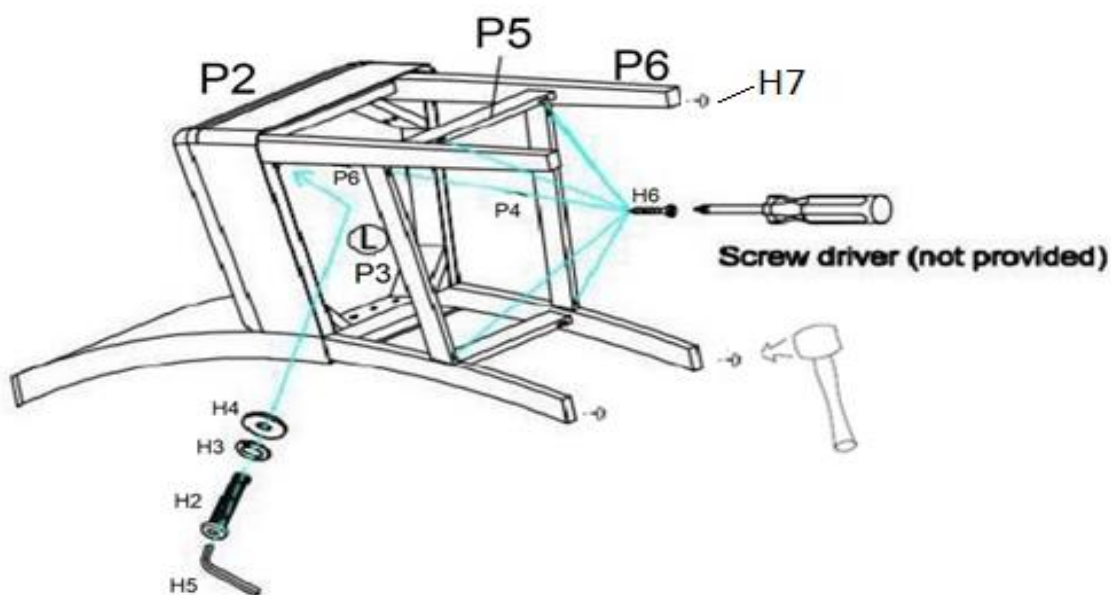
1) Attach the Left Stretcher (P3) to the left leg of Chair Back (P1) according to the label "L" at the pre-drilled hole of the left Leg of Chair Back (P1) and the front end of Left Stretcher (P3) .

2) Loosely attach another Front Leg (P6) to the left-side bottom of Seat Cushion (P2) and Left Stretcher (P3) using Allen Wrench (H5), Short Bolts (H2), Lock Washers (H3) and Flat Washers (H4) .

3) Attach the Front Stretcher (P5) between the Front Legs (P6) .

4) Fully tighten all Bolts (H1 , H2) .

5) Secure and fully tighten with screwdriver for all Screws (H6) at the Stretcher (P3 ,P4,P5).



ADDITIONAL NOTE ABOUT SAFETY : BOLTS MAY LOOSEN DURING NORMAL EVERYDAY USE. THEY SHOULD BE PERIODICALLY INSPRCTED AND RE-TIGHTENED TO PREVENT DAMAGE OR INJURY.ALWAYS CHECK TO ENSURE THAT ALL HARDWARE IS KEPT TIGHTENED .

THANK YOU FOR YOUR PURCHASE