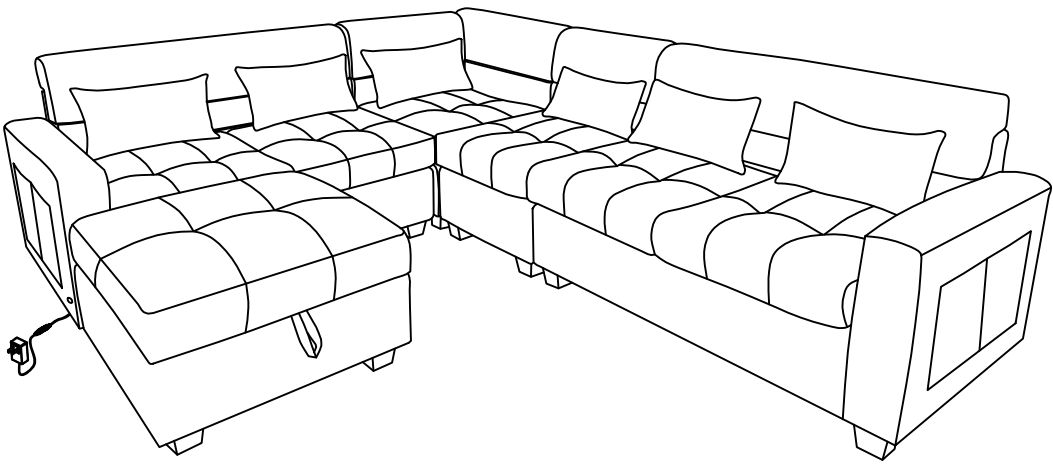


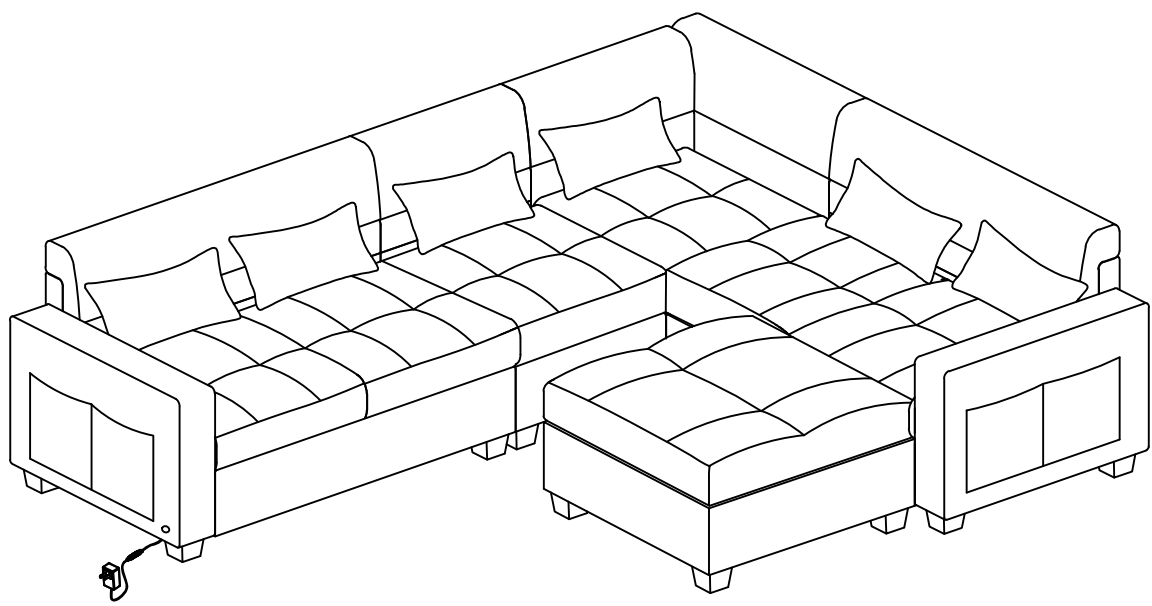


# LILOLA ASSEMBLY INSTRUCTIONS

89306



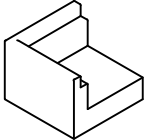
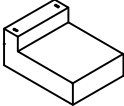
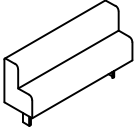
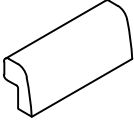
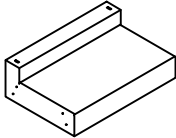
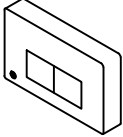
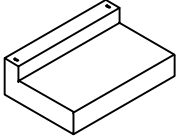
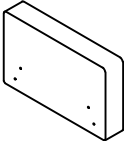
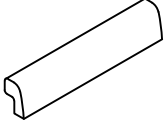
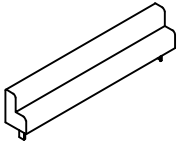
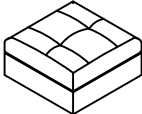
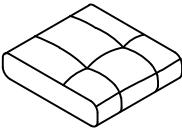

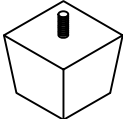
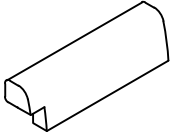
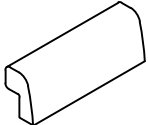

OR



# ASSEMBLY INSTRUCTIONS

89306

## PART LISTS: 89306

<b>A</b>  1 pc	<b>B</b>  1 pc	<b>C</b>  1 pc
<b>D</b>  1 pc	<b>E</b>  1 pc	<b>F</b>  1 pc
<b>G</b>  1 pc	<b>H</b>  1 pc	<b>I</b>  2 pcs
<b>J</b>  2 pcs	<b>K</b>  1 pc	<b>L</b>  6 pcs
<b>M</b>  6 pcs	<b>N</b>  20 pcs	<b>P</b>  1 pc
<b>Q</b>  1 pc	<b>O</b>  1 pc	

# ASSEMBLY INSTRUCTIONS

89306

## HARDWARE LISTS: 89306

1



Full-thread bolt  
Ø 5/16"X90mm  
8pcs

2



Flat Washer  
Ø5/16-RBW  
8pcs

3



Full-thread bolt  
16mmx13mmx13mm  
8pcs

4

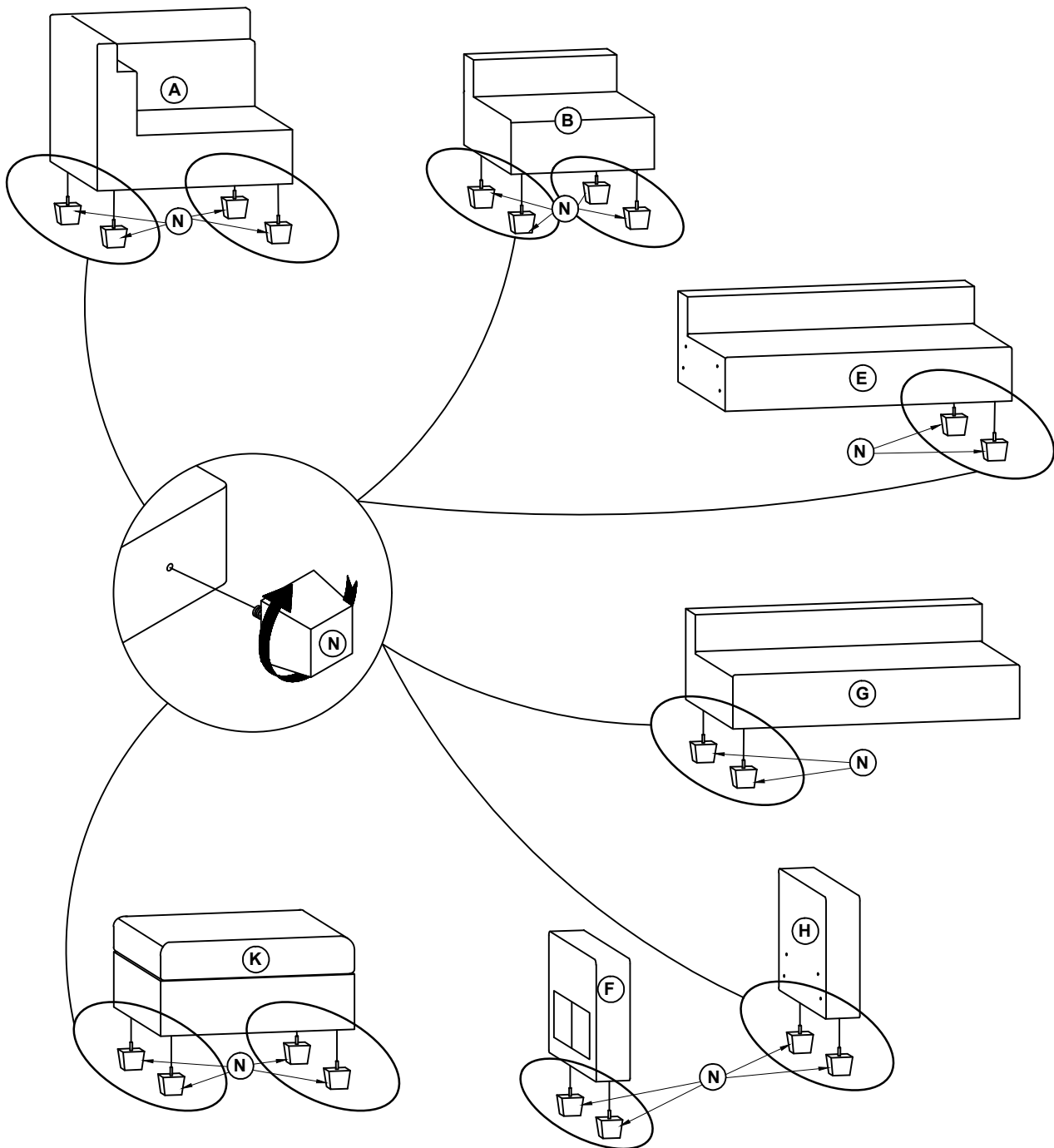


Open wrench  
(12mm)  
1pc

# ASSEMBLY INSTRUCTIONS

89306

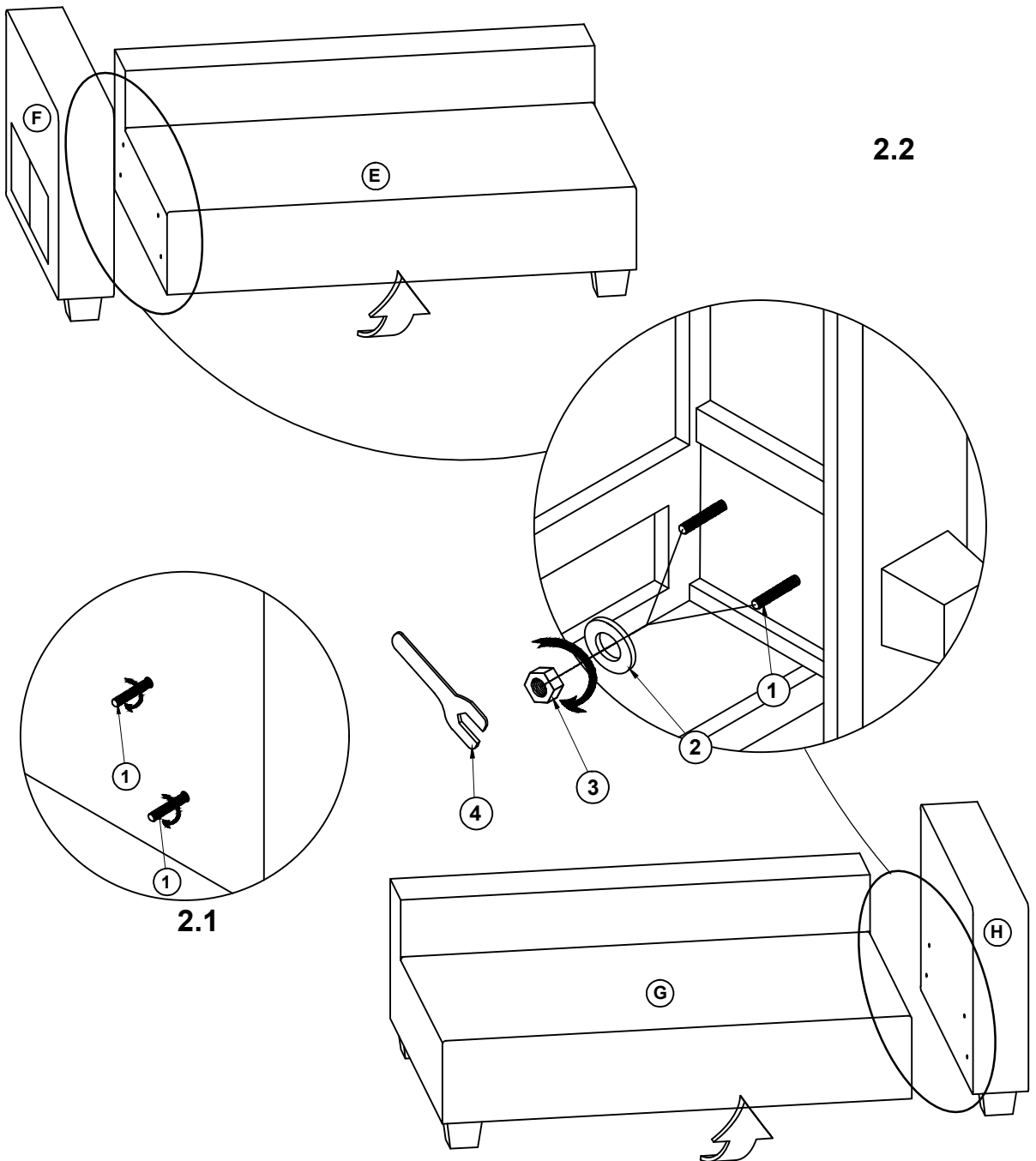
Step 1:



# ASSEMBLY INSTRUCTIONS

89306

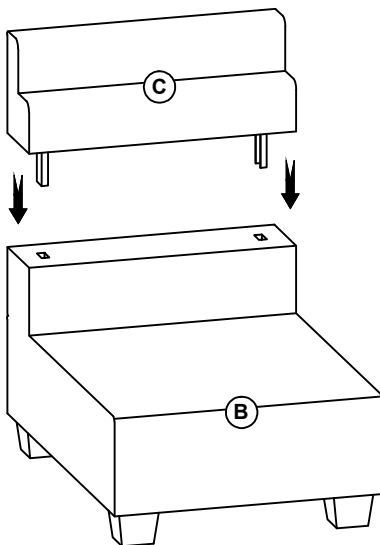
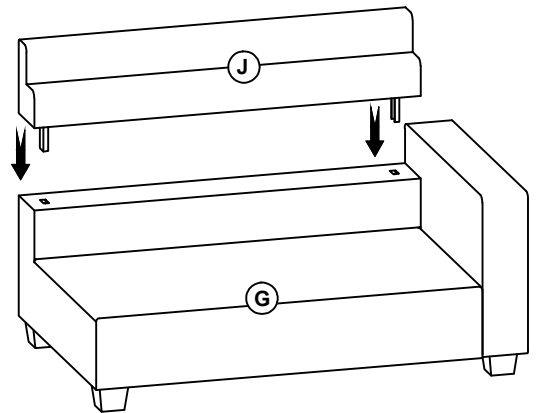
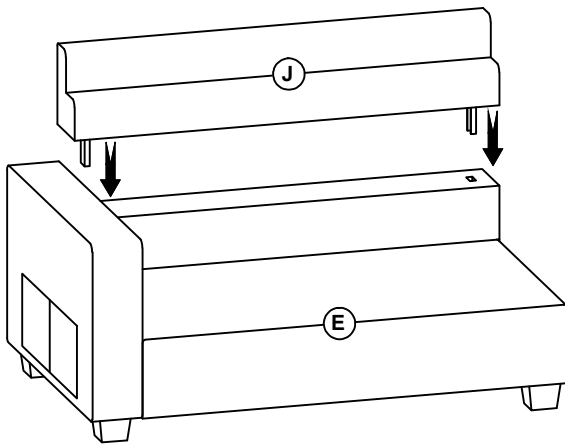
Step 2:



# ASSEMBLY INSTRUCTIONS

89306

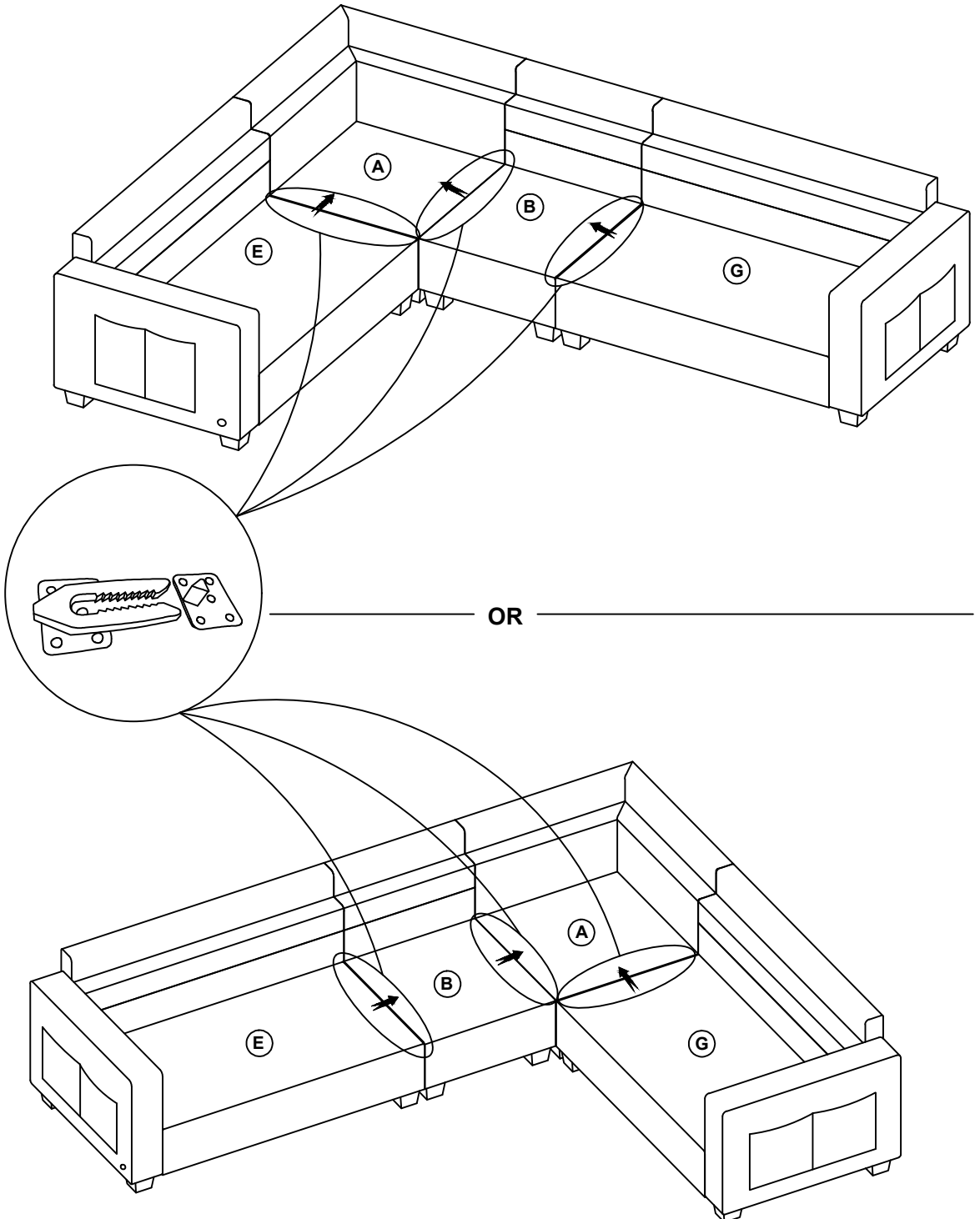
Step 3:



# ASSEMBLY INSTRUCTIONS

89306

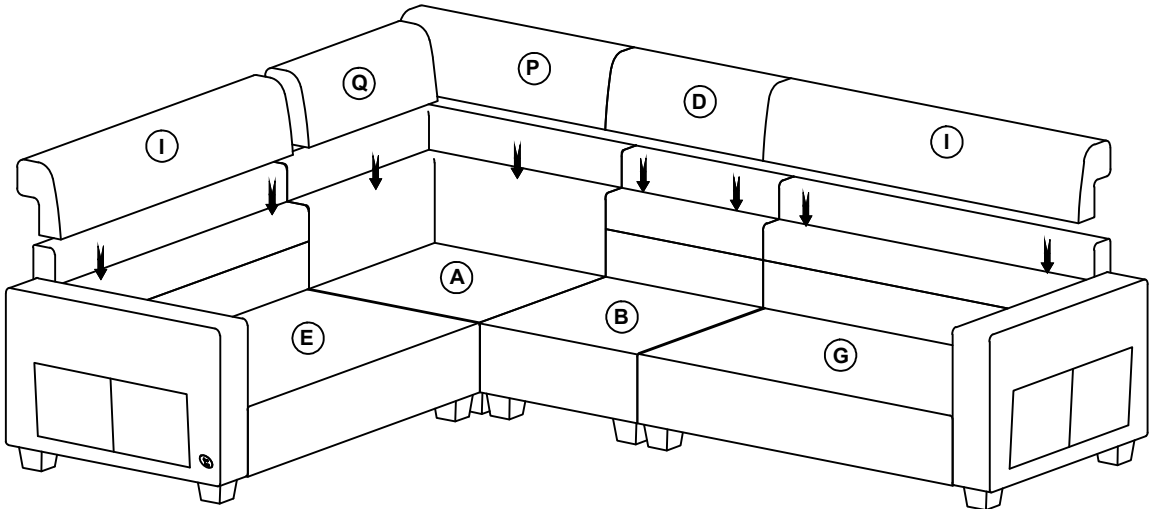
Step 4:



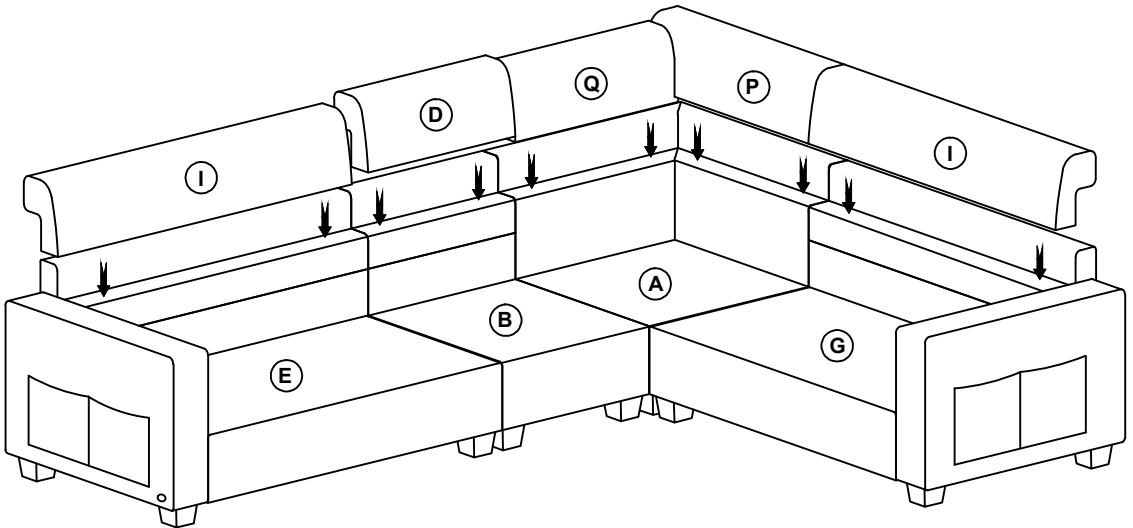
# ASSEMBLY INSTRUCTIONS

89306

Step 5:



OR

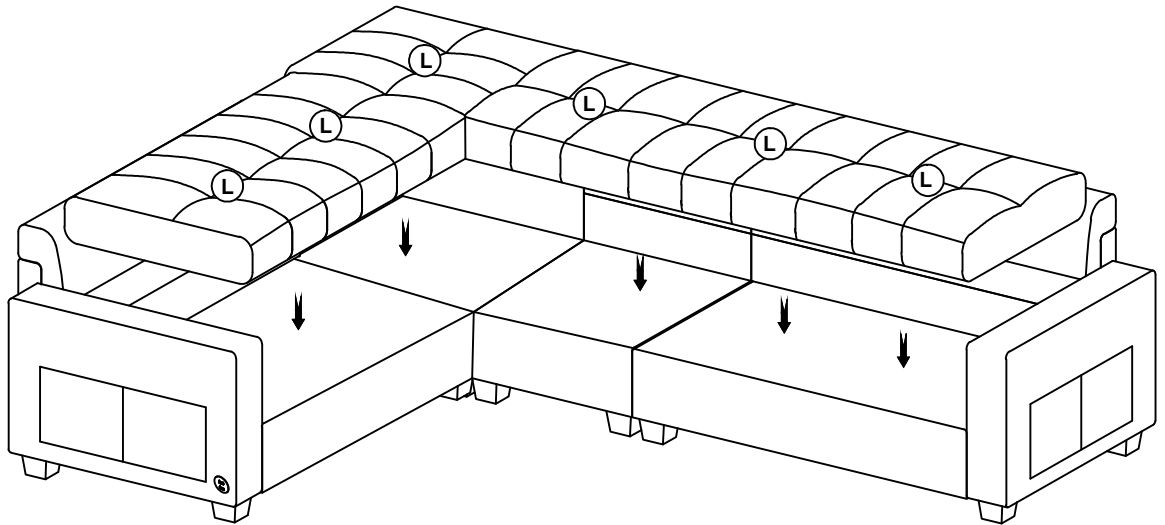




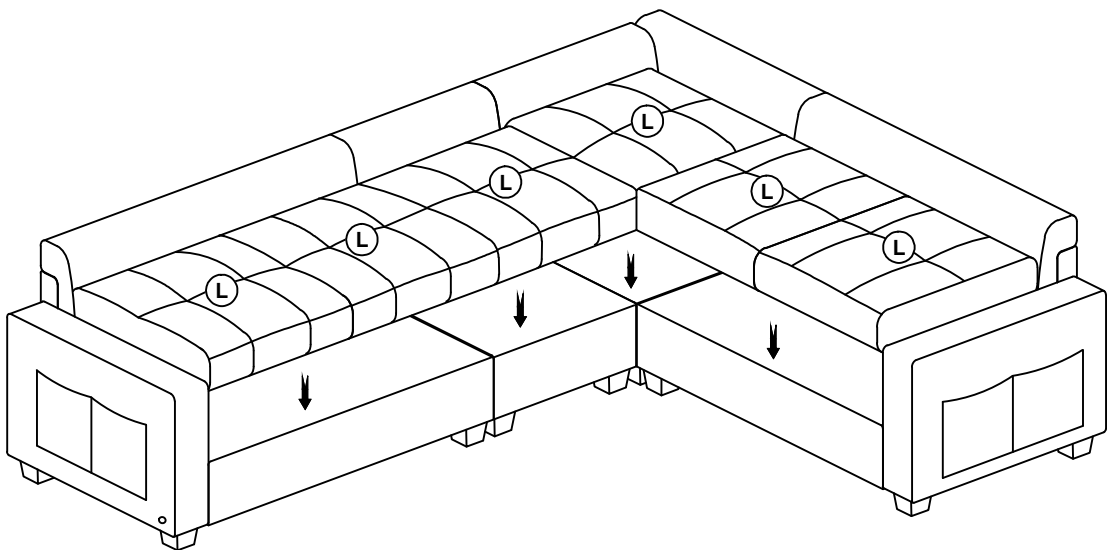
# ASSEMBLY INSTRUCTIONS

89306

Step 6:



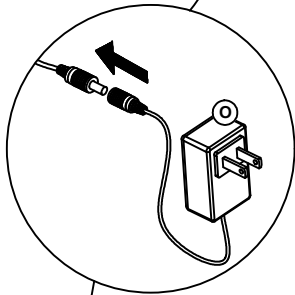
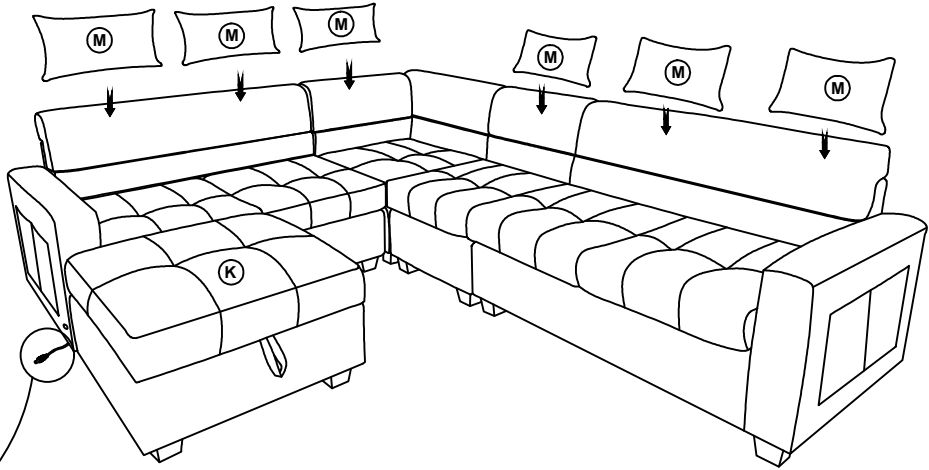
OR



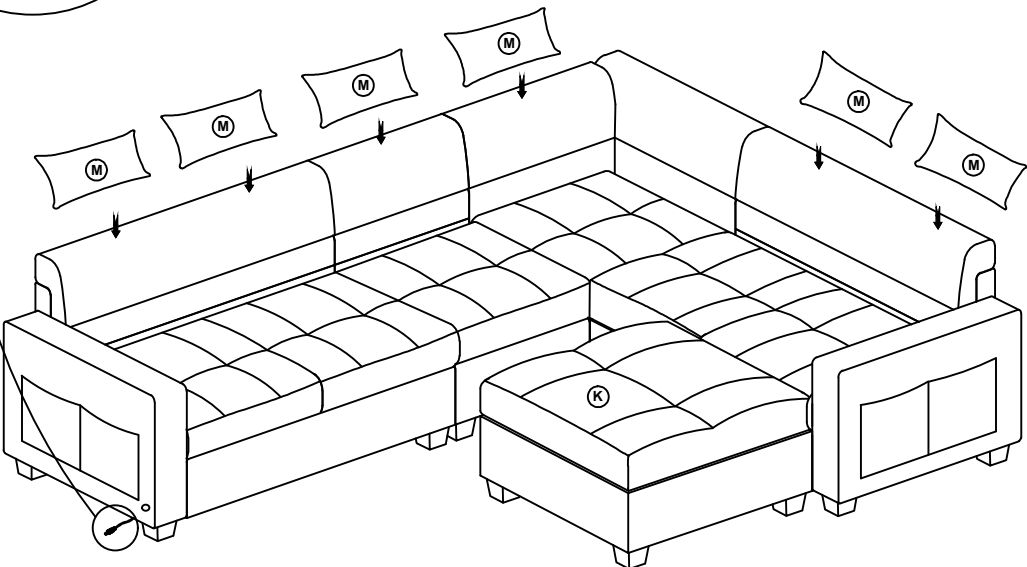
# ASSEMBLY INSTRUCTIONS

89306

Step 7:



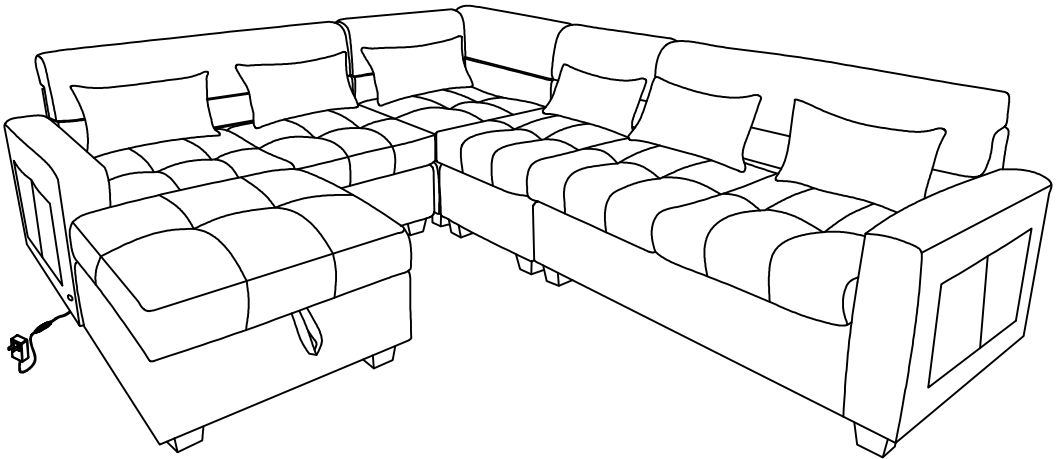
OR



# ASSEMBLY INSTRUCTIONS

89306

Step 8:  
Complete



OR

