

Product Name:	Aged Copper Finish Metal Outdoor Wall Light
SKU #:	WHOL1338

Thank you for purchasing this Luxen Home product. This product has been manufactured with the highest standards of safety and quality.

PLEASE READ ALL INSTRUCTIONS BEFORE ASSEMBLY.

Unpack all parts from Styrofoam and bubble wrap inside the carton to ensure there are no missing or damaged parts. If any parts are missing or damaged, do not attempt to assemble or use the product.

Assembly Instructions:

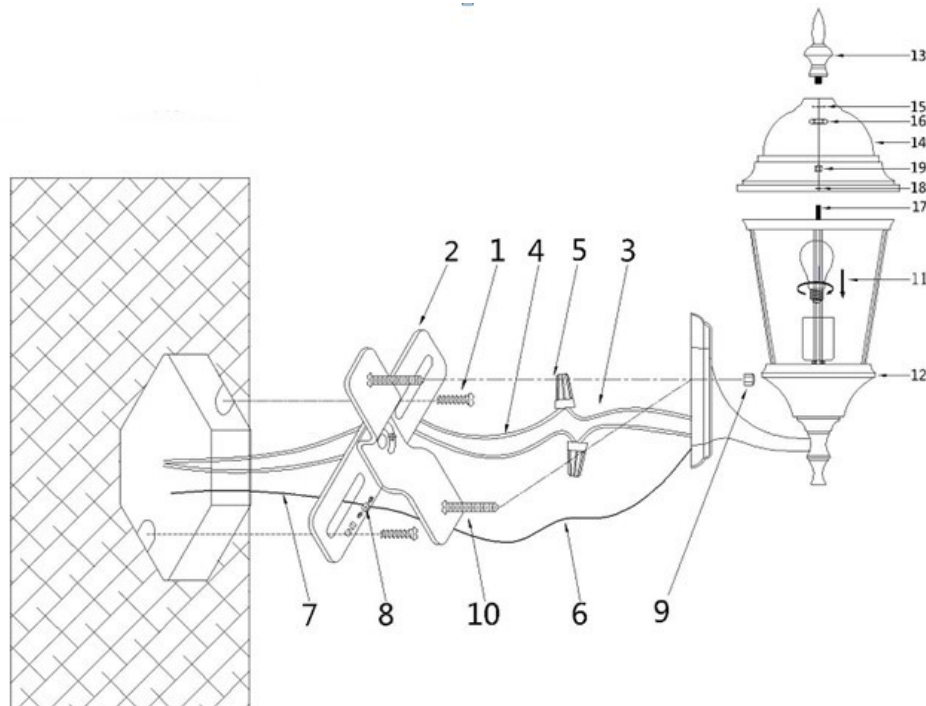
1. Use screws (1) to fix the bracket (2) to hold the whole piece to the junction box on the wall.
2. Connect the main wire (3) and the external wire (4) according to the positive and negative poles (5) of the battery.

Note: The black wire is the live wire, and the white wire is the neutral wire.

3. Fix the ground wire (6) and ground wire (7) to the bracket (2) using the green screws (8).
4. Use the nut (9) to affix the lamp body on the screw (10) to the bracket (2).
5. Install and tighten the bulb (11) into the lamp socket (12) to complete the installation.

Note: Bulb is not included.

6. Tighten the finial (13) and the lamp cap (14) with the gasket (15) and nut (16).
7. Fix the lamp cap (14) on the lamp body (12) with the screw (17).
8. Attach the rubber gasket (18) and the nut (19) to complete the installation.



Note: The above diagram is for illustrative purposes only.