



Instruction Manual

Please save this manual for future reference.

Thank you for purchasing this Winsome House product. This product has been manufactured with the highest standards of safety and quality.

Product Name:	Metal Rectangular Raised Garden Planter
SKU #:	WHPL428 (49.5in.), WHPL429 (39.5in.)



PREPARATION

Before assembling product, make sure all parts are present. Compare parts with package contents list and hardware contents below. If any part is missing or damaged, do not attempt to assemble the product.

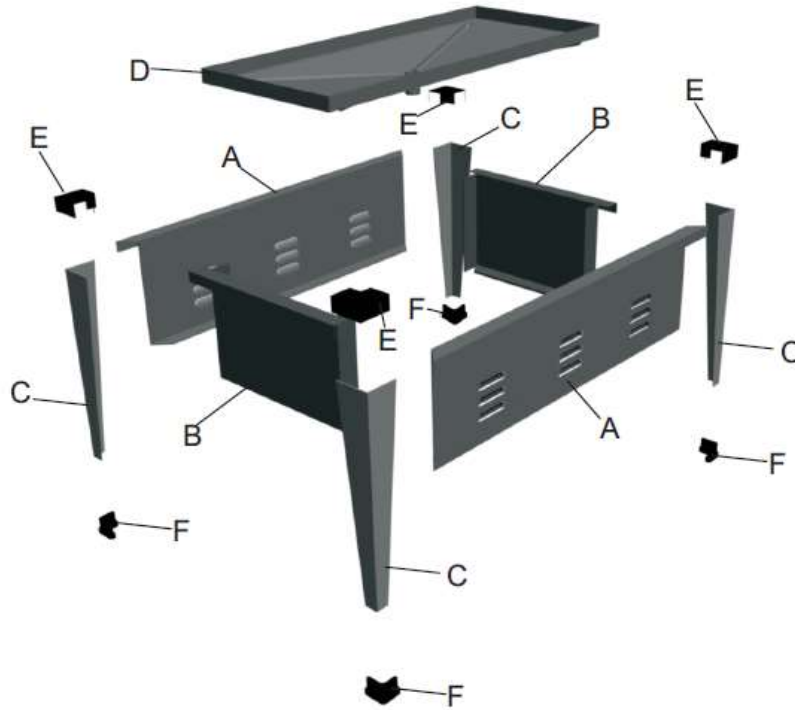
Tools required for assembly (included): Spanner, Allen key

SAFETY INFORMATION

- Tighten all the screws before using.
- This planter is intended for outdoor use only. The floor may be wet when watering the plant.

Product Name:	Metal Rectangular Raised Garden Planter
SKU #:	WHPL428 (49.5in.), WHPL429 (39.5in.)

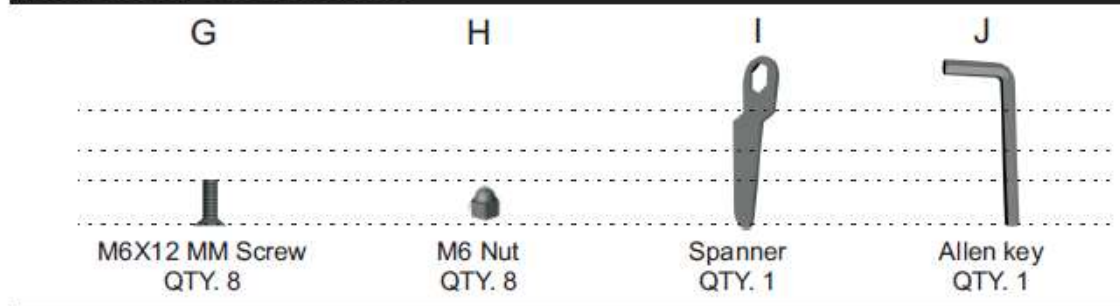
PACKAGE CONTENTS



Part	Description	Quantity
A	Front panel	2
B	Side panel	2
C	Stand leg	4

Part	Description	Quantity
D	Bottom panel	1
E	Plastic corner cover	4
F	Plastic leg cover	4

HARDWARE CONTENTS



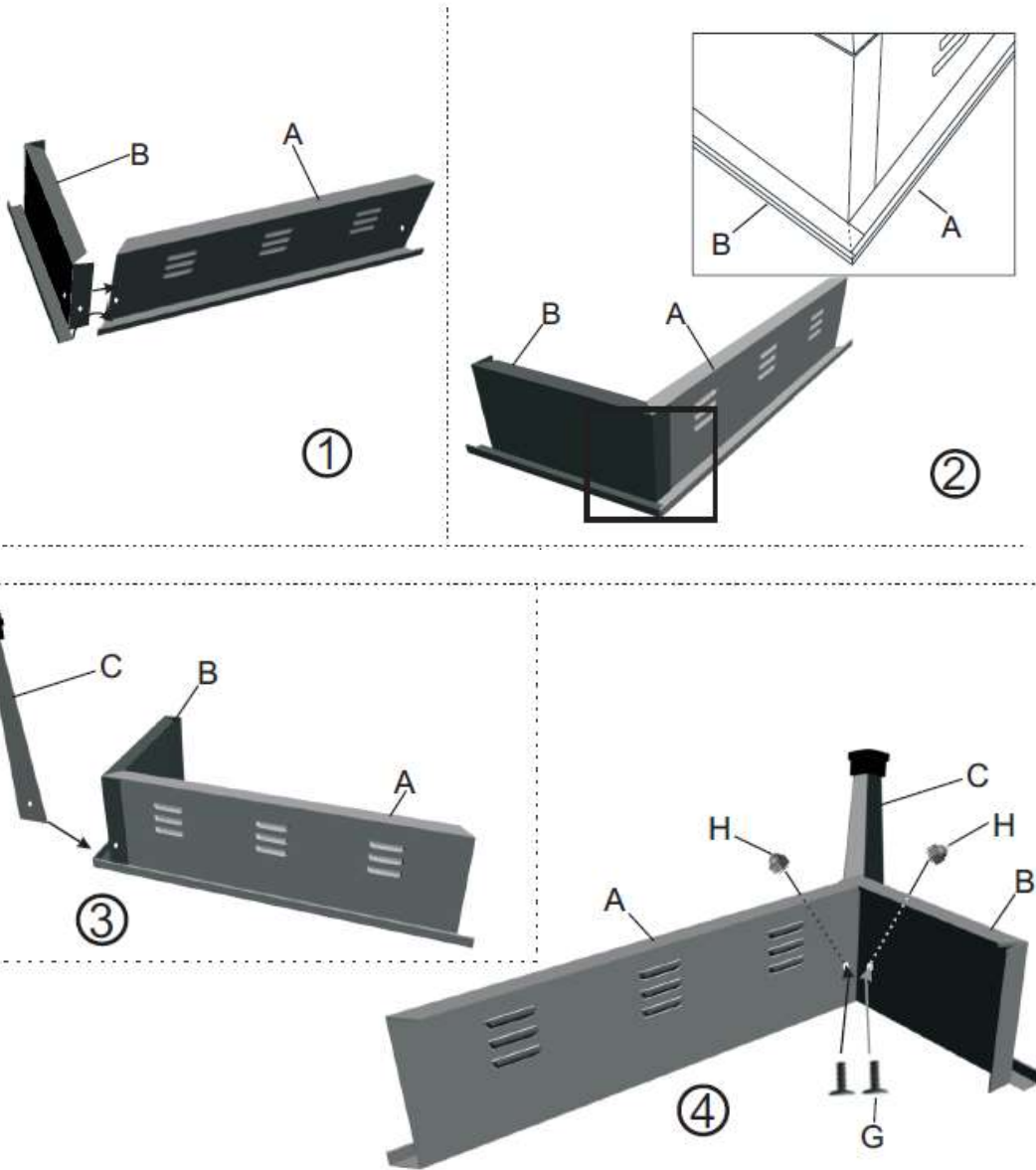
Product Name:	Metal Rectangular Raised Garden Planter
SKU #:	WHPL428 (49.5in.), WHPL429 (39.5in.)

ASSEMBLY INSTRUCTION

- ① Make sure all stand legs (C) are well attached to plastic leg cover (F).

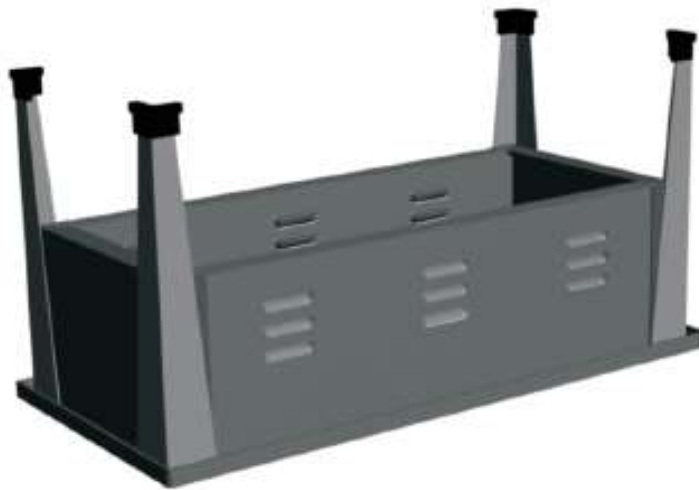


- ② Upside down the panels when assembling. Place front panel (A) and side panel (B) as picture ① shown. Make sure (B) is on top of (A) as picture ② shown. Attach stand leg (C) to (B) and (A) with screw (G) and nut (H).



Product Name:	Metal Rectangular Raised Garden Planter
SKU #:	WHPL428 (49.5in.), WHPL429 (39.5in.)

Do the same way to the other 3 corners and stand legs.



Hardware Used: G  x8
M6X12 MM Screw

H  x8
M6 Nut

③ Turn upright the planter, place bottom panel (D) into the planter.



Product Name:	Metal Rectangular Raised Garden Planter
SKU #:	WHPL428 (49.5in.), WHPL429 (39.5in.)

④ Attach plastic corner covers (E) to 4 planter corners.

