

Thank you for purchasing this Winsome House product. This product has been manufactured with the highest standards of safety and quality.

<b>Product Name:</b>	Solar Motion Sensor Wall Light
<b>SKU #:</b>	WHSL444

### Operating Instructions

**BEFORE USING THIS PRODUCT: READ, UNDERSTAND AND FOLLOW THESE INSTRUCTIONS.**

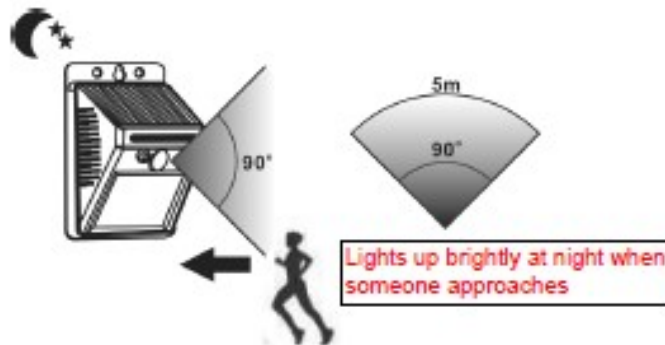
#### **How Your Solar Motion Sensor Light Works:**

During the day, the solar charge panel included with this LED Solar Motion Sensor Wall Light converts sunlight into electricity recharging the batteries. Using this stored energy, the LED light turns on automatically at night when motion is detected.

The light works with a built-in PIR (Passive InfraRed) sensing device which is continuously scanning for heat-source moving in its detection scope. Once a heat source (such as a human or a car) is detected in that area, the light switches on immediately and automatically to illuminate your pathways, steps, patios, porches, or anywhere you select for safety, convenience, and security. The light remains on while the moving heat source stays in the detecting scope.

- Motion-activated light

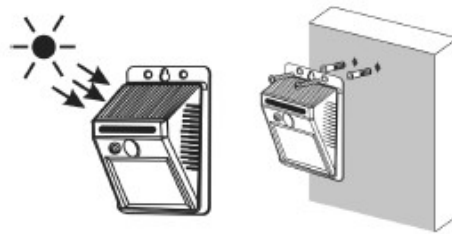
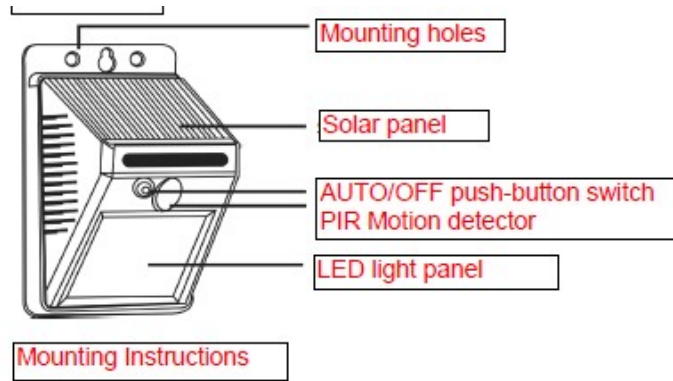
#### **Choosing a Location for Your Solar Motion Light:**



- The solar light must be located in a position where it can get direct sunlight on the solar panel, and generally free from cover and shade. When locating a suitable position for the unit, remember that it detects an area of about 90 degrees vertically and horizontally, with a range of over 5 meters (16.4 ft). See figure above.
- Make sure that the photo sensor on the lamp body is not going to be affected by another light source, otherwise the light will not illuminate at dusk.
- The solar light must be left to charge for two sunny days before first time use so that the best results are achieved.

Product Name:	Solar Motion Sensor Wall Light
SKU #:	WHS444

### Installation Tips



- Choose a location where the solar panel can receive sunlight.
- Install the wall anchors first, then use the metal screws to mount the LED light with the solar panel to the flat surface (wall, step, wood post).

### Replacing the Batteries

For best results, batteries should be replaced every 12 months.

- Detach the housing from the lamp body by pushing it downward.
- Take off the four screws with a screwdriver, and replace the old batteries. Make sure the new batteries are rechargeable batteries.
- Install the new batteries in the battery compartment, ensuring the correct polarity is observed.
- Reassemble the unit by reversing the above procedure.

### Maintenance

To keep your solar motion sensor light looking new, keep the lens free of dust and deposits by wiping occasionally with a dry cloth or damp cloth if necessary.

Most important, ensure that the solar panel is kept free of dirt and debris at all times. A dirty solar panel will not allow the batteries to fully charge, and this will shorten the life of the batteries and may cause the light to not function properly.



## Instruction, Use & Care Manual

Please save this manual for future reference.

Product Name:	Solar Motion Sensor Wall Light
SKU #:	WHSL444

### Technical Specifications

LED Light Setting:	200 Lumen
Rechargeable Battery Type:	8650 Li-ion 1200mAh 3.7V
Solar Panel:	Amorphous silicon
High Light activation (range):	20 seconds
Charge Time (minimum):	6 Hours
Motion Sensor Range:	5 meters (16.4 feet); 90 degrees

### Troubleshooting:

Light will not switch on when there is movement in the detection area	<ul style="list-style-type: none"> <li>• Ensure that the power switch on the main body has been turned to the AUTO or ON position.</li> <li>• Ensure that the motion sensor has been positioned to face oncoming movement.</li> <li>• Ensure that the battery has been fully charged in direct sunlight for one sunny day.</li> <li>• Check to see that the solar cell charge panel is facing south so that it receives direct sunlight for most of the day, enabling the battery to fully charge.</li> <li>• Check to see that the solar panel is not near the night time light sources, such as street lights.</li> </ul>
Light switches on during the day	<ul style="list-style-type: none"> <li>• Ensure the flood light is not placed in shady area.</li> <li>• Ensure the solar panel is facing towards direct sunlight.</li> </ul>
Light switches on for no apparent reason	<ul style="list-style-type: none"> <li>• Moving trees, traffic, pet, or birds may be getting in the area of detection. This may be unavoidable; however, the sensor could be redirected to a height where this less likely to occur.</li> <li>• If there are reflective objects in the detection area, such as windows, water, or white walls, you may need to redirect or possibly reposition the motion sensor.</li> <li>• Test the motion sensor by covering it completely with cardboard, and waiting several minutes to make sure it does not detect motion.</li> </ul>
Light quickly flashes on and off	<ul style="list-style-type: none"> <li>• Battery charge may be low. Turn the power switch to the OFF position and charge the battery for two (2) sunny days, ensuring the solar cell charge panel has been placed in direct sunlight.</li> </ul>
Light is not as bright as normal	<p>Battery charge may be low. Turn the power switch to the OFF position and charge the battery for two (2) sunny days, ensuring the solar cell charge panel has been placed in direct sunlight.</p>

