

Thank you for purchasing this Winsome House product. This product has been manufactured with the highest standards of safety and quality.

Product Name:	Two Drawer Kitchen Cart
SKU #:	WH194

Table Assembly:

① 2pcs	② 1pc	③ 4pcs	④ 2pcs	⑤ 2pcs	⑥ 2pcs
⑦ 2pcs	A 8pcs ø6x30mm	B 8pcs ø15mm	C 8pcs ø6x20mm	D 16pcs ø3x15mm	E 8pcs ø3x12mm

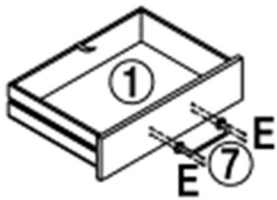
Important:

Tighten each cap nuts firmly. DO NOT over tighten any of the cap nuts as this may strip the screws. DO NOT sit or stand on the table as this may damage the product and cause serious bodily injury.

Tool required for assembly: Phillips Head Screwdriver or Handheld Drill.

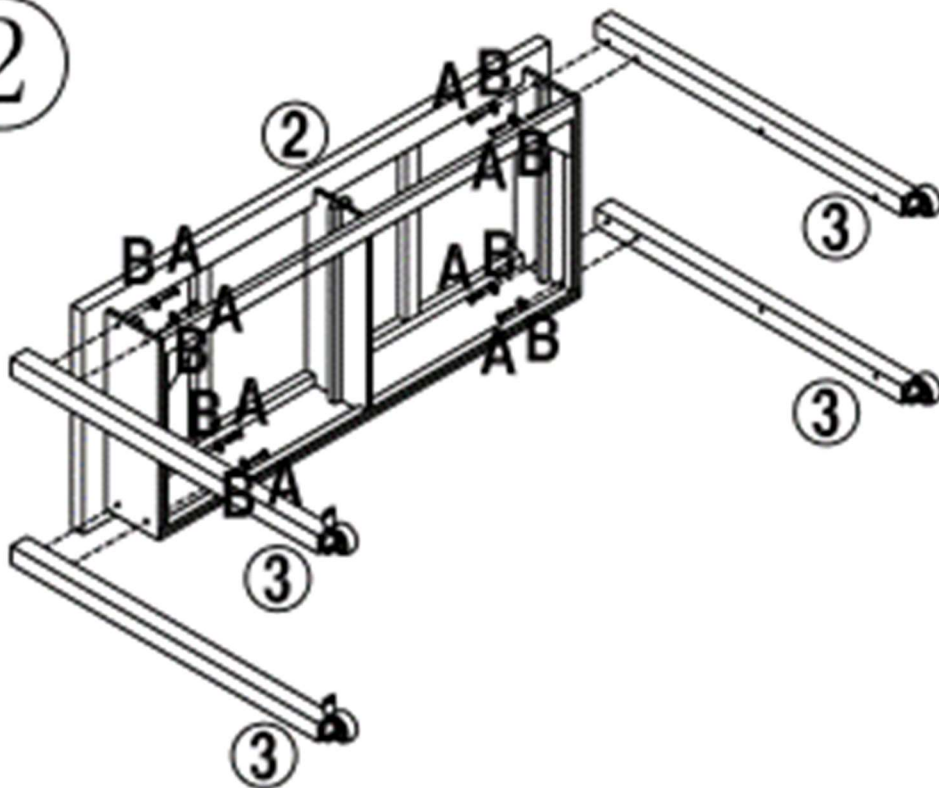
Product Name:	Two Drawer Kitchen Cart
SKU #:	WH194

①



Add handles to the drawers, and set the drawers aside.

②



WINSOME HOUSE

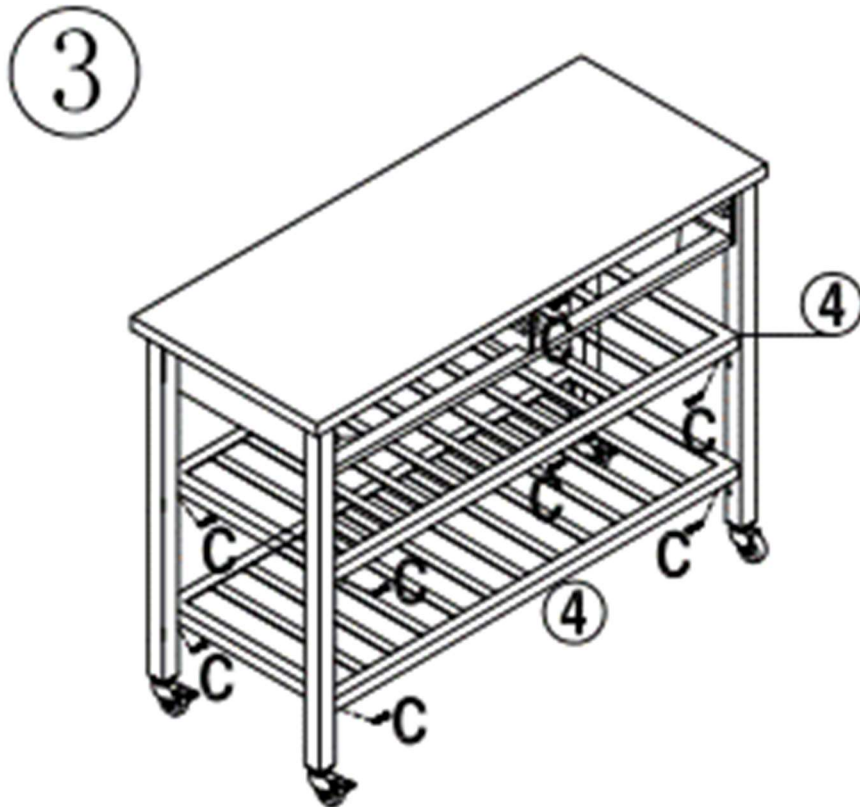
Instruction Manual

Please save this manual for future reference.

Turn top table on its side with the drawer openings facing up. Line up the legs with the predrilled holes.

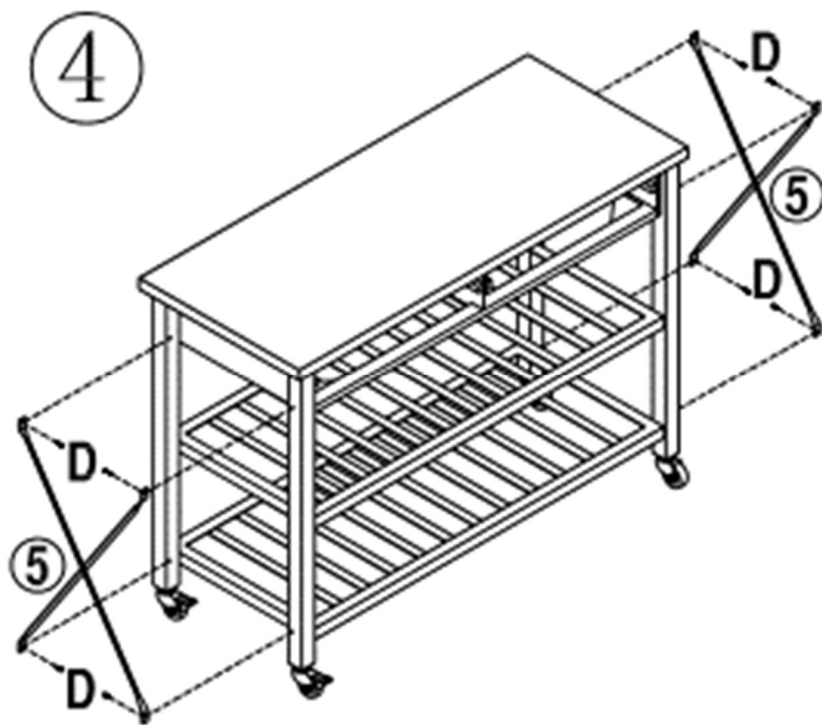
Note: Two of the legs have locking casters. It is recommended that these be placed on the sides.

Product Name:	Two Drawer Kitchen Cart
SKU #:	WH194



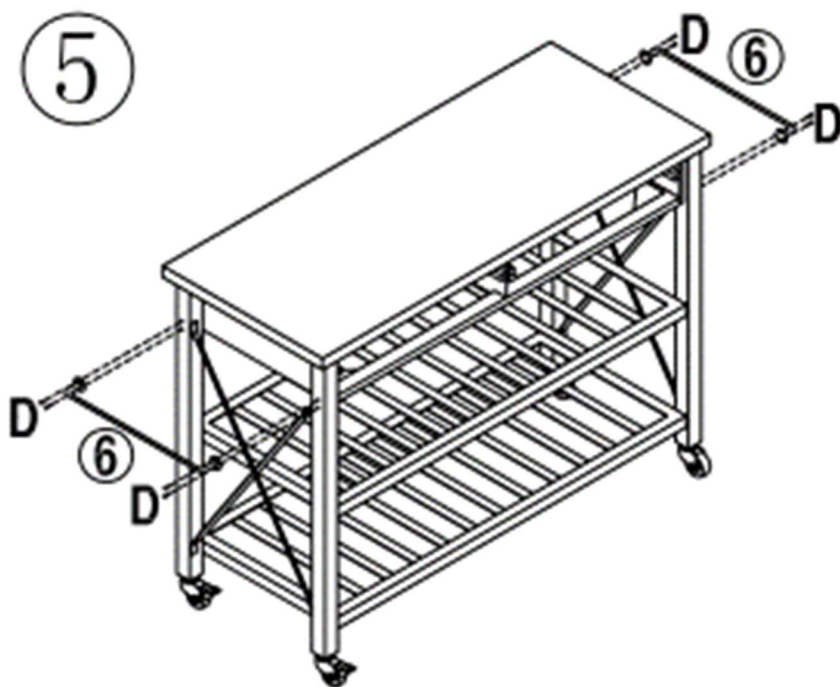
Turn the table upright, and insert shelves (lining up the predrilled holes). Please make sure that shelves are installed top side up (shelves should be level).

Product Name:	Two Drawer Kitchen Cart
SKU #:	WH194



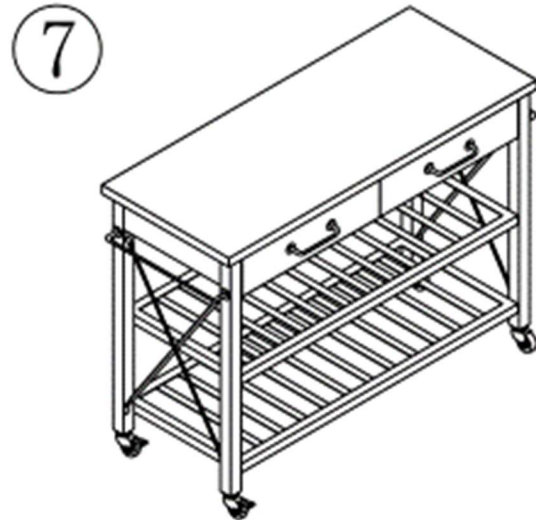
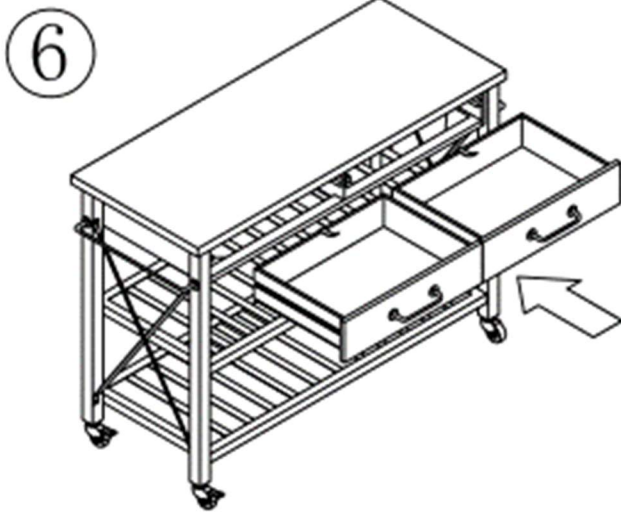
Line up the "X" on each side with the predrilled holes.

Product Name:	Two Drawer Kitchen Cart
SKU #:	WH194



Install handles on each side by lining up with the predrilled holes.

Product Name:	Two Drawer Kitchen Cart
SKU #:	WH194



Insert the two drawers. Lift upward slightly to avoid damaging the tab in the back of the drawers.

Care and Maintenance:

Add 1 to 2 tablespoons of white vinegar (or you can use a small amount of non-abrasive dish soap) to a bowl of warm water and mix well.

Take a clean, soft cloth and moisten it in the water mixture.

Wipe the table with the moistened soft cloth. The vinegar and/or soap will help to disinfect as it removes the daily living of preparing meals.

Rinse the cloth with clean water and wipe the table again with the clean cloth.

It is recommended to dry the surface with a dry, soft cloth. It is important to dry the table to prevent any moisture from soaking into the wood, which may cause it to warp or crack.

Enjoy your new kitchen cart!