

<b>Product Name:</b>	Vintage Two Drawer Console Table
<b>SKU #:</b>	WH187







Thank you for purchasing this Luxen Home product. This product has been manufactured with the highest standards of safety and quality.



**PLEASE READ ALL INSTRUCTIONS BEFORE ASSEMBLY.**

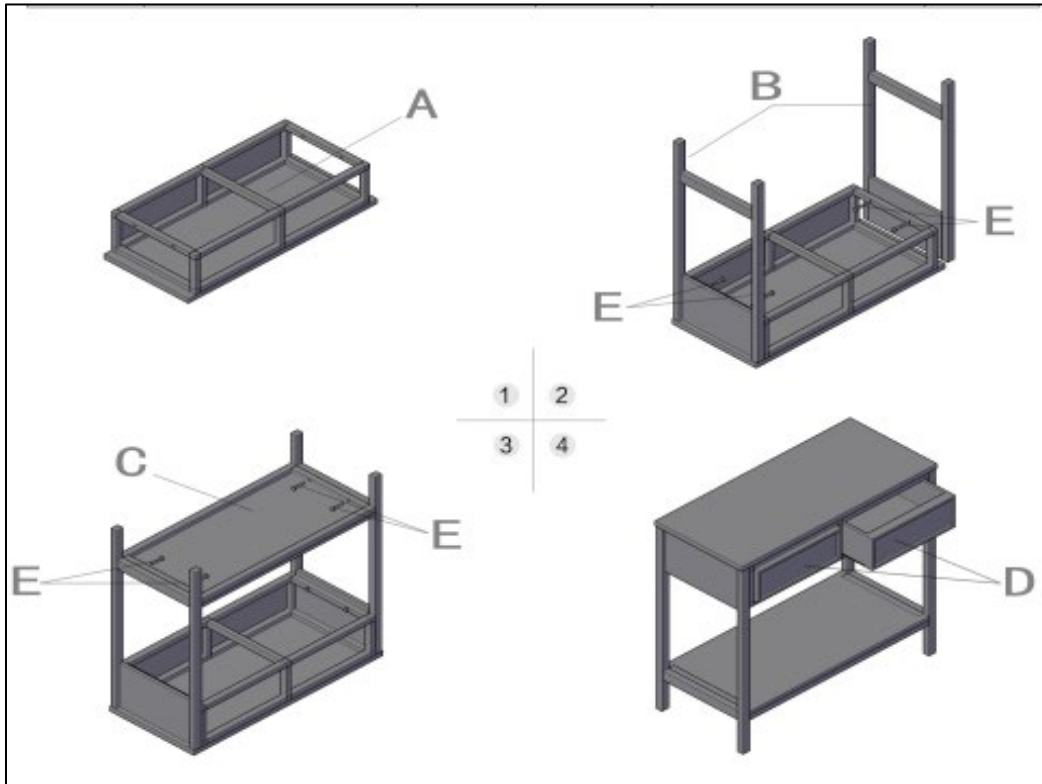
Unpack all parts from Styrofoam and bubble wrap inside the carton to ensure there are no missing or damaged parts. If any parts are missing or damaged, do not attempt to assemble or use the product.

**CARTON CONTENTS:**


CONTENTS					
ID	DESCRIPTION	QTY	ID	DESCRIPTION	QTY
A		1	B		2
C		1	D		2
E		8	F		1

<b>Product Name:</b>	Vintage Two Drawer Console Table
<b>SKU #:</b>	WH187

### Table Assembly:



Tighten each screw firmly. DO NOT over tighten any of the screws as this may cause stripping. When using power tools, be careful not to damage the wood.

 **Warning:** DO NOT sit or stand on the table as this may damage the product and cause serious bodily injury.