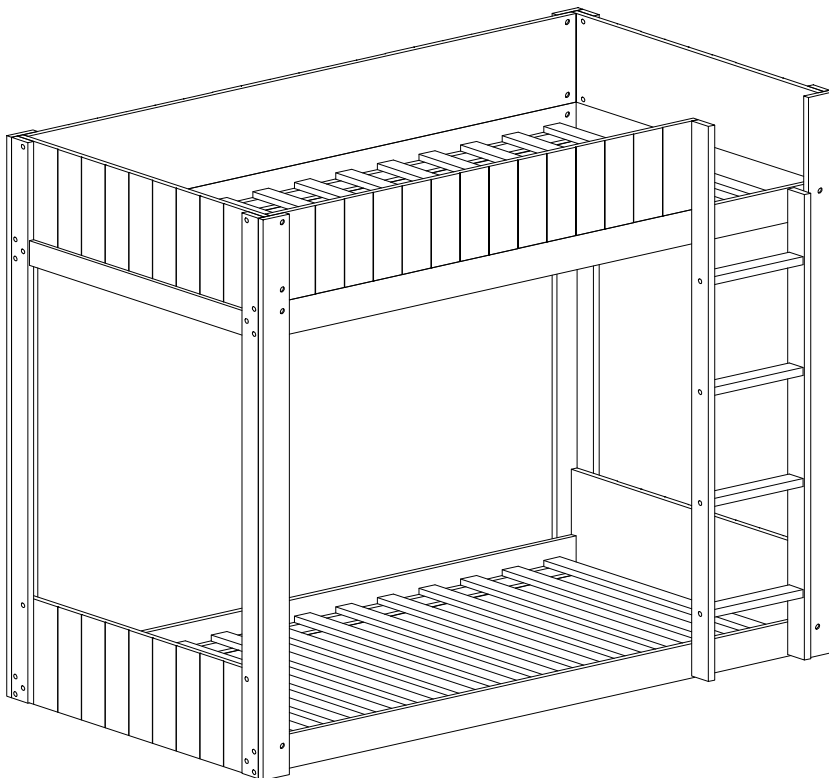


ASSEMBLY INSTRUCTIONS



TOOLS REQUIRED



Allen Wrench

(Included)



Phillips Screwdriver

(Not Included)



2 - People
Recommended

ASSEMBLY RATING



EASY —————> DIFFICULT

The Assembly Rating is a 5-point system showing the level of effort needed to assemble a specific product.



CHECK BEFORE STARTING

Are you missing anything?

Double-check all parts, hardware and accessories listed on Page 6 are accounted for.

Check out our Quick Tips!

We recommend reviewing the pre-assembly handouts. Even experts need a refresher now and then!

Should we send any replacements?

Are there any irregularities or flaws in the parts? We can send replacements!

Prep Time!

Please review the assembly instructions and all diagrams prior to assembling. Set up your workspace by laying the parts and hardware out separately, then begin!

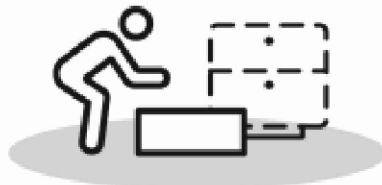
PRE ASSEMBLY INTRODUCTION

We understand building ready-to-assemble furniture can be a challenging experience for some. To help avoid confusion, we have provided some helpful tips that may speed up the process.



Teamwork

ALWAYS have at least two people to help with transporting and assembling the product to avoid potential injury and/or damage.



Suitable Location

Assembling near the area of the intended location is highly recommended.



Sufficient Space

Make sure you have enough space to move around during the assembly.



Avoid Scratches

Use cardboard, blankets or a carpeted area while assembling furniture to prevent scratches.



Flat Surface

Make sure the furniture rests on a flat and level surface with each leg evenly touching the floor.

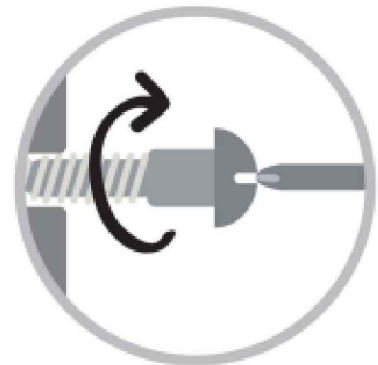
ASSEMBLY AND CARE ADVICE



FAILURE TO FOLLOW THE GUIDELINES BELOW MAY RESULT IN INJURY AND/OR PROPERTY DAMAGE.



Position each part correctly and insert screws or bolts into their respective holes.



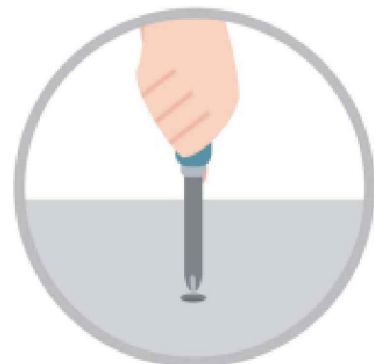
Turn clockwise to tighten and only tighten when step is completed or when instructed to do so.



Use the appropriate hand tools or power tools for assembly. Select steps, such as tightening screws and/or bolts, may require hand tools to avoid causing damage during assembly.



Save the instructions and store any supplied tools for later maintenance.



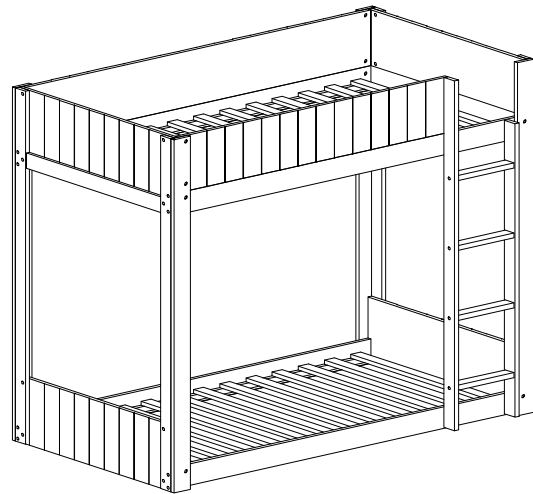
After two weeks, check and tighten any loose hardware and repeat again every six months thereafter.

IT IS THE USER'S RESPONSIBILITY TO MAINTAIN THE FURNITURE. THE HARDWARE MAY LOOSEN OVER TIME AND MAY CAUSE THE FURNITURE TO BE WOBBLY AND UNABLE TO SUPPORT ITS INTENDED WEIGHT CAPACITY. THIS MAY LEAD TO COLLAPSE AND MAY CAUSE SERIOUS INJURY.

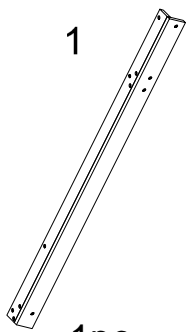
BUNK BED



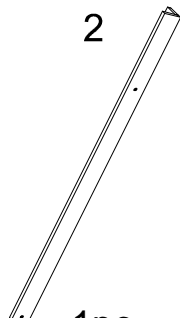
- Please keep instructions for future reference.
- Check the quantity and irregularity of parts and hardware before you start.



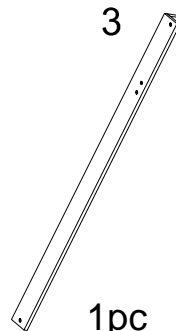
PARTS



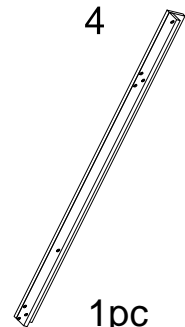
1pc
Leg Front (L)



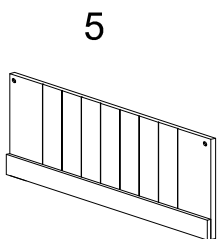
1pc
Leg Front (R)



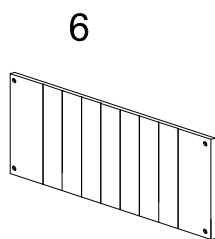
1pc
Leg Back (R)



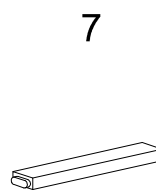
1pc
Leg Back (L)



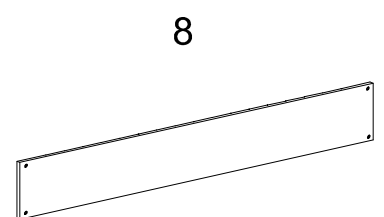
2pcs
Panel Top



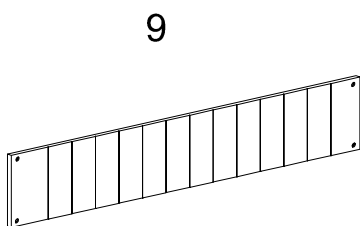
2pcs
Panel Bottom



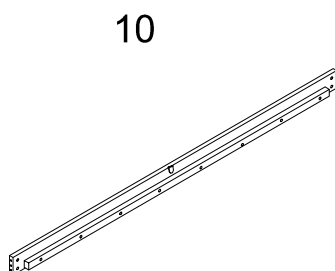
4pcs
Step Ladder



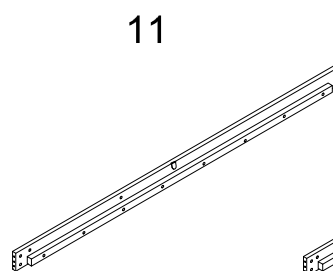
1pc
Panel Top Back



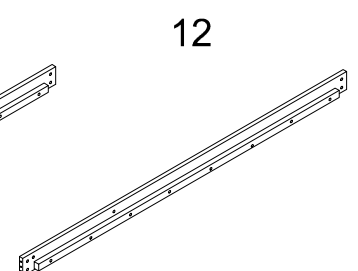
1pc
Panel Top Front



1pc
Side Rail Top Back



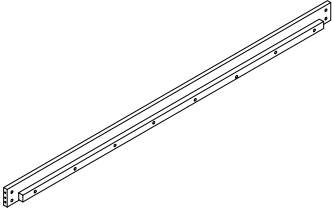
1pc
Side Rail Top Front



1pc
Side Rail Bottom Front

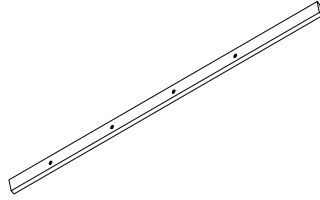
PARTS

13



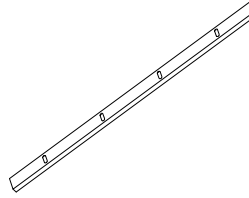
1pc
Side Rail Bottom Back

14



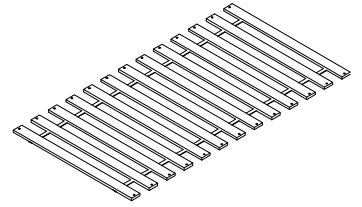
1pc
Ladder (L)

15



1pc
Ladder (R)

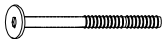
16



2set
Upper + Lower Slat (13pcs)

HARDWARE

A



Bolt $\text{\O}5/16\text{"} \times 3-9/16\text{"}$ (D15)
16pcs

B



Bolt $\text{\O}5/16\text{"} \times 15$
16pcs

C



Bolt $\text{\O}1/4\text{"} \times 1-1/8\text{"}$ (D15)
30pcs

D



Bolt $\text{\O}1/4\text{"} \times 15$
30pcs

E



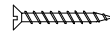
Bolt $\text{\O}1/4\text{"} \times 1-5/8\text{"}$ (D13)
6pcs

F



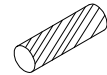
Wood Screw $1/4\text{"} \times 2\text{"}$
8pcs

G



Screw $4\text{"} \times 30\text{mm}$
52pcs

H



$\text{\O}10 \times 50\text{mm}$
8pcs

I



Screw $3\text{"} \times 15\text{mm}$
4pcs

J




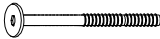



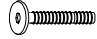

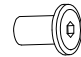
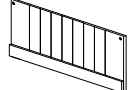
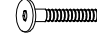
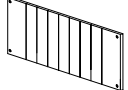


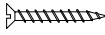

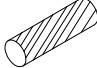
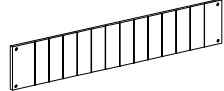
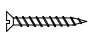



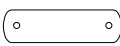


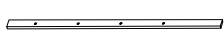

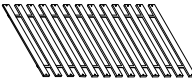
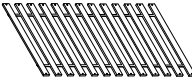
Allen Key
2pcs

K

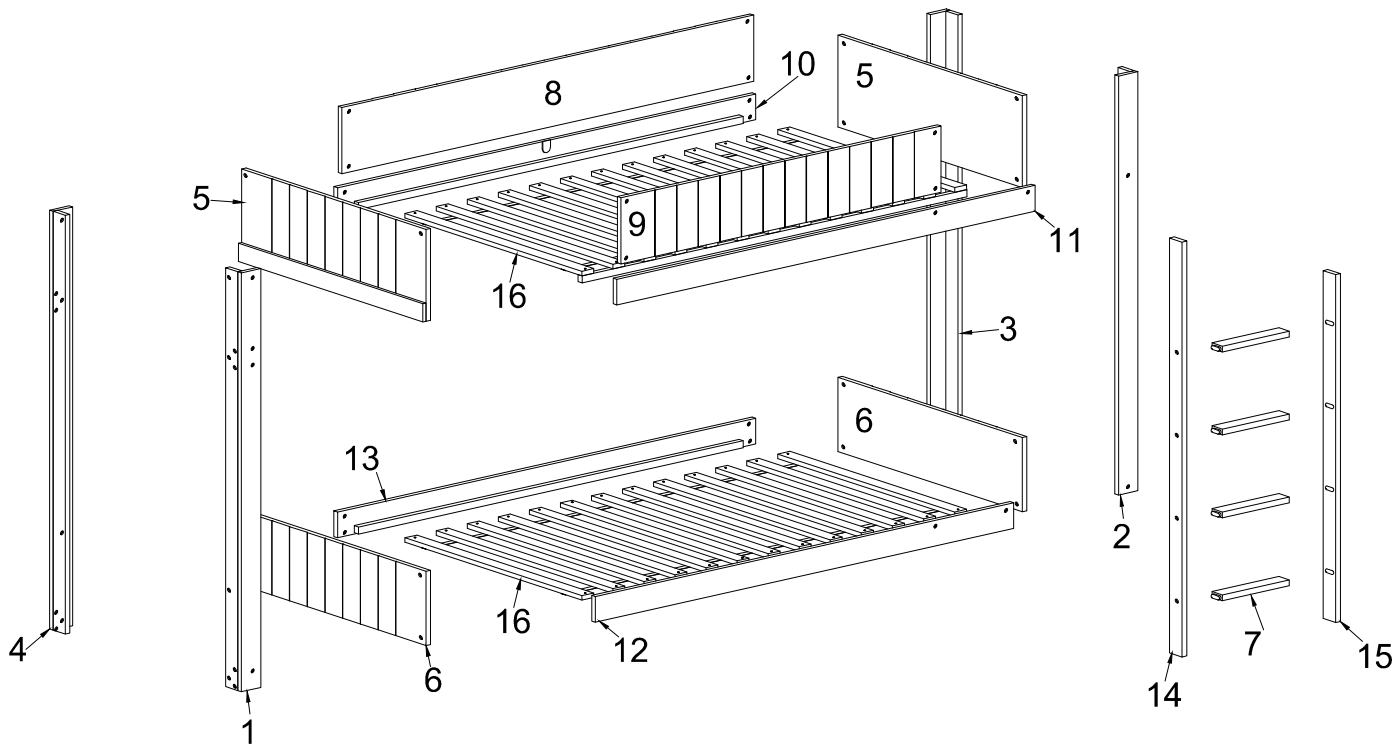


Pass
2pcs

packed in 2 cases

Carton	Disignation	Part	Hardware
	Leg Front (L)	1 	FM-BK204-1  A x 16pcs
	Leg Front (R)	2 	 B x 16pcs
	Leg Back (R)	3 	 C x 30pcs
	Leg Back (L)	4 	 D x 30pcs
	Panel Top	5 	 E x 6pcs
	Panel Bottom	6 	 F x 8pcs
	Step Ladder	7 	 G x 52pcs
	Panel Top Back	8 	 H x 8pcs
	Panel Top Front	9 	 I x 4pcs
	Side Rail Top Back	10 	 J x 2pcs
	Side Rail Top Front	11 	 K x 2pcs
	Side Rail Bottom Front	12 	
	Side Rail Bottom Back	13 	
	Ladder (L)	14 	
	Ladder (R)	15 	
	Lower Slat (13pcs)	16 	
	Upper Slat (13pcs)	16 	

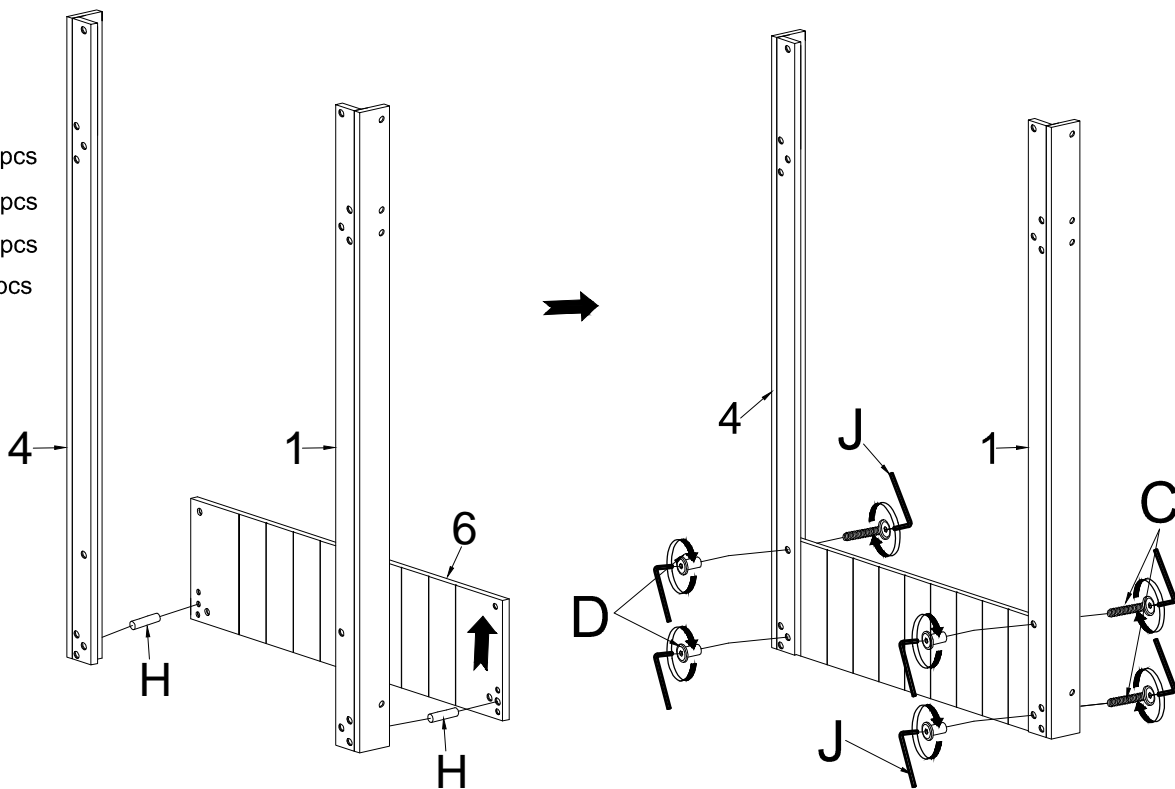
PARTS



ASSEMBLY INSTRUCTIONS

1

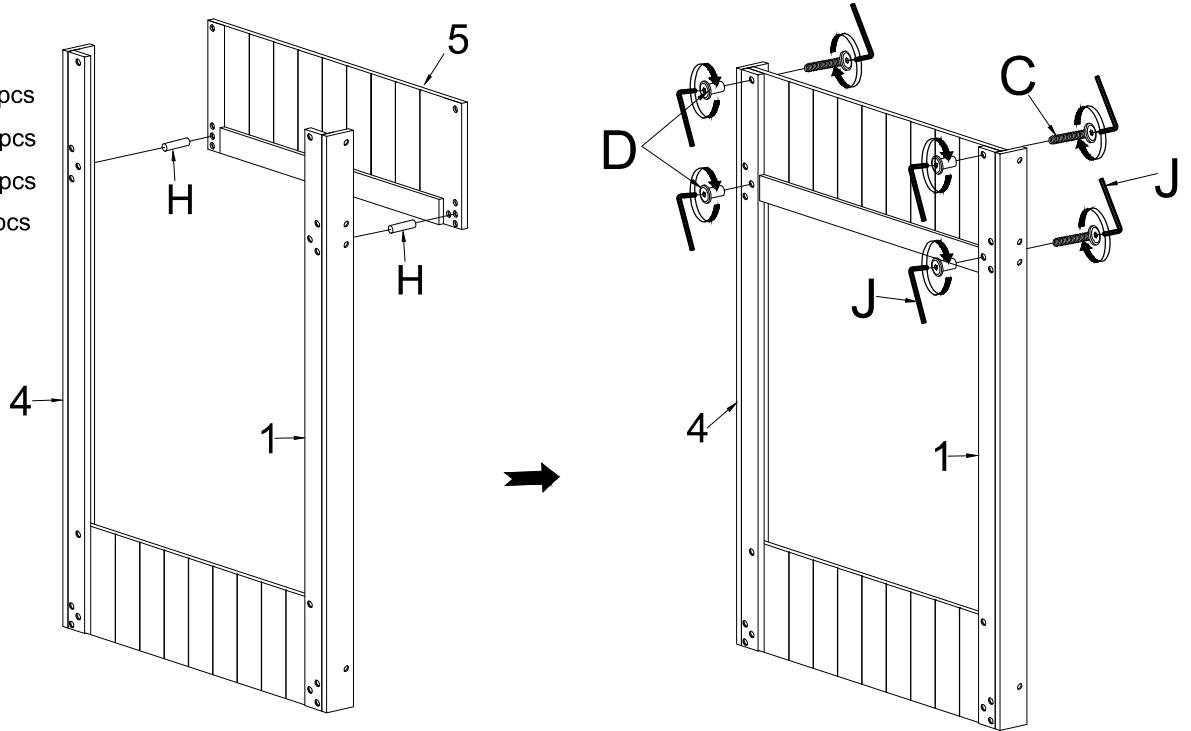
- Part #1 x1pc
- Part #4 x1pc
- Part #6 x1pc
- Hardware #H x2pcs
- Hardware #C x4pcs
- Hardware #D x4pcs
- Hardware #J x2pcs



ASSEMBLY INSTRUCTIONS

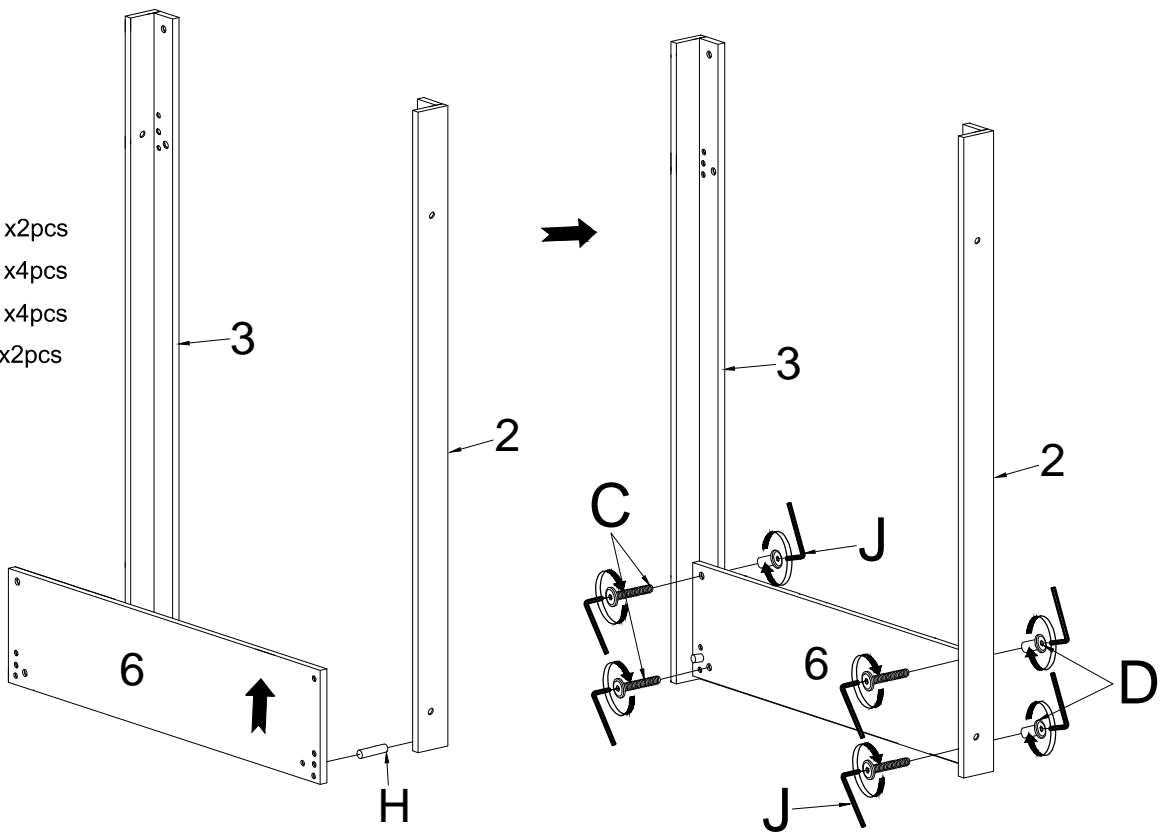
2

- Part #5 x1pc
- Hardware #H x2pcs
- Hardware #C x4pcs
- Hardware #D x4pcs
- Hardware #J x2pcs



3

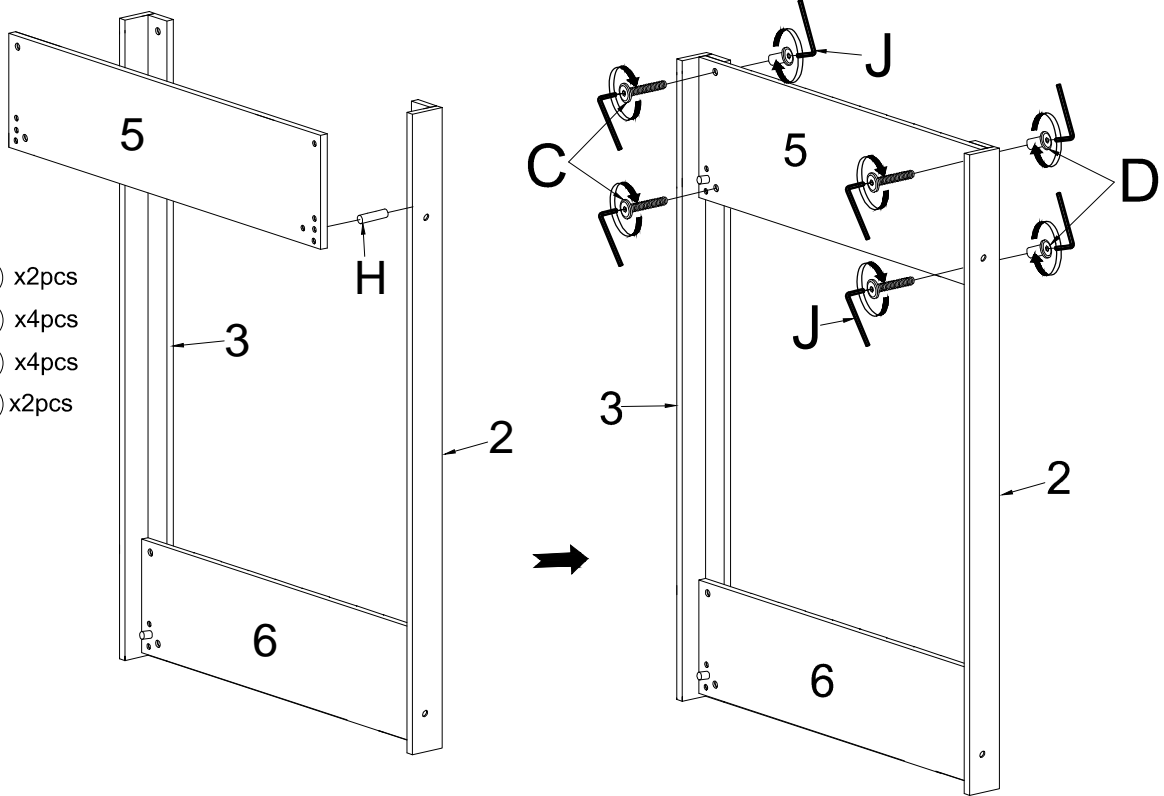
- Part #2 x1pc
- Part #3 x1pc
- Part #6 x1pc
- Hardware #H x2pcs
- Hardware #C x4pcs
- Hardware #D x4pcs
- Hardware #J x2pcs



ASSEMBLY INSTRUCTIONS

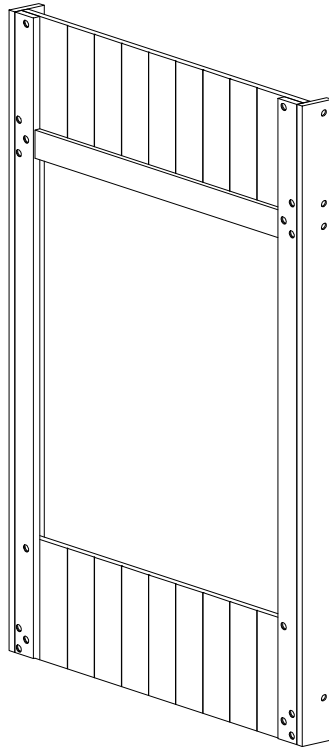
4

- Part #5 x1pc
- Hardware #H x2pcs
- Hardware #C x4pcs
- Hardware #D x4pcs
- Hardware #J x2pcs

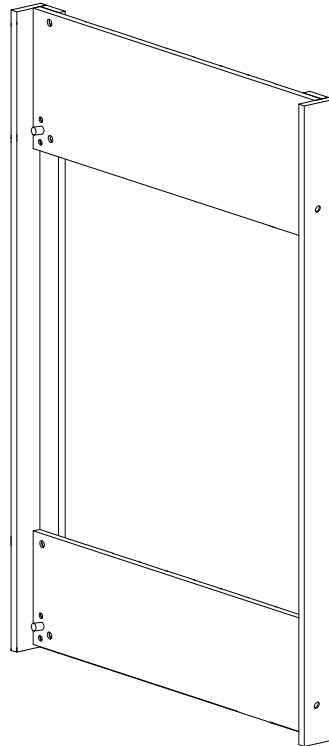


5

LEFT



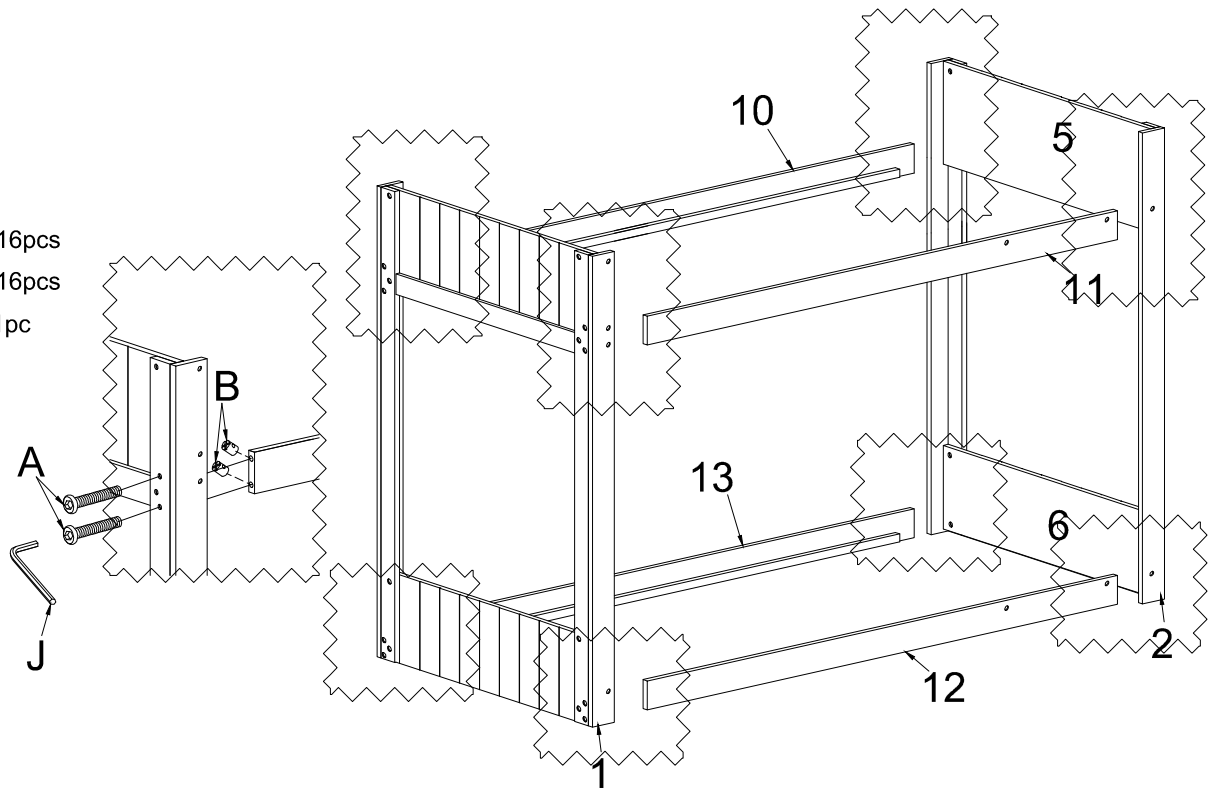
RIGHT



ASSEMBLY INSTRUCTIONS

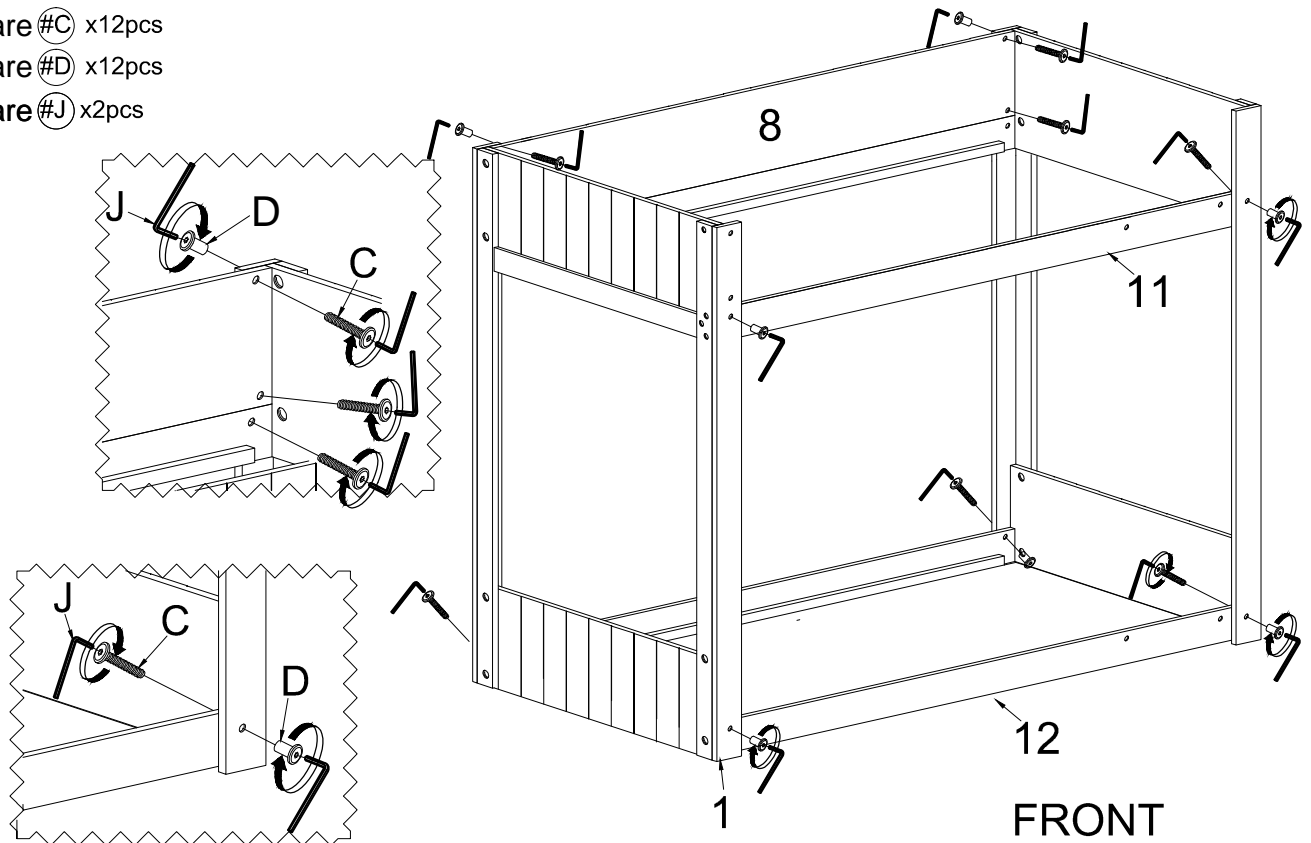
6

- Part #10 x1pc
- Part #11 x1pc
- Part #12 x1pc
- Part #13 x1pc
- Hardware #A x16pcs
- Hardware #B x16pcs
- Hardware #J x1pc



7

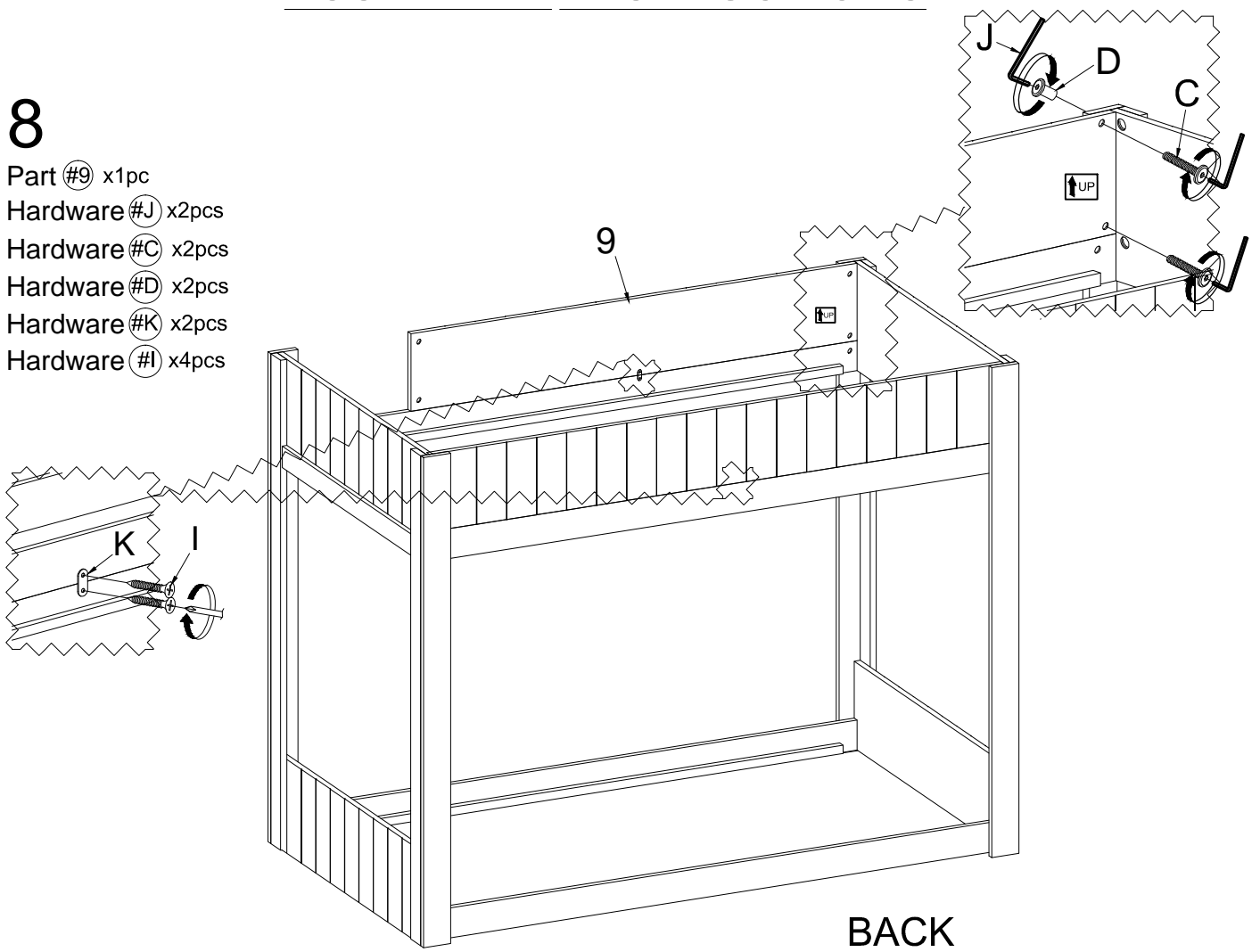
- Part #8 x1pcs
- Hardware #C x12pcs
- Hardware #D x12pcs
- Hardware #J x2pcs



ASSEMBLY INSTRUCTIONS

8

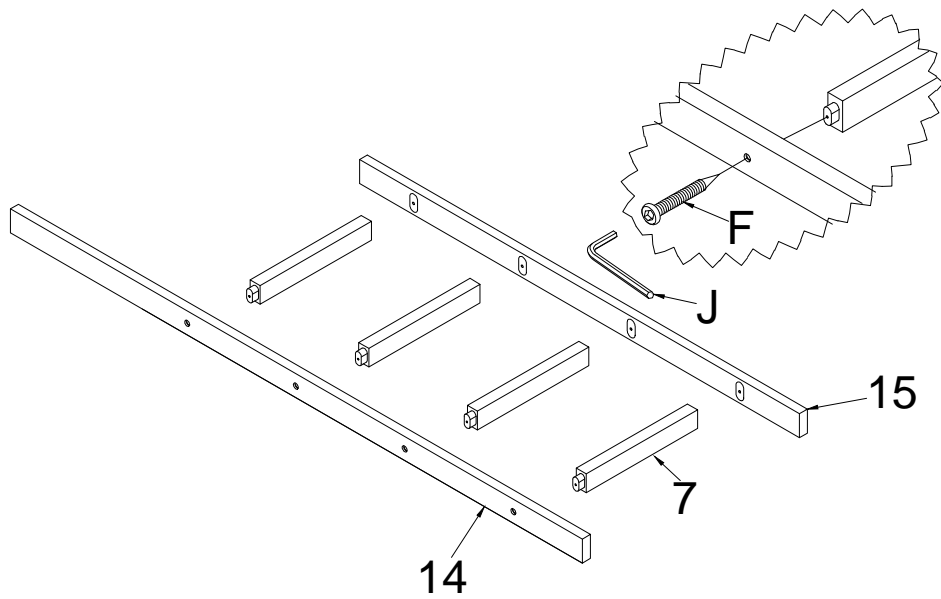
- Part #9 x1pc
- Hardware #J x2pcs
- Hardware #C x2pcs
- Hardware #D x2pcs
- Hardware #K x2pcs
- Hardware #I x4pcs



BACK

9

- Part #7 x4pcs
- Part #14 x1pc
- Part #15 x1pc
- Hardware #F x8pcs
- Hardware #J x1pc



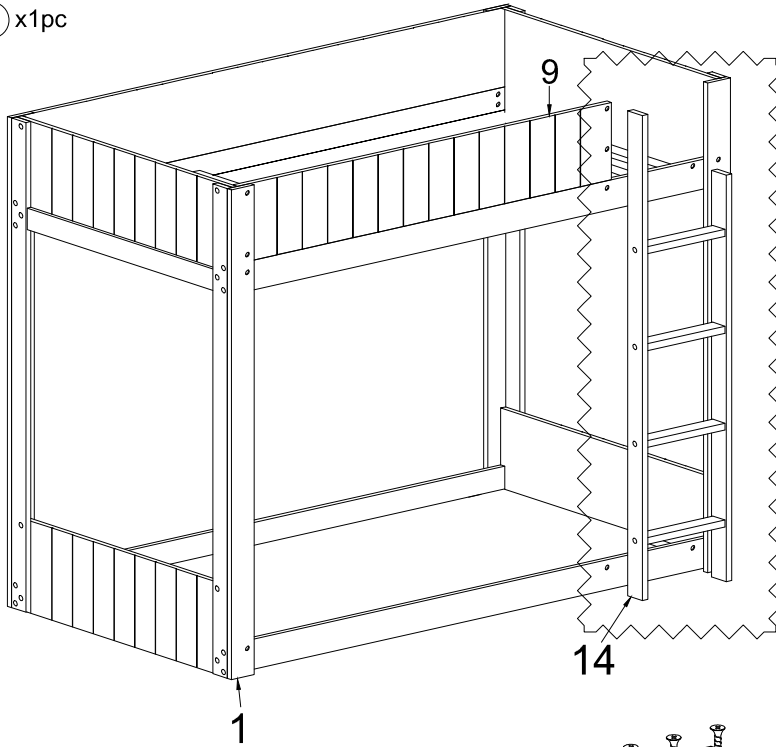
ASSEMBLY INSTRUCTIONS

10

Part #9 x1pc

Hardware #E x6pcs

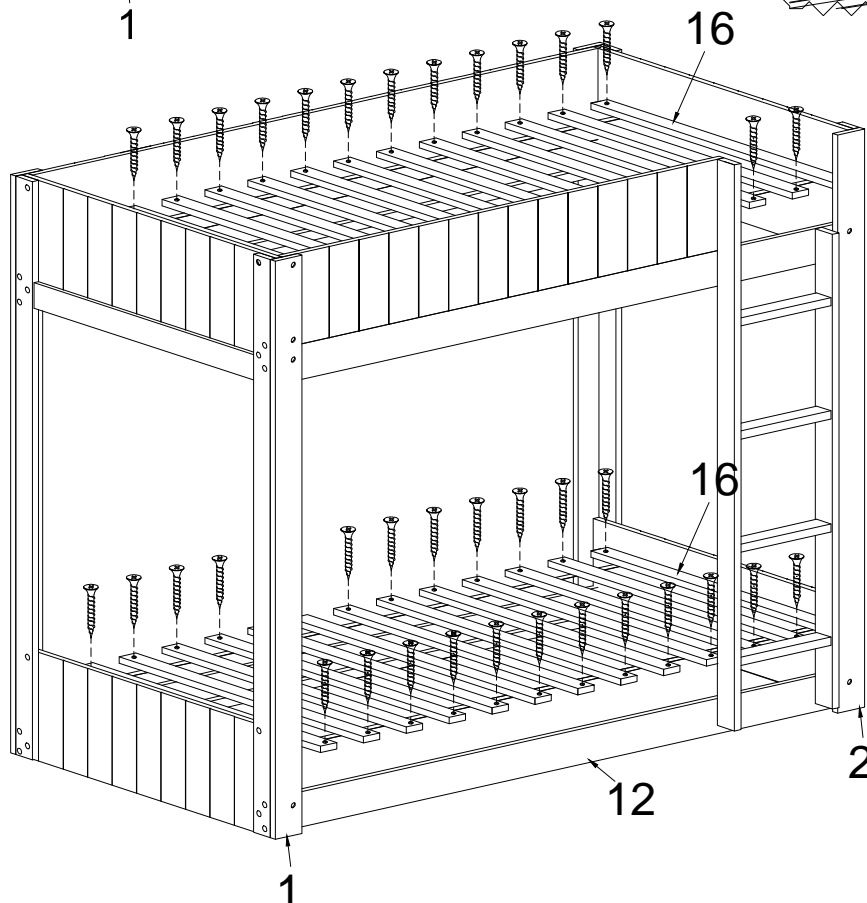
Hardware #J x1pc



11

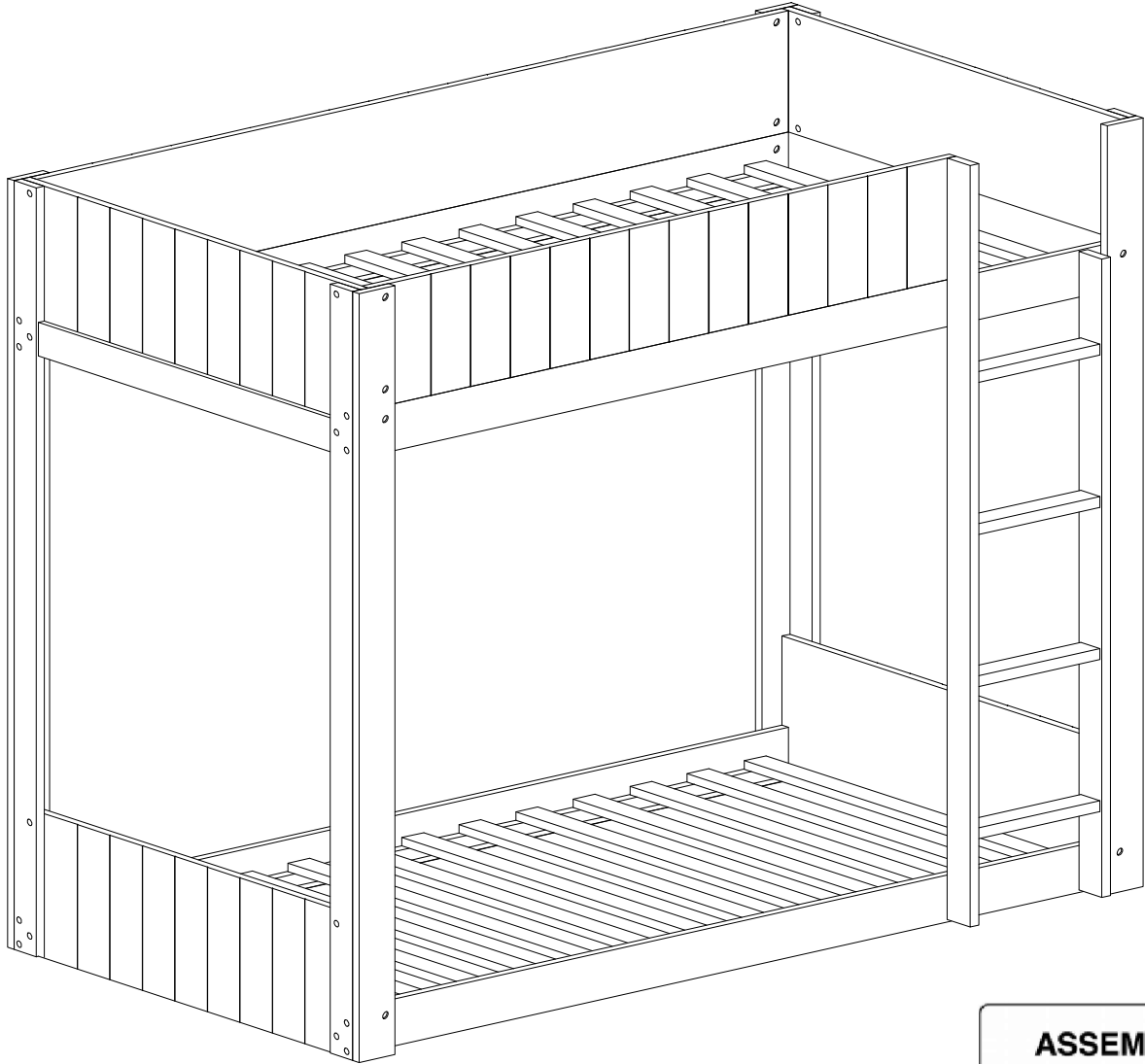
Part #16 x2set

Hardware #G x52pcs



ASSEMBLY INSTRUCTIONS

12



ASSEMBLY COMPLETED



Please ensure the furniture rests on an even and flat surface. If the product wobbles or feels loose, double-check all bolts and/or screws are properly tightened and secured.



Keep this handy!

Please retain this instruction manual and any order-related information for future reference.



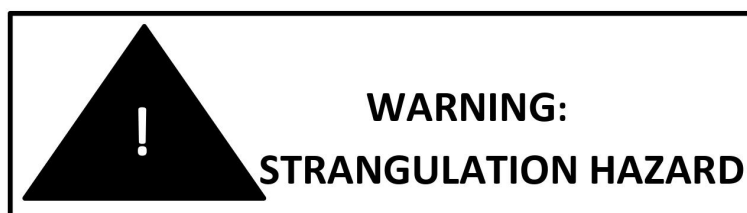
Lift, don't drag!

To avoid damage to product please always LIFT the product when transporting or adjusting the placement.

This product is intended for RESIDENTIAL USE ONLY and not for commercial use.

Safety Warnings for Bunk Beds

1. Read and follow the information on the WARNING labels show on the end structure of the upper bunk and on the carton.
2. Do not remove warning labels from the bed.
3. Keep these instructions for future use.
4. Use only mattresses measuring 74"-75" x 38 ½" x 6" for the upper bunk and for the bottom bunk required 74"-75" x 38 1/2" x 6" mattress
IMPORTANT: Must use Bunkie mattress or Bunkie board. The proper sizes for the UPPER/LOWER TWIN-SIZE Bunkie mattress or Bunkie board should be 74"-75" long and 38 ½" wide with no more than 6"
5. Surface of mattress must be at least 5 inches (127 mm) BELOW the upper edge of the guardrails.
6. The MAXIMUM weight capacity for the upper bunk is not to exceed 150 lbs.
7. Do not allow children under 6 years of age to use the upper bunk.
8. Periodically check and ensure that the guardrails, ladder, handle and other components are in their proper position, free from damage, and that all connectors are tightened and secured.
9. DO NOT allow horseplay, rough playing, or jumping on the beds and do not allow playing or hiding under the beds.
10. Always use the ladder for entering or leaving the upper bunk.
11. Do not use substitute parts. Contact the manufacturer or dealer for replacement parts.
12. Use of a nightlight may provide added safety precaution for a person using the upper bunk.
13. Always use the guardrails on both sides of the upper bunk.
14. If the bunk bed will be placed next to a wall, the guardrail that runs the full length of the bed should be placed against the wall to prevent entrapment between the bed and the wall.
15. The use of water or sleep flotation mattresses is prohibited.
16. No more than one person is allowed on the upper bunk at all times.
17. Always use the recommended size mattresses or mattress supports, or both, to help prevent the like likelihood of entrapment or falls.



Objects such as, but not limited to, hanger, hooks, belts, bag, rope strings, etc. should not be hanged or used on or around the bunk bed.

Replacement Parts:

Replacement parts may be obtained from your Furniture of America dealer.

Distributed by:
Furniture of America
20300 Business Parkway
City of Industry, CA 91789