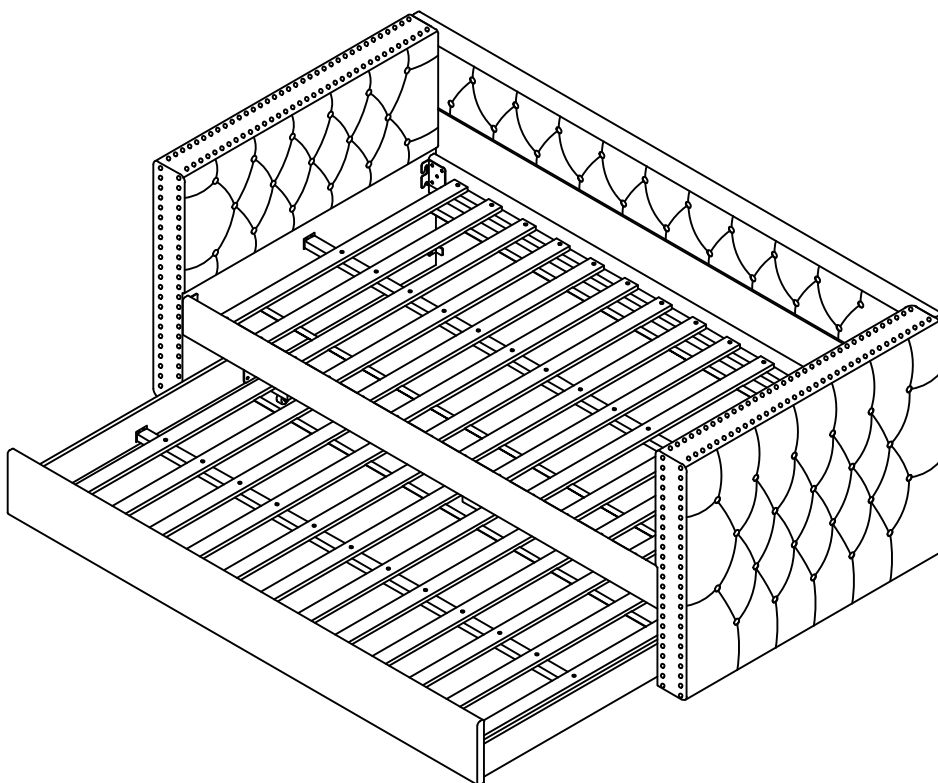


ASSEMBLY INSTRUCTIONS



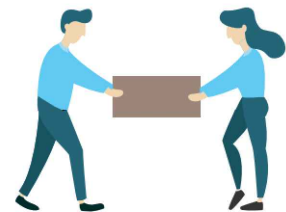
TOOLS REQUIRED



Screwdriver
(Not Included)



(Included)
Allen Wrench



2 - People

ASSEMBLY RATING



EASY ————— DIFFICULT

The Assembly Rating is a 5-point system showing the level of effort needed to assemble a specific product.



CHECK BEFORE STARTING

Are you missing anything?

Double-check all parts, hardware and accessories listed are all accounted for.

Check out our Quick Tips!

We recommend reviewing the pre-assembly handouts. Even experts need a refresher now and then!

Should we send any replacements?

Are there any irregularities or flaws in the parts? We can send replacements!

Prep Time!

Please review the assembly instructions and all diagrams prior to assembling.

PRE ASSEMBLY INTRODUCTION

We understand building ready-to-assemble furniture can be a challenging experience for some. To help avoid confusion, we have provided some helpful tips that may speed up the process.



Teamwork

ALWAYS have at least two people to help with transporting and assembling the product to avoid potential injury and/or damage.



Suitable Location

Assembling near the area of the intended location is highly recommended.



Sufficient Space

Make sure you have enough space to move around during the assembly.



Avoid Scratches

Use cardboard, blankets or a carpeted area while assembling furniture to prevent to prevent scratches and damages.



Flat Surface

Make sure the furniture rests on a flat and level surface with each leg evenly touching the floor.

ASSEMBLY AND CARE ADVICE



FAILURE TO FOLLOW THE GUIDELINES BELOW MAY RESULT IN INJURY AND/OR PROPERTY DAMAGE.



Position each part correctly and insert screws or bolts into their respective holes.



Turn clockwise to tighten and only tighten when step is completed or when instructed to do so.



Use the appropriate hand tools or power tools for assembly. Select steps, such as tightening screws and/or bolts, may require hand tools to avoid causing damage during assembly.



Save the instructions and store any supplied tools for later maintenance.



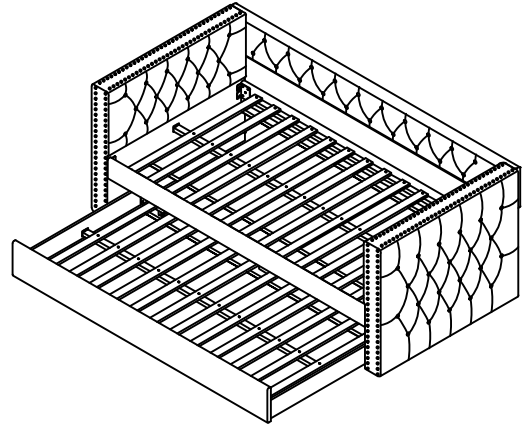
After two weeks, check and tighten any loose hardware and repeat again every six months thereafter.

IT IS THE USER'S RESPONSIBILITY TO MAINTAIN THE FURNITURE. THE HARDWARE MAY LOOSEN OVER TIME AND MAY CAUSE THE FURNITURE TO BE WOBBLY AND UNABLE TO SUPPORT ITS INTENDED WEIGHT CAPACITY. THIS MAY LEAD TO COLLAPSE AND MAY CAUSE SERIOUS INJURY.

UPHOLSTERED TWIN DAYBED

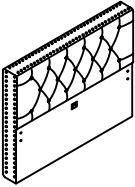


- Please keep instructions for future reference.
- Check the quantity and irregularity of parts and hardware before you start.



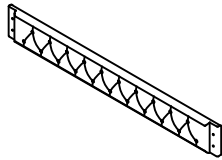
PARTS

1



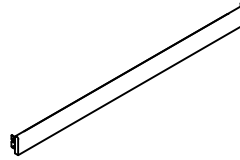
Arm(L&R)
2pcs

2



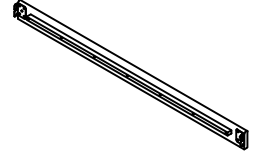
Top Back Panel
1pc

3L



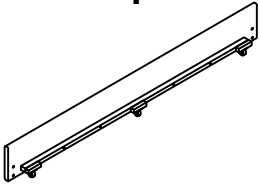
Top Side Rails
1pc

3R



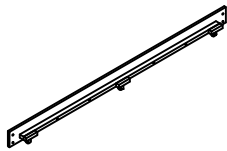
Top Side Rails
1pc

4



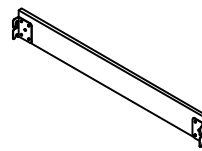
Bottom Front Panel
1pc

5



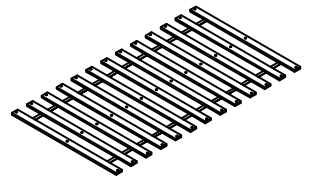
Bottom Back Panel
1pc

6



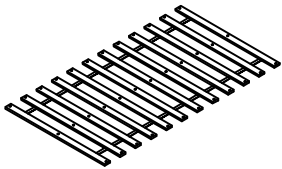
Bottom Side Panels
2pcs

7



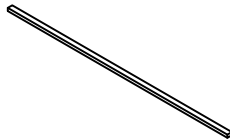
Top Slat(13pcs)
1set

8



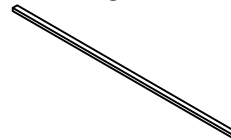
Bottom Slat(12pcs)
1set

9



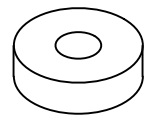
Top Center Support Rail
1pc

10



Bottom Center Support Rail
1pc

11



Plastic Feet
4pcs

HARDWARE PART

A



Bolt Ø5/16 x 1-1/2"

8pcs

B



Bolt Ø5/16 x 2-1/2"

4pcs

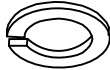
C



Bolt Ø5/16 x 3/4"

8pcs

D



Spring Washer

Ø5/16"

20pcs

E

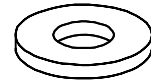


Flat Washer

Ø5/16\"x19mm

16pcs

F

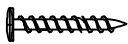


Flat Washer

Ø5/16\"x22mm

4pcs

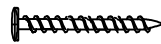
G



Screw #8x32mm

79pcs

H



Screw #8x50mm

4pcs

I

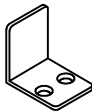


Allen key

(5mm)

1pc

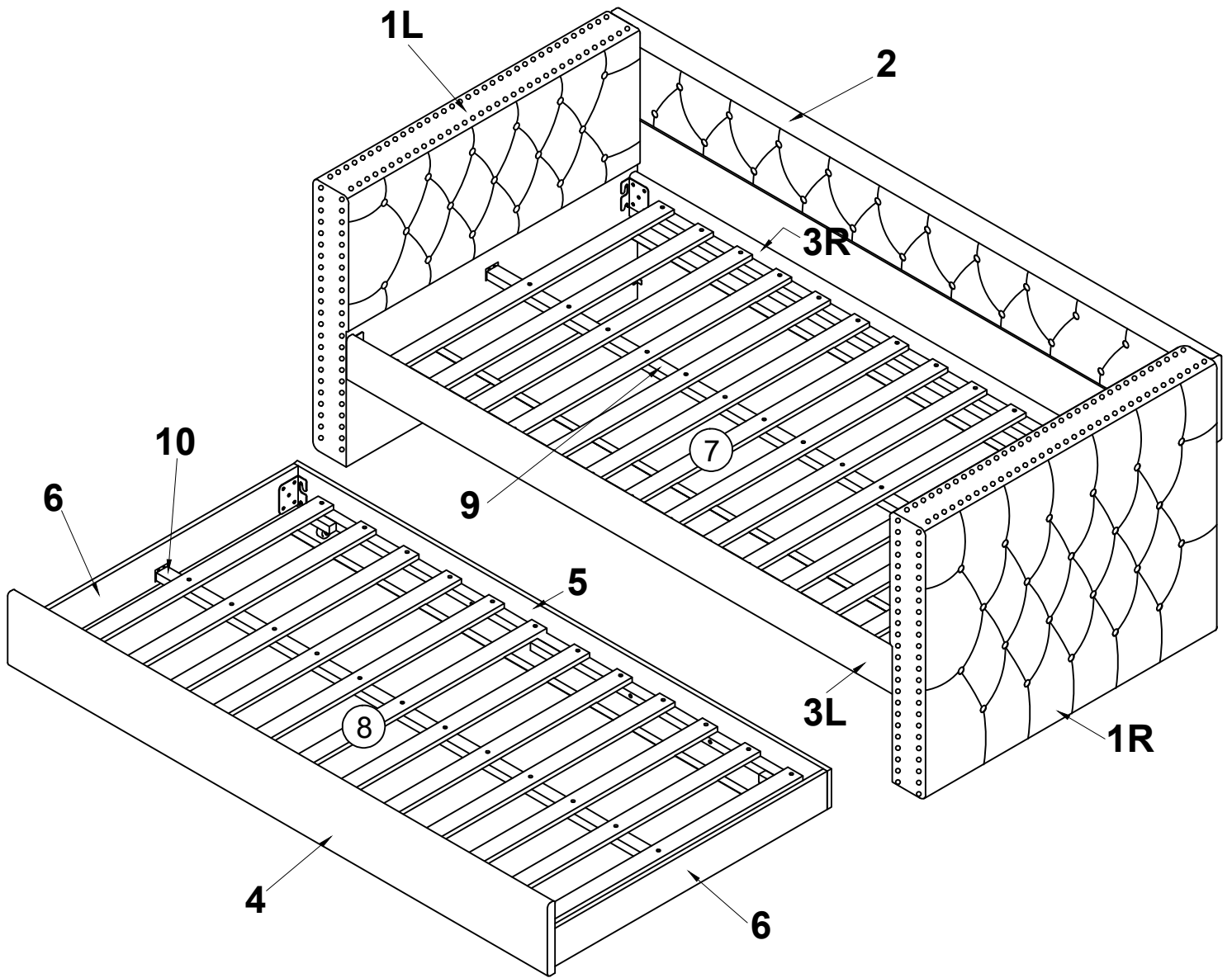
J



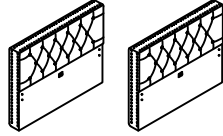










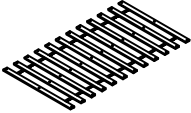

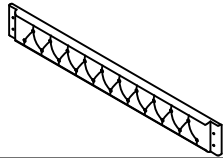

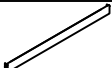

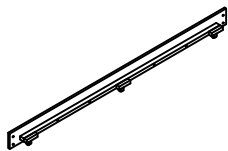
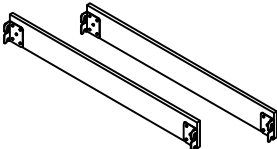
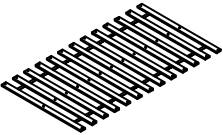
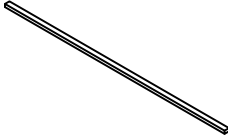
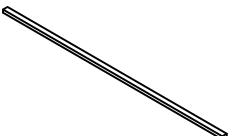
Square Patch

32mmx32mmx2mm

2pcs



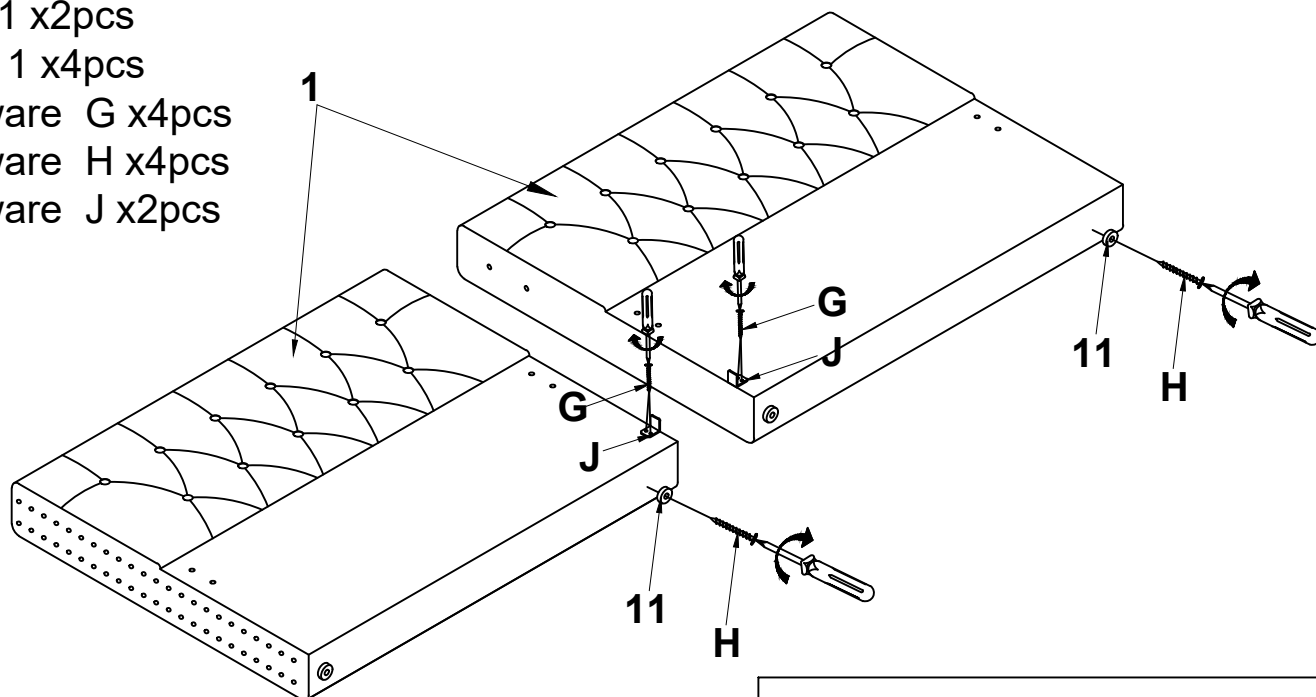
packed in 2 cases

Carton	Disignation	Part	Hardware
	Arm(L&R)	1 	 A x 8pcs  B x 4pcs  C x 8pcs  D x 20pcs  E x 16pcs  F x 4pcs  G x 79pcs  H x 4pcs  I x 1pc  J x 2pcs
	Bottom Slat(12pcs)	8 	
	Plastic Feet	11 	
	Top Back Panel	2 	
	Top Side Rails	3L 	
		3R 	
	Bottom Front Panel	4 	
	Bottom Back Panel	5 	
	Bottom Side Panels	6 	
	Top Slat(13pcs)	7 	
	Top Center Support Rail(long)	9 	
	Bottom Center Support Rail(short)	10 	

ASSEMBLY INSTRUCTIONS

1

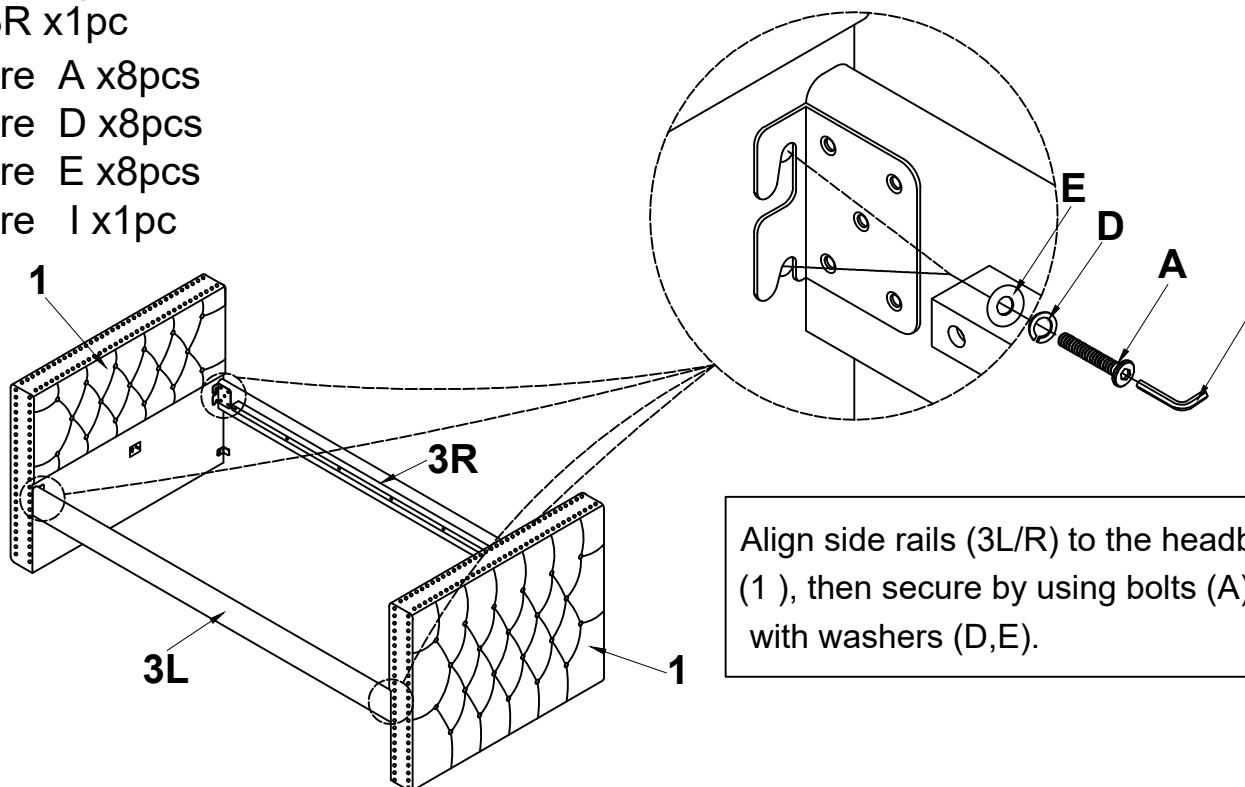
- Part 1 x2pcs
- Part 11 x4pcs
- Hardware G x4pcs
- Hardware H x4pcs
- Hardware J x2pcs



Align feet (11) to the headboard (1), then secure by using screws (H).

2

- Part 3L x1pc
- Part 3R x1pc
- Hardware A x8pcs
- Hardware D x8pcs
- Hardware E x8pcs
- Hardware I x1pc



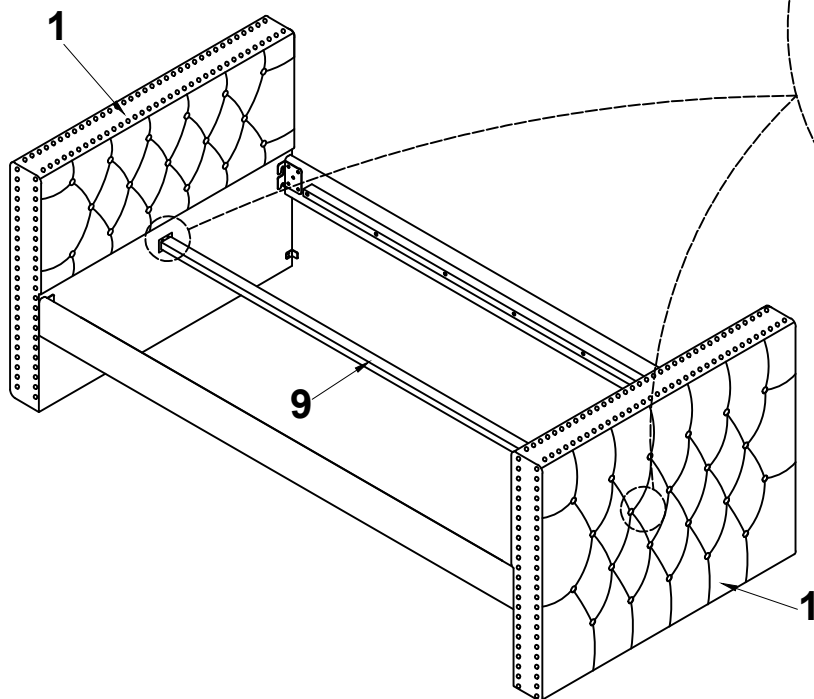
Align side rails (3L/R) to the headboards (1), then secure by using bolts (A) with washers (D,E).

ASSEMBLY INSTRUCTIONS

3

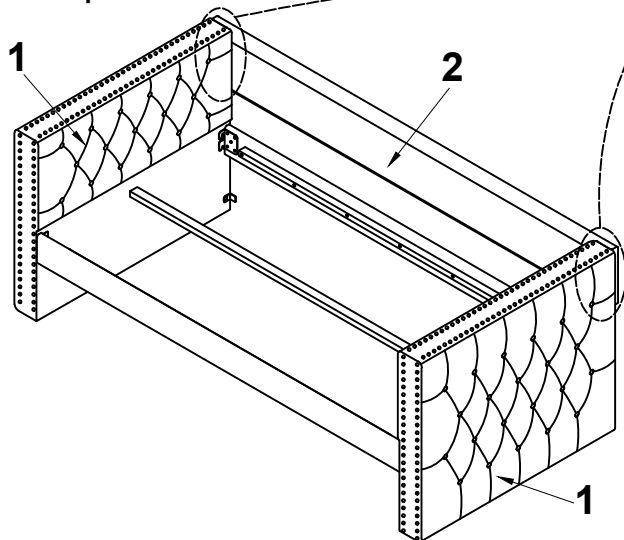
Part 1 x2pcs
Part 9 x1pc

Align and attach the center support rail (9) to the headboard (1).



4

Part 1 x2pcs
Part 2 x1pc
Hardware B x4pcs
Hardware D x4pcs
Hardware F x4pcs
Hardware I x1pc



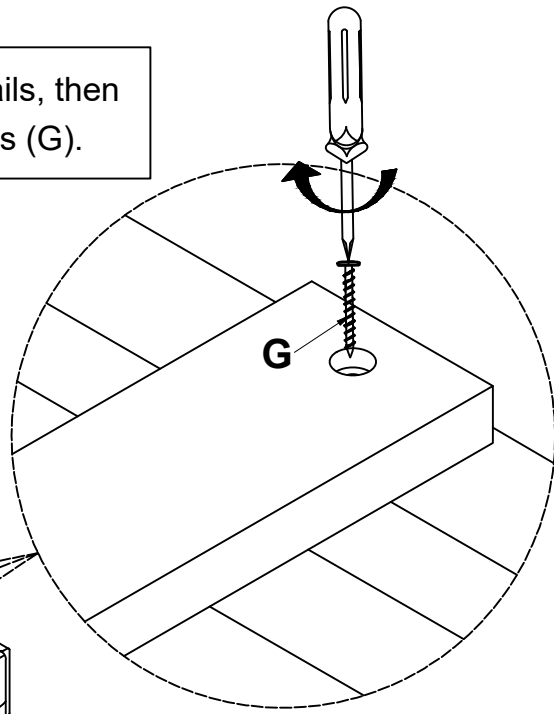
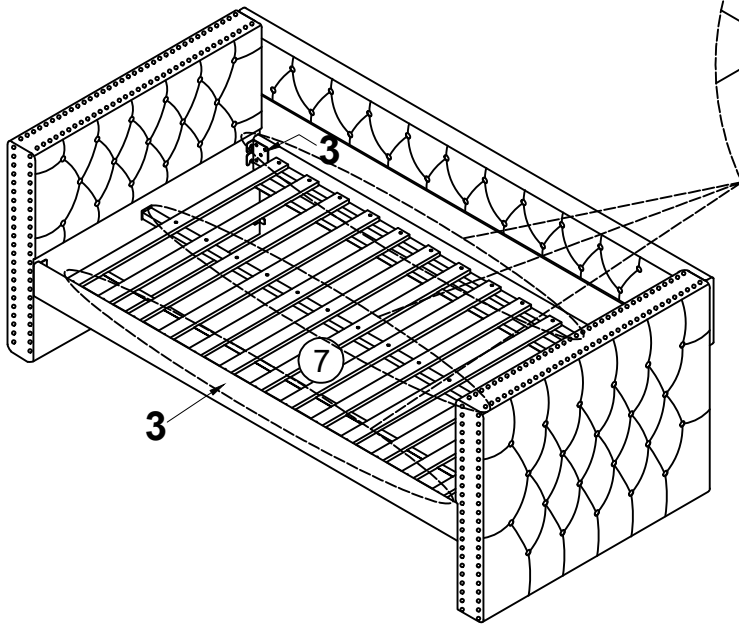
Align back panel (2) to the headboards (1), then secure by using bolts (B) with washers (D,F).

ASSEMBLY INSTRUCTIONS

5

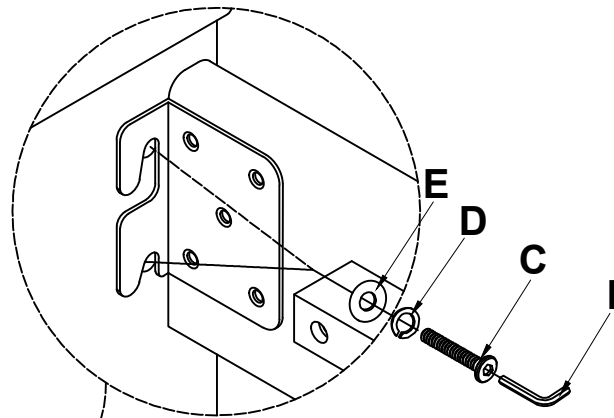
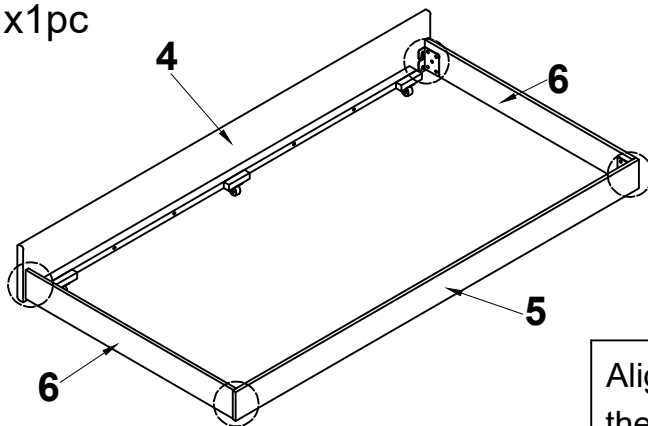
Part 3 x2pcs
Part 7 x1set
Hardware G x39pcs

Align slats (7) to the rails, then secure by using screws (G).



6

Part 4 x1pc
Part 5 x1pc
Part 6 x2pcs
Hardware C x8pcs
Hardware D x8pcs
Hardware E x8pcs
Hardware I x1pc



Align front and back trundle panels (4,5) to the trundle side panels (6), then secure by using bolts (C) with washers (D,E).

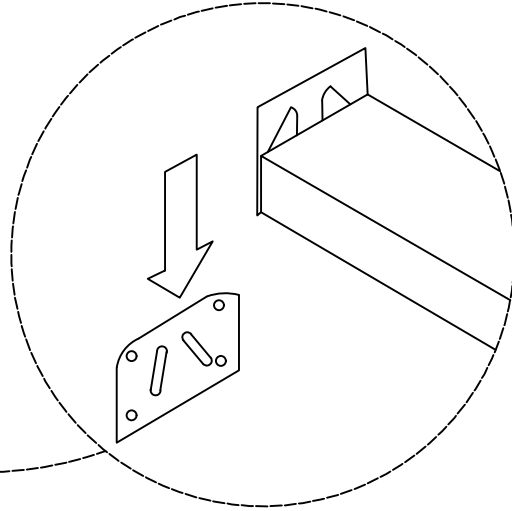
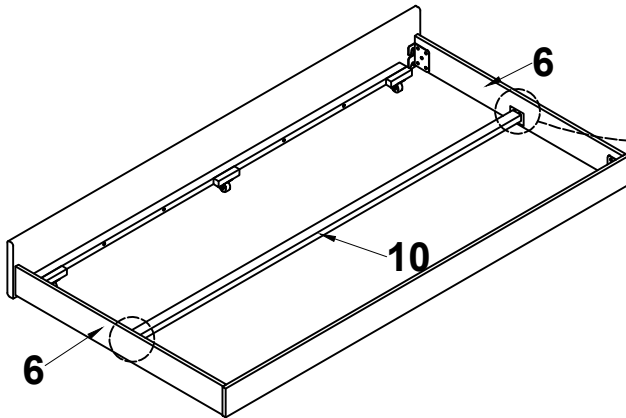
ASSEMBLY INSTRUCTIONS

7

Part 6 x2pcs

Part 10 x1pc

Align and attach the trundle center support rail (10) to the side rails (6).



8

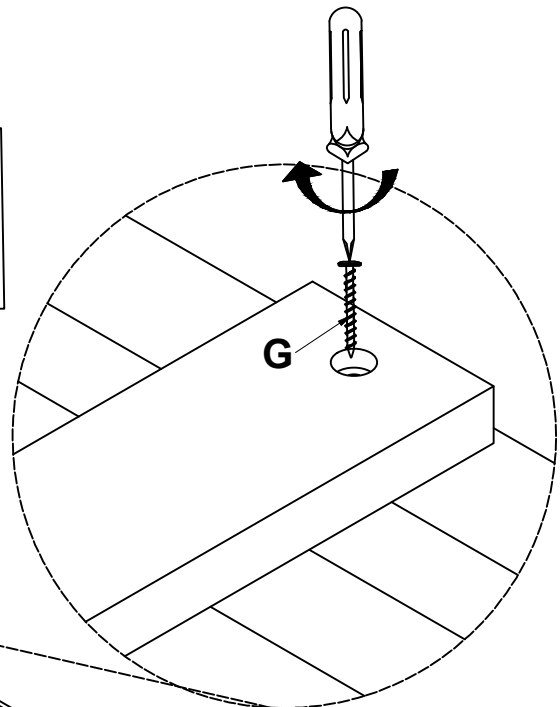
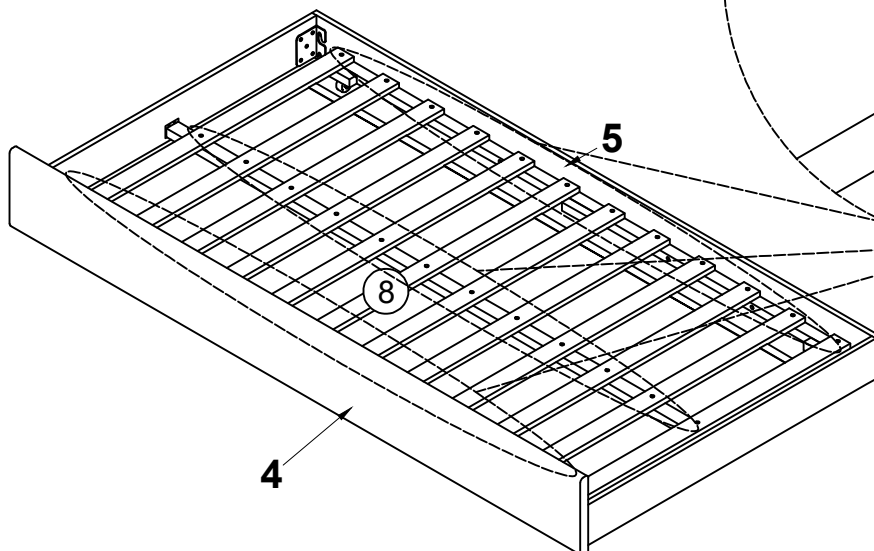
Part 4 x1pc

Part 5 x1pc

Part 8 x1set

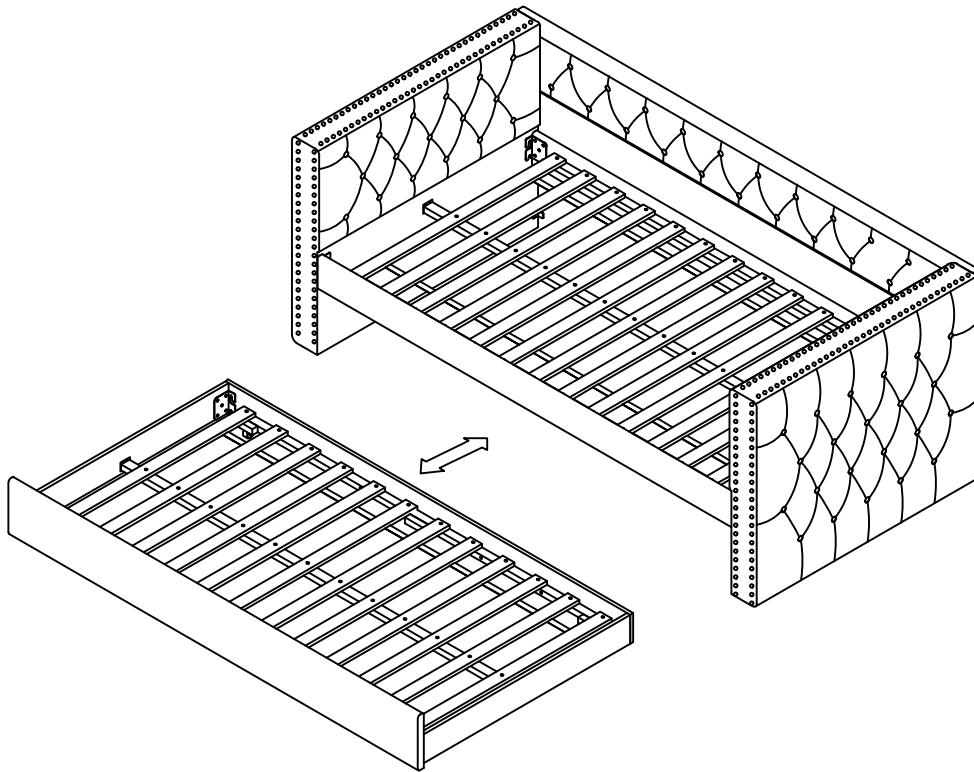
Hardware G x36pcs

Align slats (8) to the front and back panels, then secure by using screws (G).

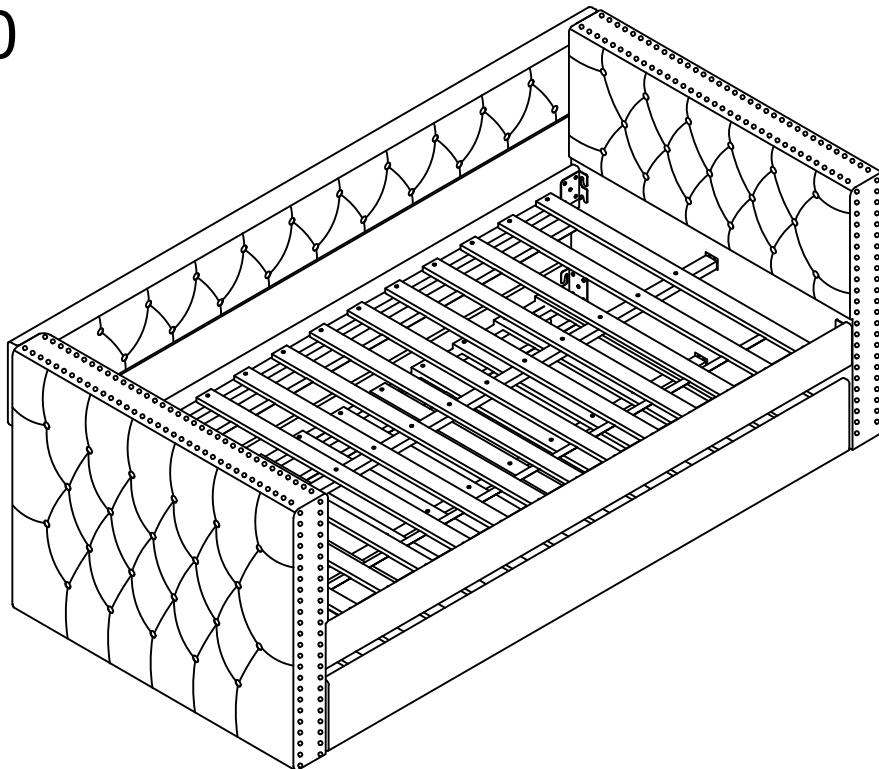


ASSEMBLY INSTRUCTIONS

9



10



ASSEMBLY COMPLETED



Please ensure the furniture rests on an even and flat surface. If the product wobbles or feels loose, double-check all bolts and/or screws are properly tightened and secured.



Keep this handy!

Please retain this instruction manual and any order-related information for future reference.



Lift, don't drag!

To avoid damage to product please always LIFT the product when transporting or adjusting the placement.

This product is intended for RESIDENTIAL USE ONLY and not for commercial use.