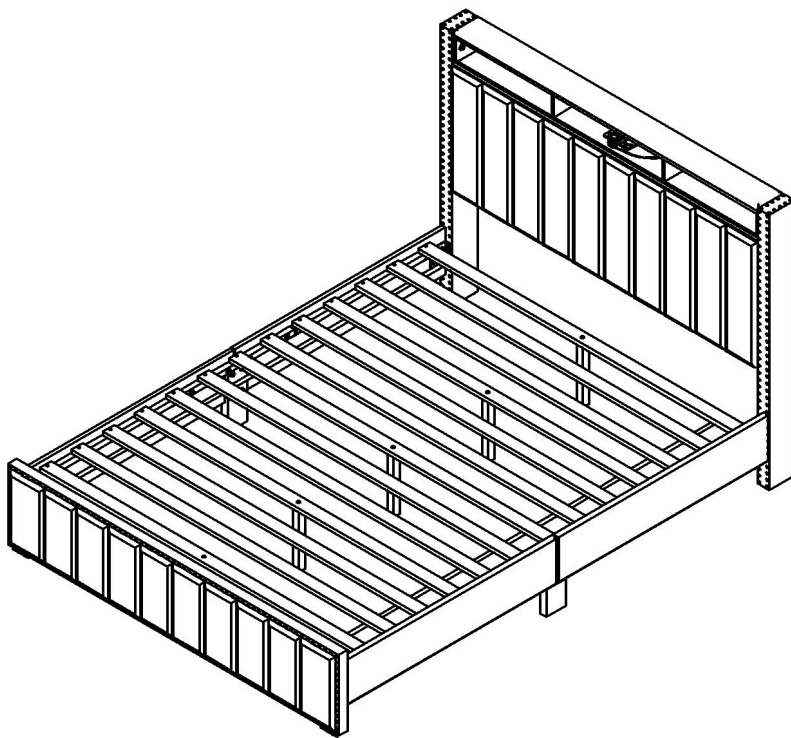


ASSEMBLY INSTRUCTIONS



TOOLS REQUIRED



Screwdriver
(Not included)



(Included)
Allen Wrench



2 - People

ASSEMBLY RATING



EASY —————> DIFFICULT

The Assembly Rating is a 5-point system showing the level of effort needed to assemble a specific product.



CHECK BEFORE STARTING

Are you missing anything?

Double-check all parts, hardware and accessories listed are all accounted for.

Check out our Quick Tips!

We recommend reviewing the pre-assembly handouts. Even experts need a refresher now and then!

Should we send any replacements?

Are there any irregularities or flaws in the parts? We can send replacements!

Prep Time!

Please review the assembly instructions and all diagrams prior to assembling.

PRE ASSEMBLY INTRODUCTION

We understand building ready-to-assemble furniture can be a challenging experience for some. To help avoid confusion, we have provided some helpful tips that may speed up the process.



Teamwork

ALWAYS have at least two people to help with transporting and assembling the product to avoid potential injury and/or damage.



Suitable Location

Assembling near the area of the intended location is highly recommended.



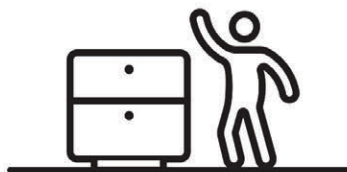
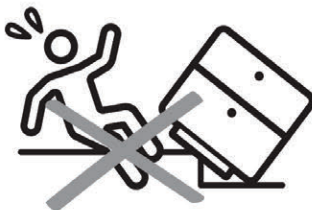
Sufficient Space

Make sure you have enough space to move around during the assembly.



Avoid Scratches

Use cardboard, blankets or a carpeted area while assembling furniture to prevent scratches and damages.



Flat Surface

Make sure the furniture rests on a flat and level surface with each leg evenly touching the floor.

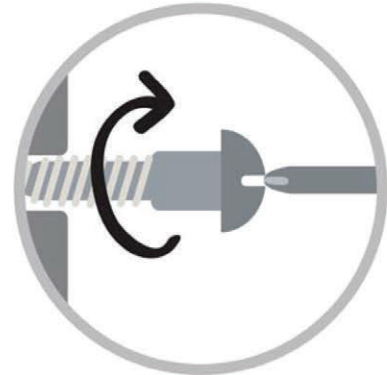
ASSEMBLY AND CARE ADVICE



FAILURE TO FOLLOW THE GUIDELINES BELOW MAY RESULT IN INJURY AND/OR PROPERTY DAMAGE.



Position each part correctly and insert screws or bolts into their respective holes.



Turn clockwise to tighten and only tighten when step is completed or when instructed to do so.



Use the appropriate hand tools or power tools for assembly. Select steps, such as tightening screws and/or bolts, may require hand tools to avoid causing damage during assembly.



Save the instructions and store any supplied tools for later maintenance.



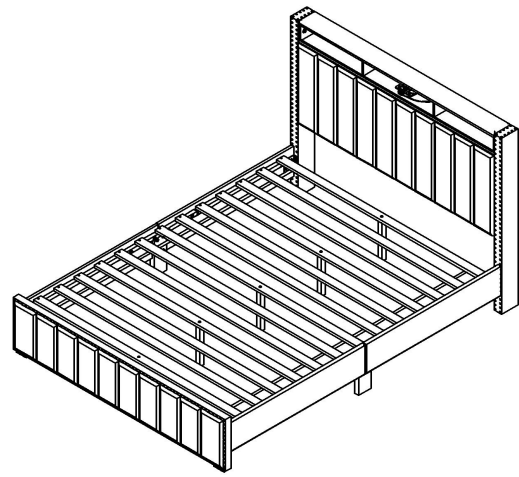
After two weeks, check and tighten any loose hardware and repeat again every six months thereafter.

IT IS THE USER'S RESPONSIBILITY TO MAINTAIN THE FURNITURE. THE HARDWARE MAY LOOSEN OVER TIME AND MAY CAUSE THE FURNITURE TO BE WOBBLY AND UNABLE TO SUPPORT ITS INTENDED WEIGHT CAPACITY. THIS MAY LEAD TO COLLAPSE AND MAY CAUSE SERIOUS INJURY.

QUEEN/FULL BED

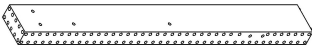


- Please keep instructions for future reference.
- Check the quantity and irregularity of parts and hardware before you start.



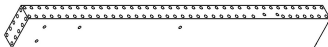
PARTS

#1 1pc



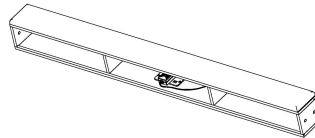
LEFT LEG

#2 1pc



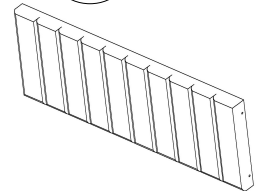
RIGHT LEG

#3 1pc



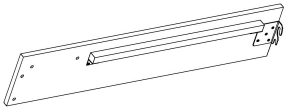
SHELF FRAME

#4 1pc



HEADBOARD

#5 2 pcs



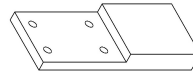
SIDE RAIL-LEFT

#6 2 pcs



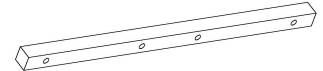
SIDE RAIL-RIGHT

#7 2 pcs



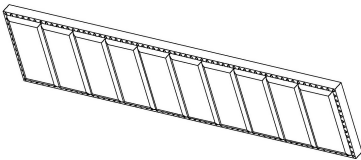
SIDE RAIL SUPPORT

#8 2 pcs



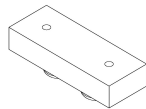
CROSS LINK

#10 1 pc



FOOTBOARD

#11 2 pcs



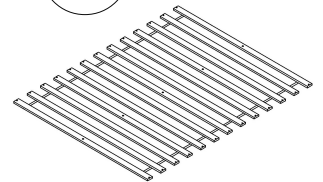
BOTTOM LEG

#12 5 pcs



SLAT SUPPORT

#13 1 roll



SLAT

HARDWARE

#A 8 pcs



BOLT 5/16*1"

#B 8 pcs



BOLT 5/16*1-3/8"

#G 16 pcs



BOLT 5/16*1-5/8"

#C 32 pcs



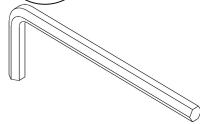
SPRING WASHER 5/16*13MM

#D 32 pcs



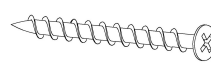
FLAT WASHER 5/16*19MM

#E 1 pc

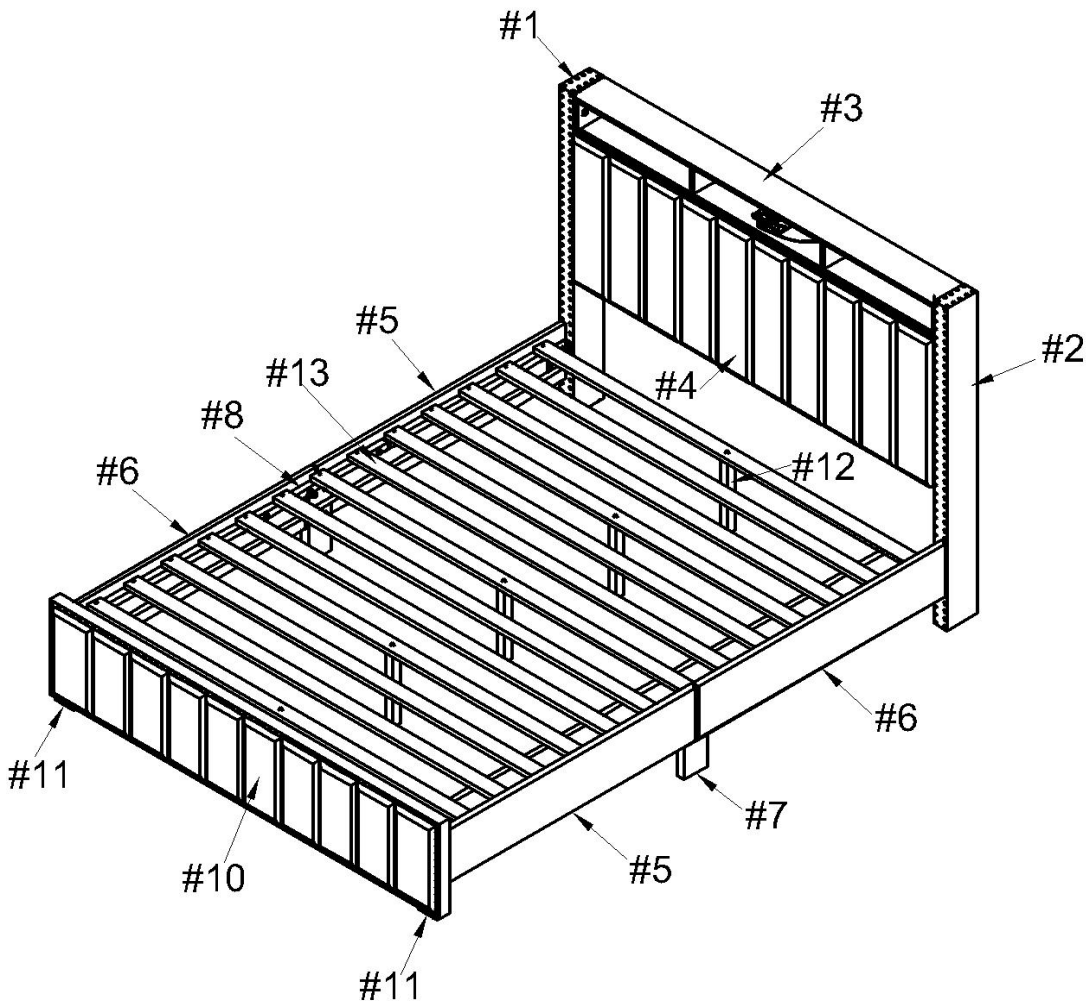


ALLEN KEY M4

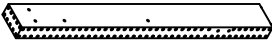
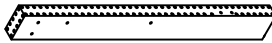
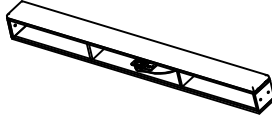
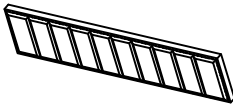
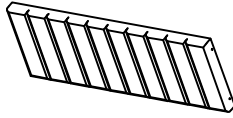






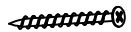
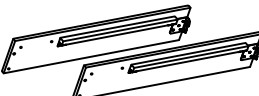
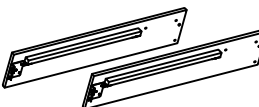
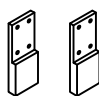


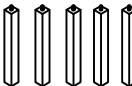
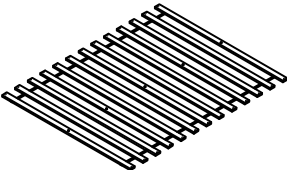
#F 30 pcs



SCREW #4*35MM



packed in 2 cases

Carton	Designation	Part	Hardware
	HB leg (L)	#1 	
	HB leg (R)	#2 	
	Shelf Frame	#3 	
	Footboard	#10 	
	Headboard	#4 	 #A x 8pcs  #B x 8pcs  #G x 16pcs  #C x 32pcs  #D x 32pcs  #E x 1pc  #F x 30pcs
	Side Rail (L) 2pcs	#5 	
	Side Rail (R) 2pcs	#6 	
	Side Rail Support leg 2pcs	#7 	
	Cross Link 2pcs	#8 	
	Bottom leg 2pcs	#11 	
	Slat support 5pcs	#12 	
	Slat roll 1pc	#13 	

ASSEMBLY INSTRUCTIONS

1

Part #1 x1pc

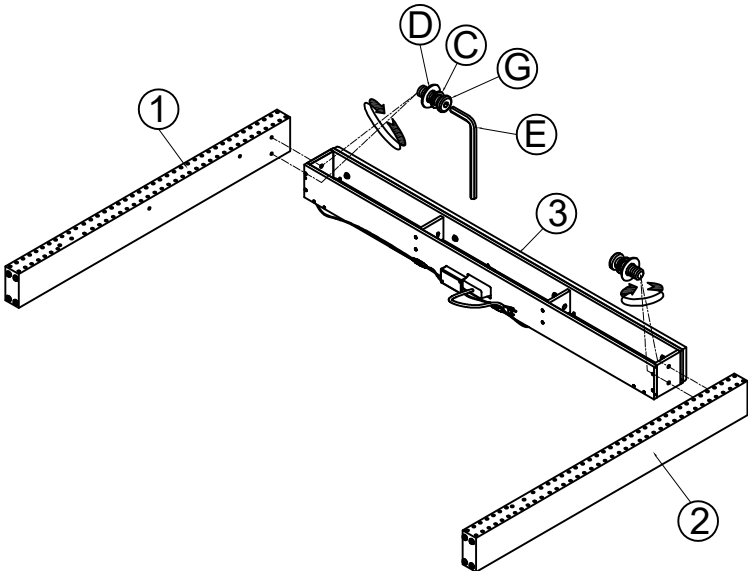
Part #2 x1pc

Part #3 x1pc

Hardware #G x4pcs

Hardware #C x4pcs

Hardware #D x4pcs



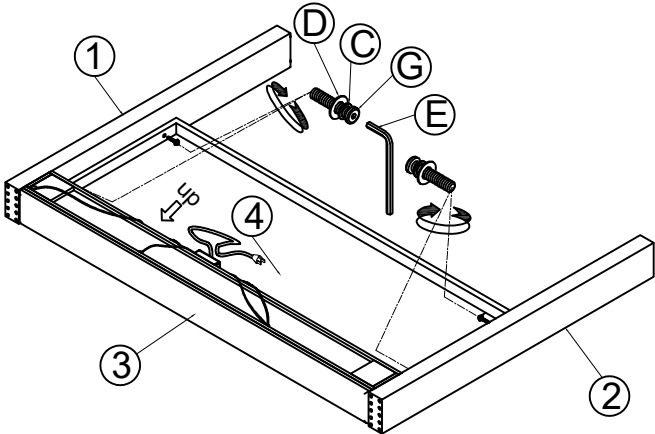
2

Part #4 x1pc

Hardware #G x4pcs

Hardware #C x4pcs

Hardware #D x4pcs

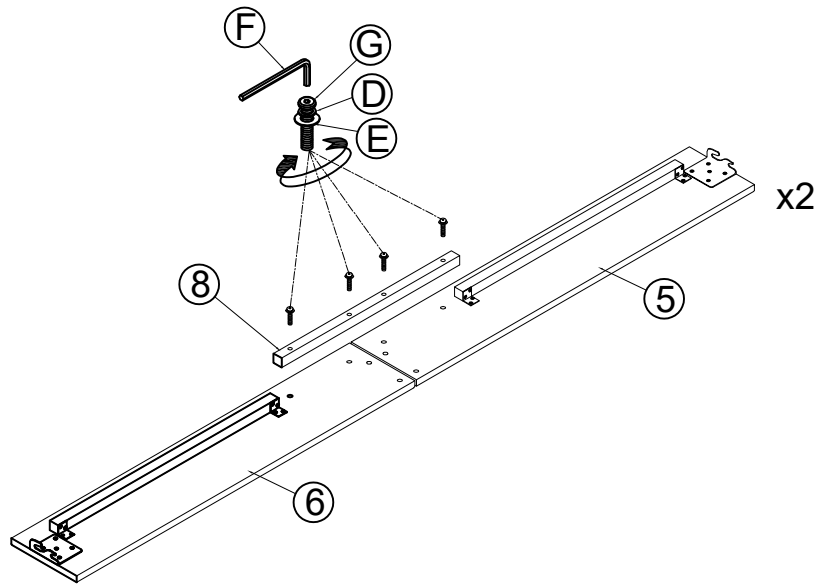


ASSEMBLY INSTRUCTIONS

3

Part #5 x2pcs
Part #6 x2pcs
Part #8 x2pcs

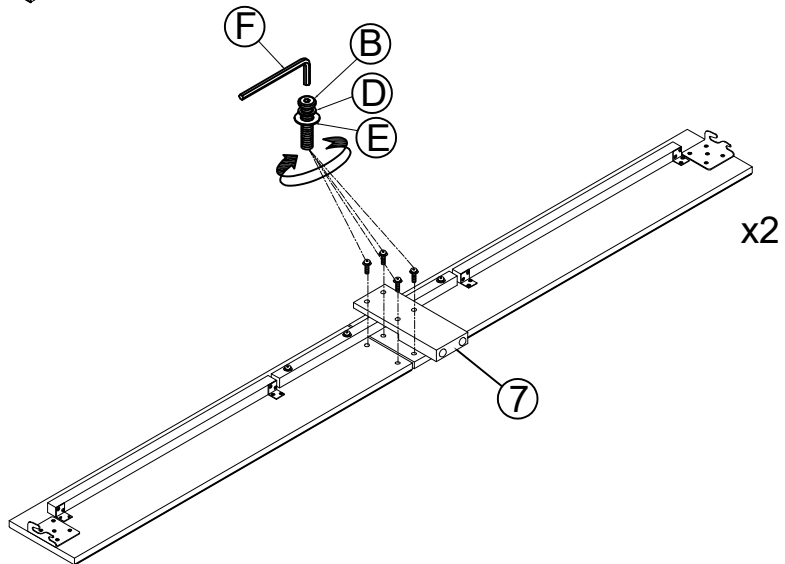
Hardware #G x8pcs
Hardware #D x8pcs
Hardware #E x8pcs



4

Part #7 x2pcs

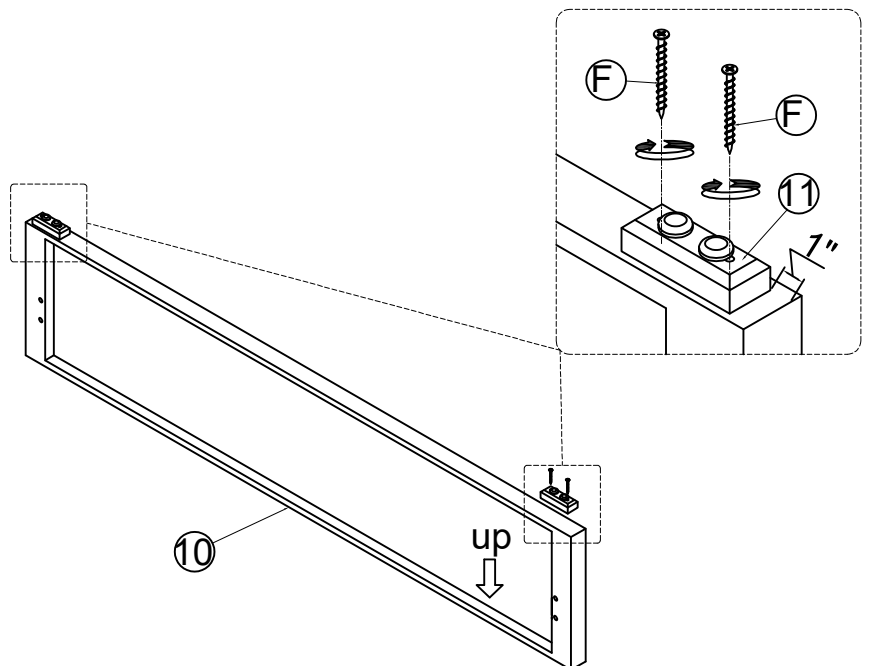
Hardware #B x8pcs
Hardware #D x8pcs
Hardware #E x8pcs



5

Part #10 x1pc
Part #11 x2pcs

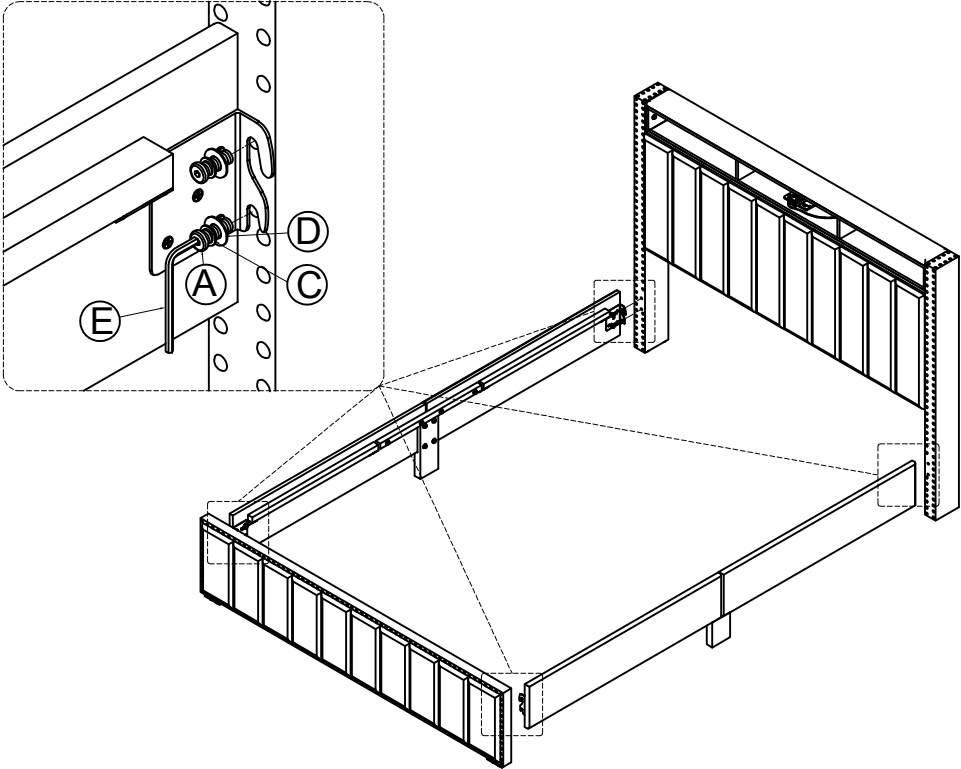
Hardware #F x4pcs



ASSEMBLY INSTRUCTIONS

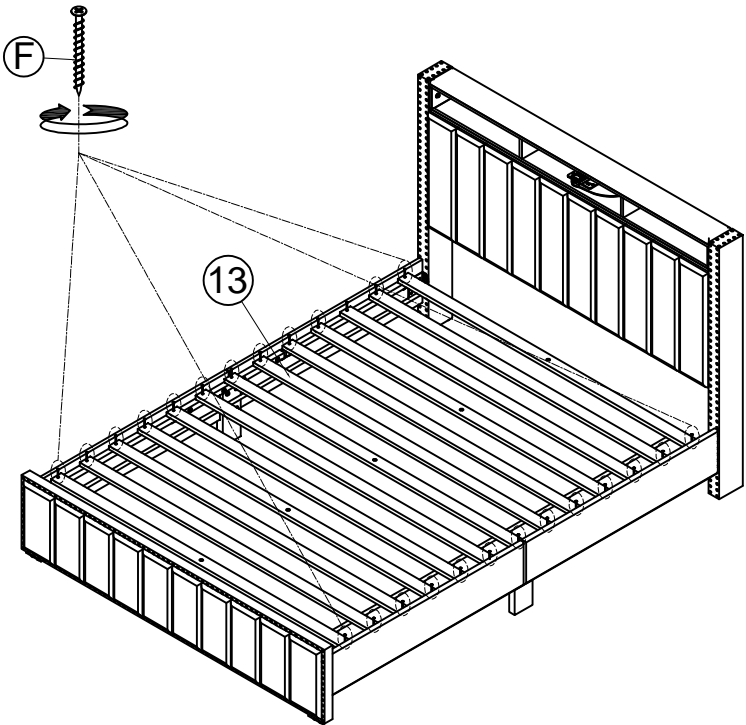
6

Hardware #A x8pcs
Hardware #C x8pcs
Hardware #D x8pcs



7

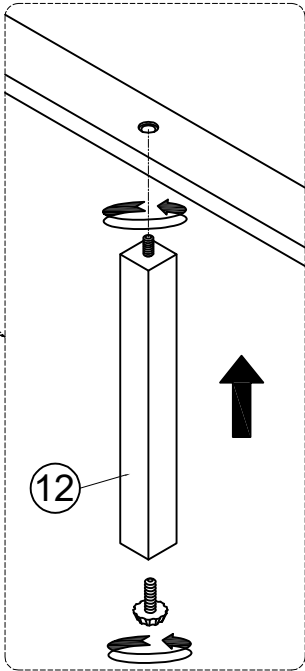
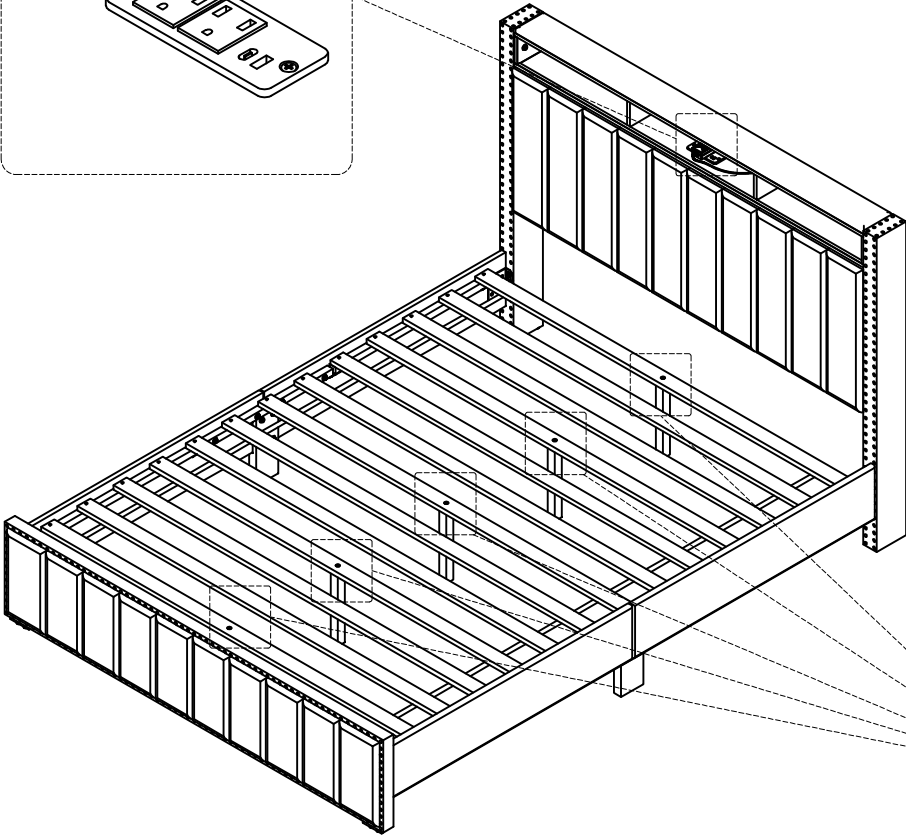
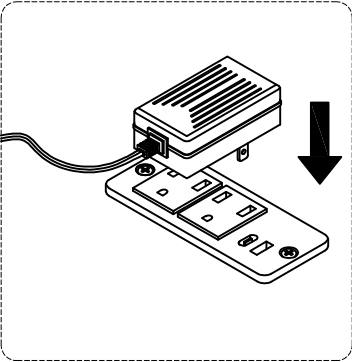
Part #13 x1pc
Hardware #F x26pcs



ASSEMBLY INSTRUCTIONS

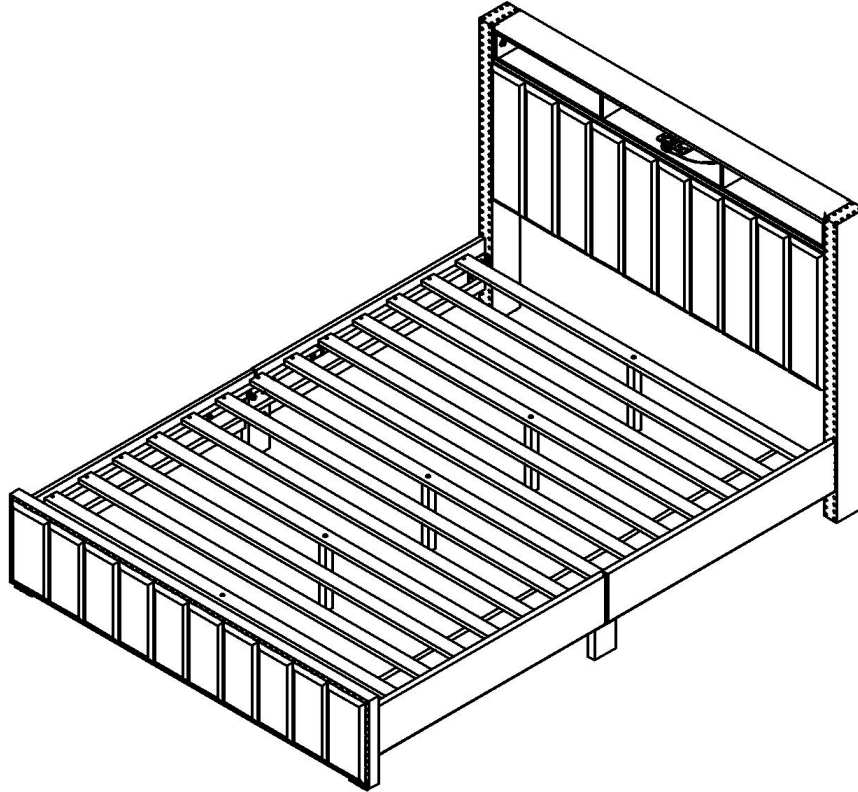
8

Part #12 x5pcs



ASSEMBLY INSTRUCTIONS

9



ASSEMBLY COMPLETED



Please ensure the furniture rests on an even and flat surface. If the product wobbles or feels loose, double-check all bolts and/or screws are properly tightened and secured.



Keep this handy!

Please retain this instruction manual and any order-related information for future reference.



Lift, don't drag!

To avoid damage to product please always LIFT the product when transporting or adjusting the placement.

This product is intended for RESIDENTIAL USE ONLY and not for commercial use.