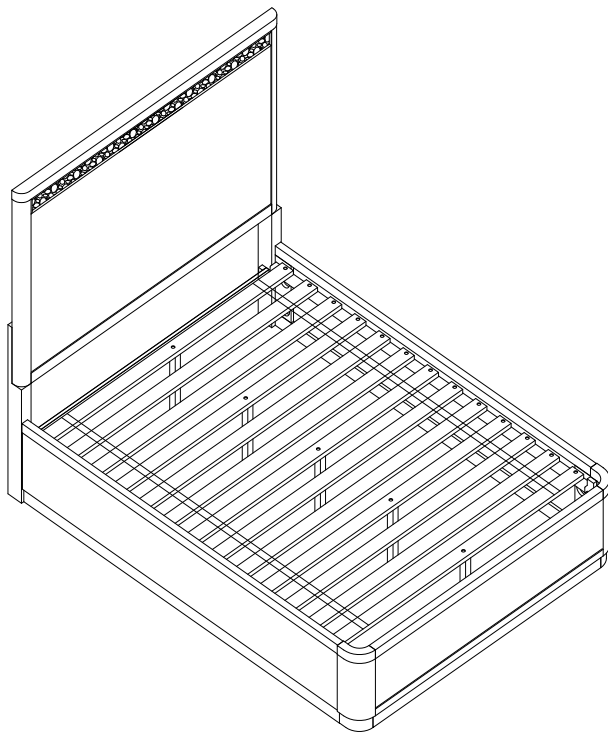
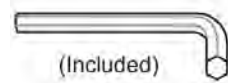


ASSEMBLY INSTRUCTIONS



TOOLS REQUIRED



(Included)

Allen Wrench

(Included)



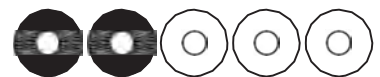
**Phillips
Screwdriver**

(Not Included)



**2 - People
Recommended**

ASSEMBLY RATING



EASY —————> **DIFFICULT**

The Assembly Rating is a 5-point system showing the level of effort needed to assemble a specific product.



CHECK BEFORE STARTING



Are you missing anything?

Double-check all parts, hardware and accessories listed are all accounted for.



Check out our Quick Tips!

We recommend reviewing the pre-assembly handouts. Even experts need a refresher now and then!



Should we send any replacements?

Are there any irregularities or flaws in the parts? We can send replacements!



Prep Time!

Please review the assembly instructions and all diagrams prior to assembling.

PRE ASSEMBLY INTRODUCTION

We understand building ready-to-assemble furniture can be a challenging experience for some. To help avoid confusion, we have provided some helpful tips that may speed up the process.



Teamwork

ALWAYS have at least two people to help with transporting and assembling the product to avoid potential injury and/or damage.



Suitable Location

Assembling near the area of the intended location is highly recommended.



Sufficient Space

Make sure you have enough space to move around during the assembly.



Avoid Scratches

Use cardboard, blankets or a carpeted area while assembling furniture to prevent to prevent scratches and damages.



Flat Surface

Make sure the furniture rests on a flat and level surface with each leg evenly touching the floor.

ASSEMBLY AND CARE ADVICE



FAILURE TO FOLLOW THE GUIDELINES BELOW MAY RESULT IN INJURY AND/OR PROPERTY DAMAGE.



Position each part correctly and insert screws or bolts into their respective holes.



Turn clockwise to tighten and only tighten when step is completed or when instructed to do so.



Use the appropriate hand tools or power tools for assembly. Select steps, such as tightening screws and/or bolts, may require hand tools to avoid causing damage during assembly.



Save the instructions and store any supplied tools for later maintenance.



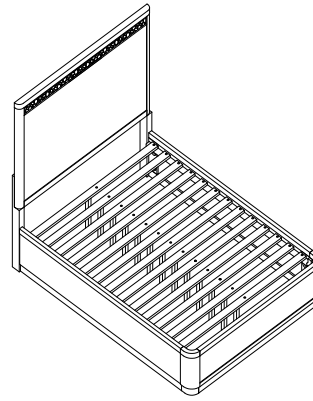
After two weeks, check and tighten any loose hardware and repeat again every six months thereafter.

IT IS THE USER'S RESPONSIBILITY TO MAINTAIN THE FURNITURE. THE HARDWARE MAY LOOSEN OVER TIME AND MAY CAUSE THE FURNITURE TO BE WOBBLY AND UNABLE TO SUPPORT ITS INTENDED WEIGHT CAPACITY. THIS MAY LEAD TO COLLAPSE AND MAY CAUSE SERIOUS INJURY.

QUEEN BED

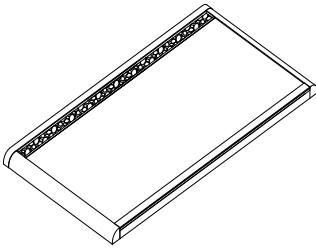


- Please keep instructions for future reference.
- Check the quantity and irregularity of parts and hardware before you start.



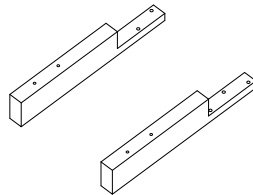
PARTS

①



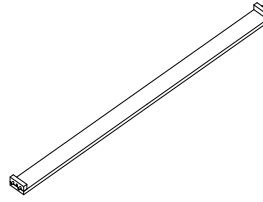
HEADBOARD
1pc

②



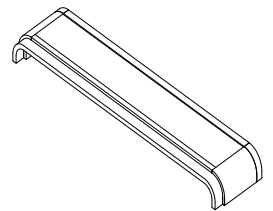
HEADBOARD LEGS L/R
2pcs

③



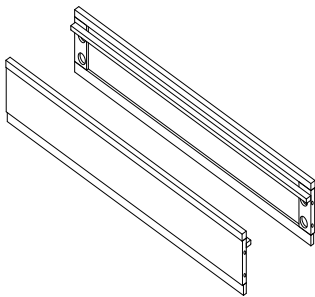
STRETCHER
1pc

④



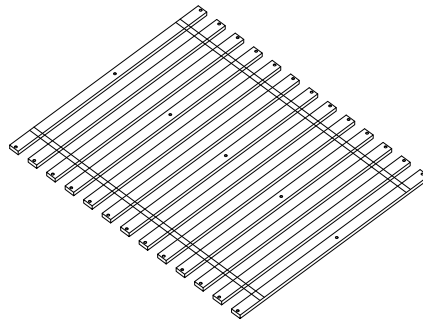
FOOTBOARD
1pc

⑤



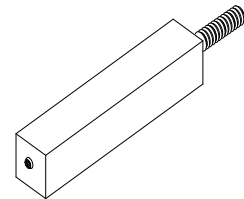
SIDE RAILS
2pcs

⑥



SLATS ROLL
13pcs

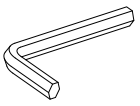
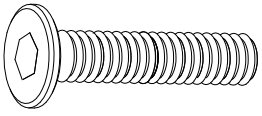

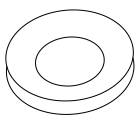
⑦



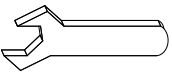
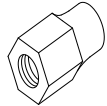

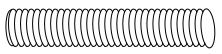
SUPPORT SLATS
5pcs

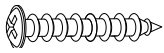
HARDWARE

1 .ASSEMBLY HEADBOARD

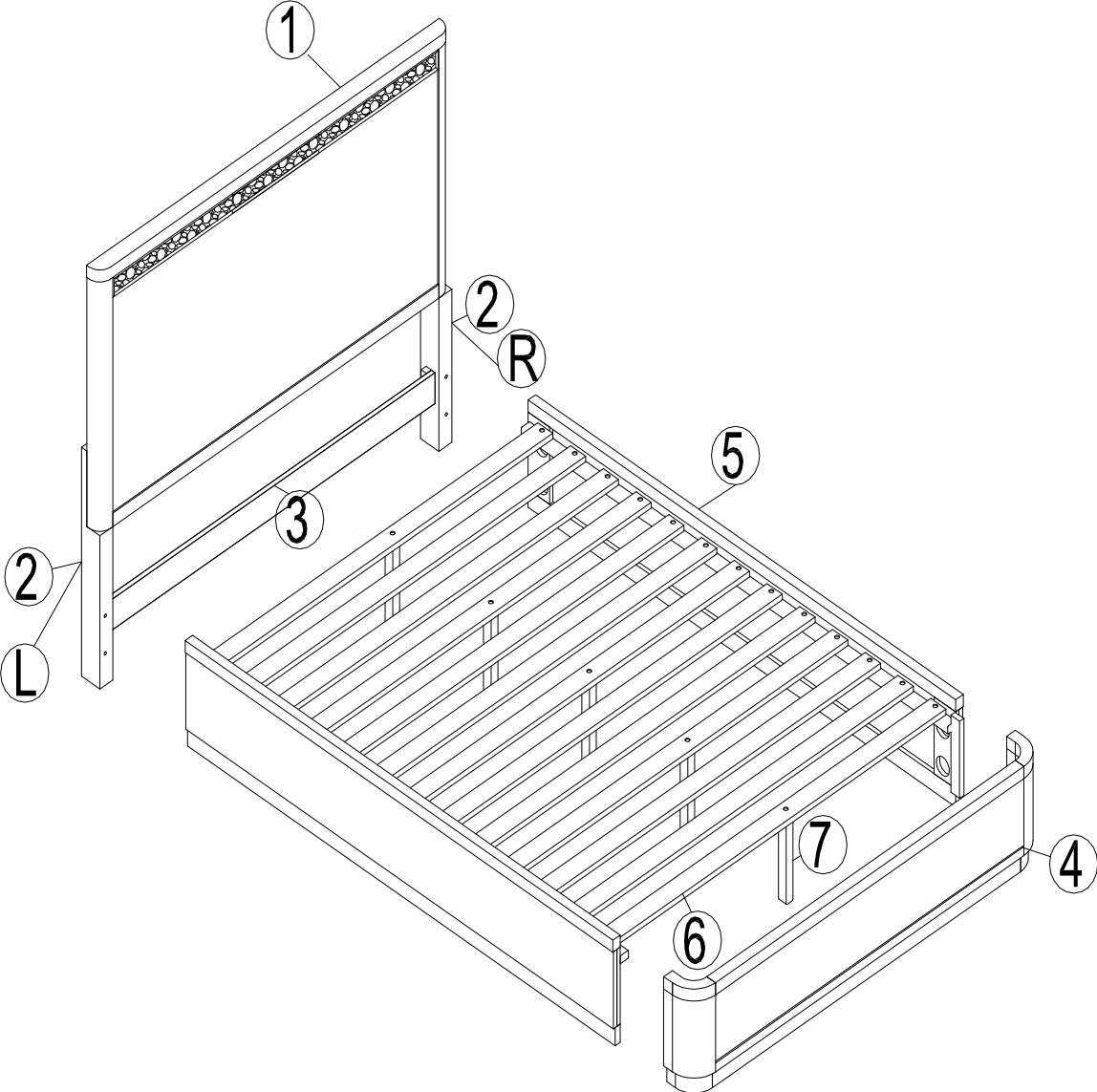
Ⓐ	Ⓑ	Ⓒ	Ⓓ
			
ALLEN WRENCH 1pc	BOLT 5/16" 2" 8pcs	LOCKWASHER 5/16" 8pcs	FLAT WASHER 5/16" x 19mm 8pcs

2.ASSEMBLY SIDE RAILS


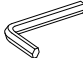
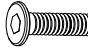
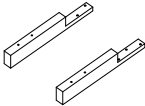


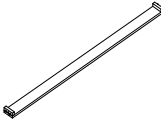
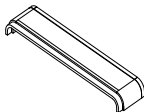
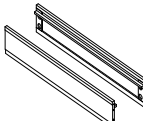
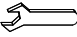

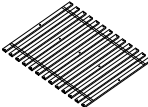


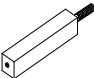
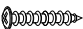
Ⓔ	Ⓕ	Ⓖ	Ⓗ
			
OPEN WRENCH 1pc	NUT 5/16" 8pcs	CURVED WASHER 5/16" 8pcs	BOLT 5/16" x 3" 8pcs

Ⓘ

WOOD SCREWS 26pcs

EXPLODED VIEW



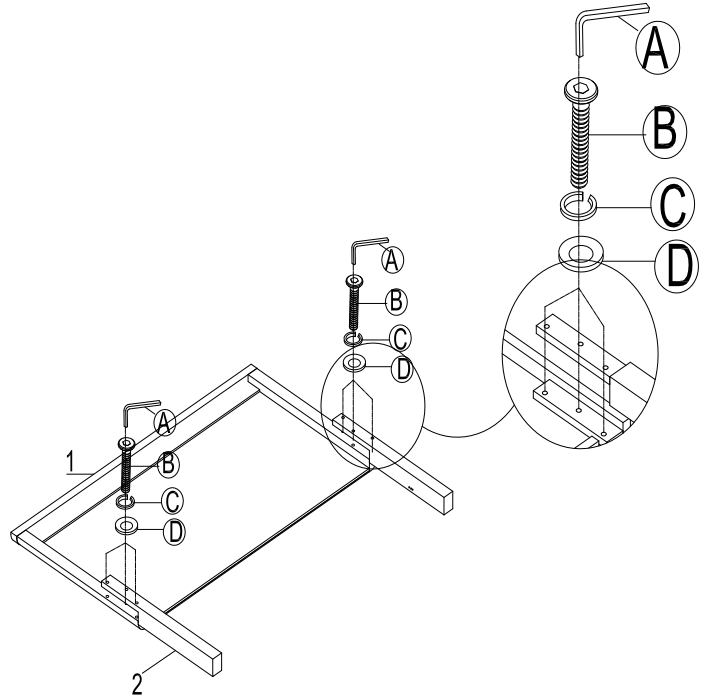
packed in 3 cases

	Headboard	# 1		 # A x 1pc  # B x 8pcs
	Headboard legs L/R	# 2		 # C x 8pcs  # D x 8pcs
	Stretcher	# 3		
	Footboard	# 4		
	Side rails	# 5		 # E x 1pc  # F x 8pcs
	Slats Roll	# 6		 # G x 8pcs  # H x 8pcs
	Support Slats	# 7		 # I x 26pcs

ASSEMBLY INSTRUCTIONS

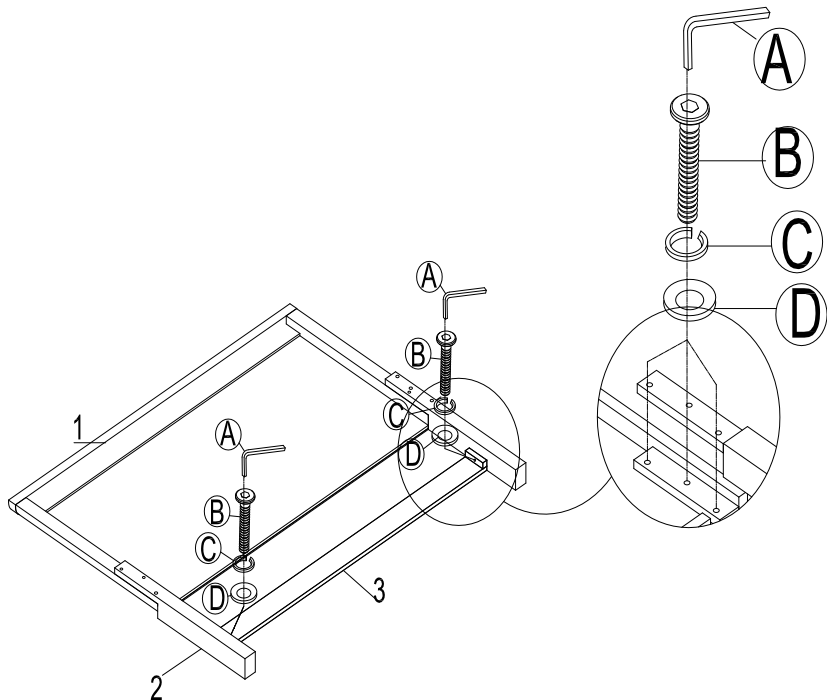
1. Part #1 x 1pc
Part #2 x 2pcs
Hardware # A x 1pc
Hardware # B x 6pcs
Hardware # C x 6pcs
Hardware # D x 6pcs

Attach the Headboard Legs (#2) to the Headboard (#1). Secure by using Bolt (#B) with Lock Washer (#C) and Flat washer (#D) Allen wrench (#A).



2. Part # 1 x 1pc
Part #2 x 2pcs
Part #3 x 1pc
Hardware # A x 1pc
Hardware # B x 2pcs
Hardware # C x 2pcs
Hardware # D x 2pcs

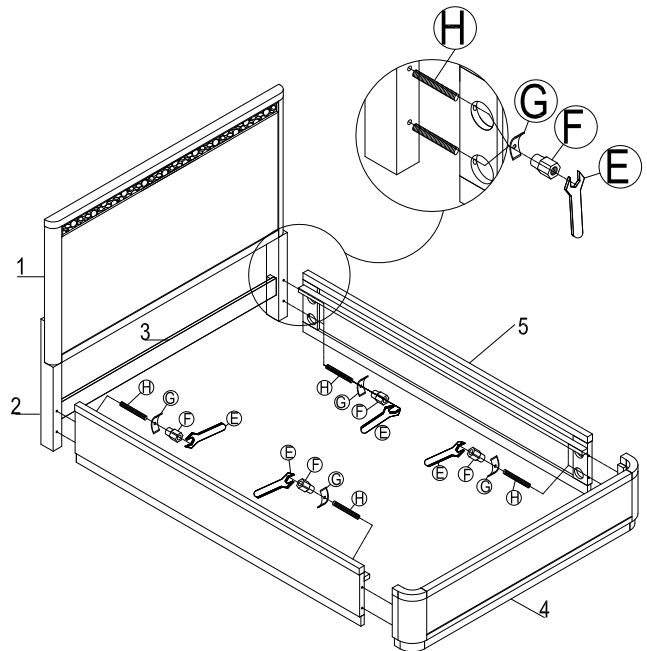
Attach the Stretcher (#3) to the Legs (#2). Secure by using Bolt (#B) with Lock Washer (#C) and Flat washer (#D) Allen wrench (#A).



ASSEMBLY INSTRUCTIONS

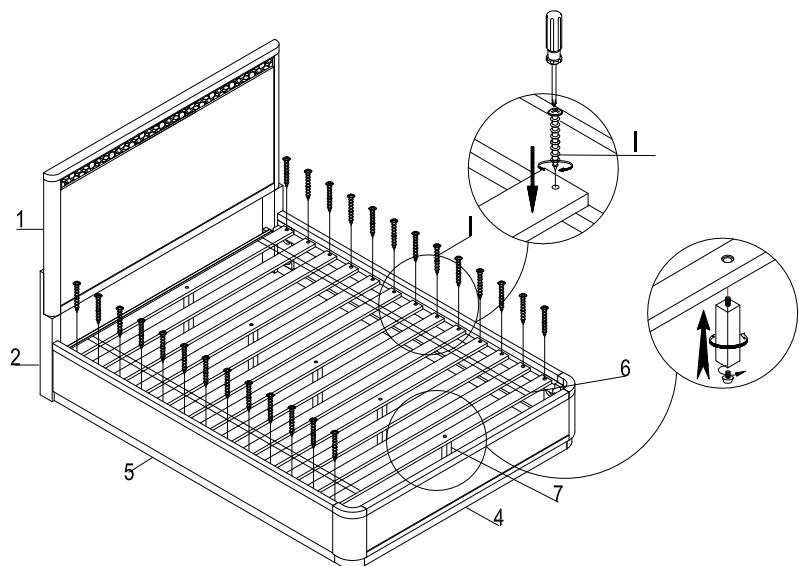
- 3 .Headboard x 1pc
Footboard x 1pc
Part # 5 x 2pcs
Hardware # E x 1pc
Hardware # F x 8pcs
Hardware # G x 8pcs
Hardware # H x 8pcs

Screw the Bolt (H) into HB & FB.
Align the bolts with the holes in the
end of side rails and attach the side
rails to HB & FB using
half moon washers (G) and nuts
(F).Then use a hex wrench (E) to
tighten all the nuts.

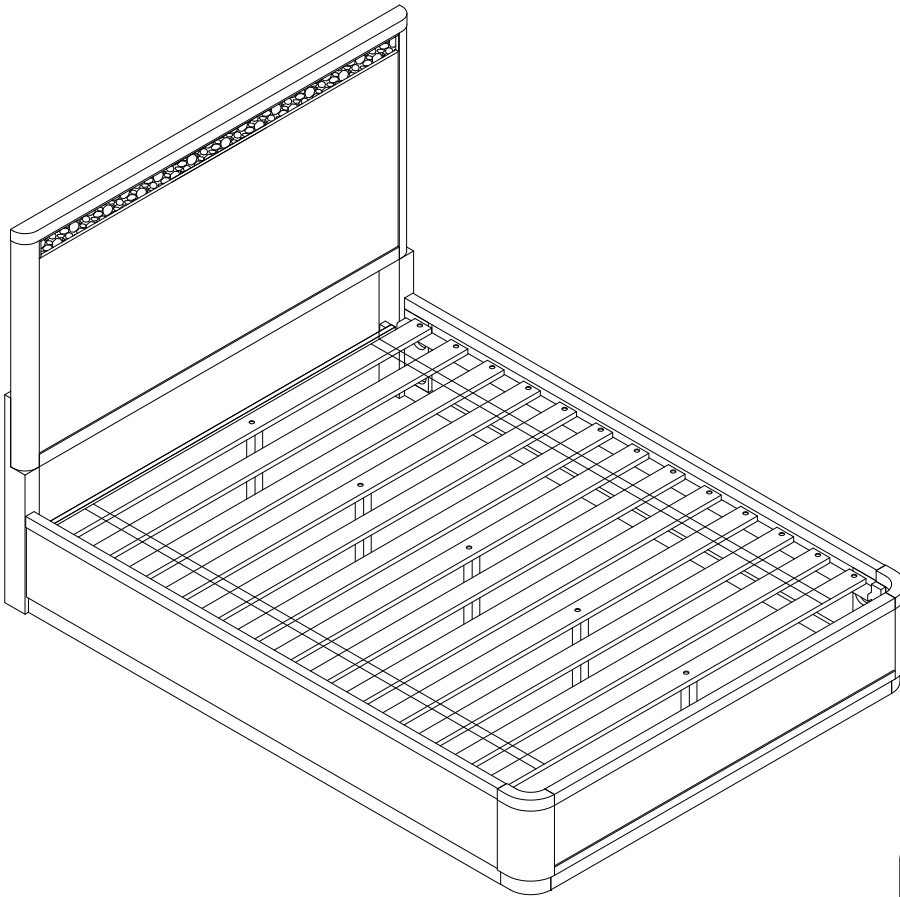


- 4 .Headboard x 1pc
Footboard x 1pc
Part # 5 x 2pcs
Part # 6 x 13pcs
Part #7 x 5pcs
Hardware # I x 26pcs

Attach Support Slat (#7) to the
Slat (#6) Rotating tightly and
attach Slats(#6) to the Side rails
(5) using wood screws (#I).



ASSEMBLY INSTRUCTIONS



ASSEMBLY COMPLETED



Please ensure the furniture rests on an even and flat surface. If the product wobbles or feels loose, double-check all bolts and/or screws are properly tightened and secured.



Keep this handy!

Please retain this instruction manual and any order-related information for future reference.



Lift, don't drag!

To avoid damage to product please always LIFT the product when transporting or adjusting the placement.