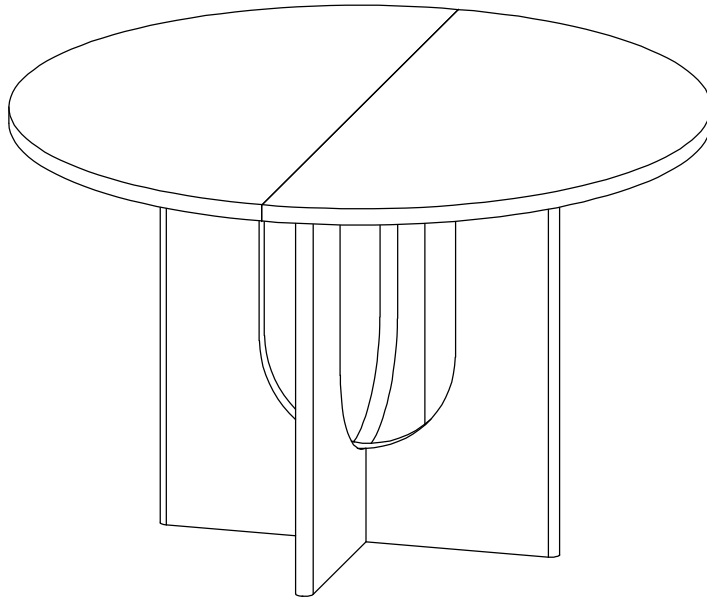
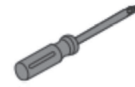


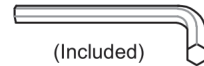
ASSEMBLY INSTRUCTIONS



TOOLS REQUIRED



Screwdriver
(Not included)



(Included)
Allen Wrench



2 - People

ASSEMBLY RATING



EASY —————> DIFFICULT

The Assembly Rating is a 5-point system showing the level of effort needed to assemble a specific product.



CHECK BEFORE STARTING

Are you missing anything?

Double-check all parts, hardware and accessories listed are all accounted for.

Check out our Quick Tips!

We recommend reviewing the pre-assembly handouts. Even experts need a refresher now and then!

Should we send any replacements?

Are there any irregularities or flaws in the parts? We can send replacements!

Prep Time!

Please review the assembly instructions and all diagrams prior to assembling.

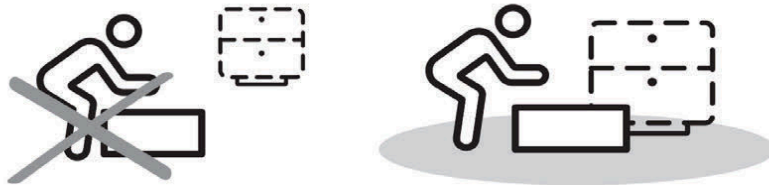
PRE ASSEMBLY INTRODUCTION

We understand building ready-to-assemble furniture can be a challenging experience for some. To help avoid confusion, we have provided some helpful tips that may speed up the process.



Teamwork

ALWAYS have at least two people to help with transporting and assembling the product to avoid potential injury and/or damage.



Suitable Location

Assembling near the area of the intended location is highly recommended.



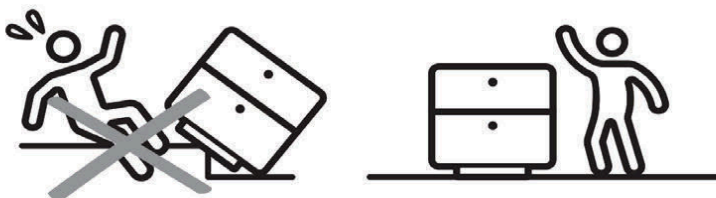
Sufficient Space

Make sure you have enough space to move around during the assembly.



Avoid Scratches

Use cardboard, blankets or a carpeted area while assembling furniture to prevent to prevent scratches and damages.



Flat Surface

Make sure the furniture rests on a flat and level surface with each leg evenly touching the floor.

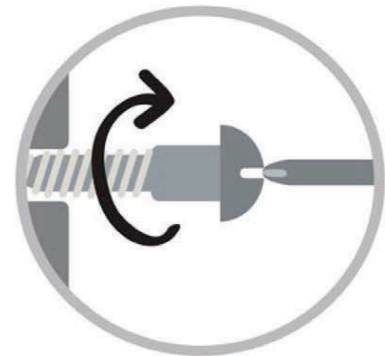
ASSEMBLY AND CARE ADVICE



FAILURE TO FOLLOW THE GUIDELINES BELOW MAY RESULT IN INJURY AND/OR PROPERTY DAMAGE.



Position each part correctly and insert screws or bolts into their respective holes.

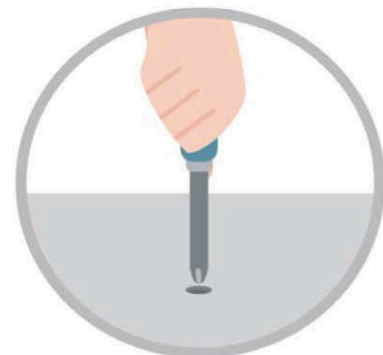


Turn clockwise to tighten and only tighten when step is completed or when instructed to do so.



Save the instructions and store any supplied tools for later maintenance.

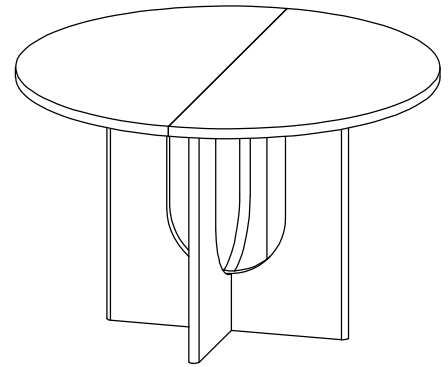
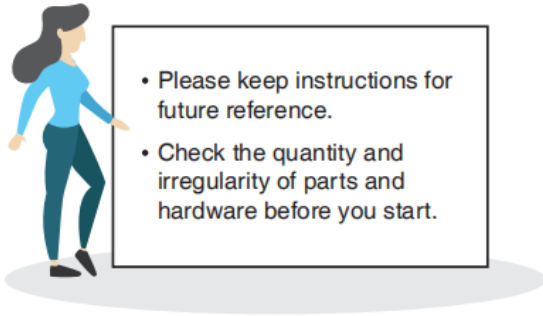
Use the appropriate hand tools or power tools for assembly. Select steps, such as tightening screws and/or bolts, may require hand tools to avoid causing damage during assembly.



After two weeks, check and tighten any loose hardware and repeat again every six months thereafter.

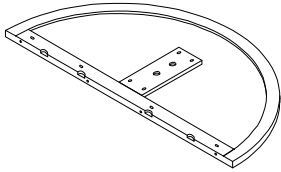
IT IS THE USER'S RESPONSIBILITY TO MAINTAIN THE FURNITURE. THE HARDWARE MAY LOOSEN OVER TIME AND MAY CAUSE THE FURNITURE TO BE WOBBLY AND UNABLE TO SUPPORT ITS INTENDED WEIGHT CAPACITY. THIS MAY LEAD TO COLLAPSE AND MAY CAUSE SERIOUS INJURY.

ROUND DINING TABLE



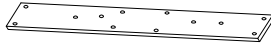
PARTS

1



TOP
2 pcs.

2



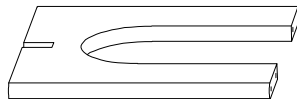
LONG CONNECTOR
1 pc.

3



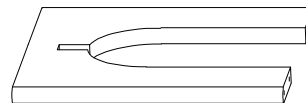
SHORT CONNECTOR
2 pcs.

4



LEG1
1 pc.

5



LEG2
1 pc.

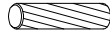
HARDWARE

A



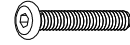
METAL BRACKET
4" x 4" x 1/8"
1 pc.

B



WOOD DOWEL
Ø10 x 30MM
4 pcs.

C



BOLT
1/4" x 1-1/4"
24 pcs.

D



BOLT
1/4" x 1-1/4"
4 pcs.

E



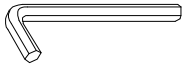
SPRING WASHER
Ø1/4"
24 pcs.

F



FLAT WASHER
Ø1/4"
24 pcs.

G



ALLEN WRENCH
M4
1 pc.

ASSEMBLY INSTRUCTIONS

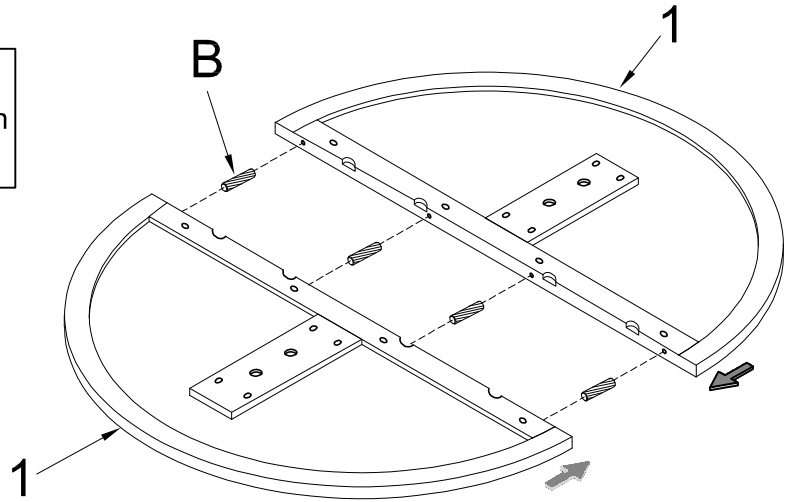
1

DO NOT FULLY TIGHTEN ALL BOLTS UNTIL ASSEMBLY IS COMPLETED.

Part 1 x 2pcs

Hardware B x 4pcs

Align Wood Dowels (B) into the designated holes on the two table tops (1).



2

Part 4 x 1pc

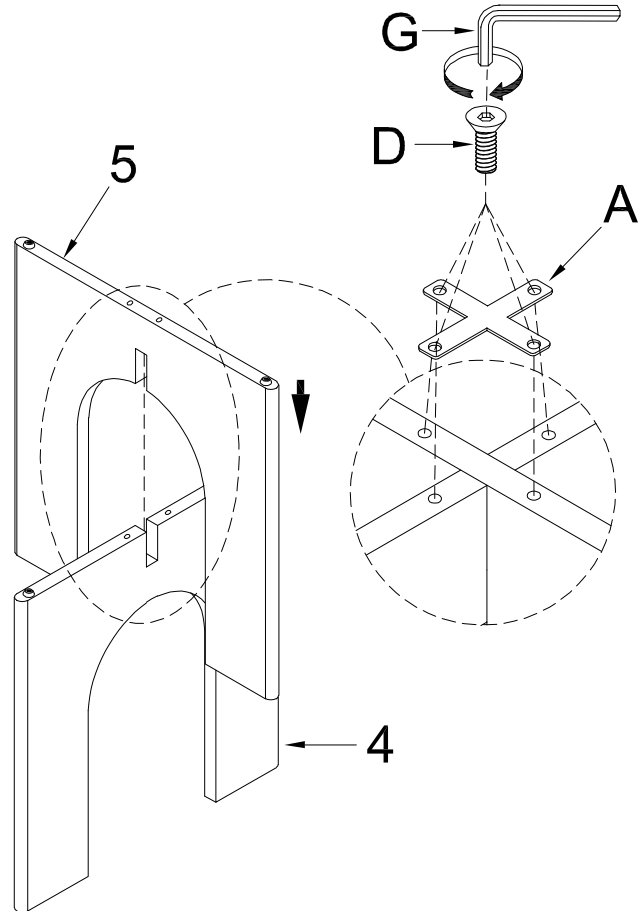
Part 5 x 1pc

Hardware A x 1pc

Hardware D x 4pcs

Hardware G x 1pc

Attach the Leg2 (5) into the Leg1 (4), then secure by metal bracket(A) and bolts(D).



ASSEMBLY INSTRUCTIONS

3

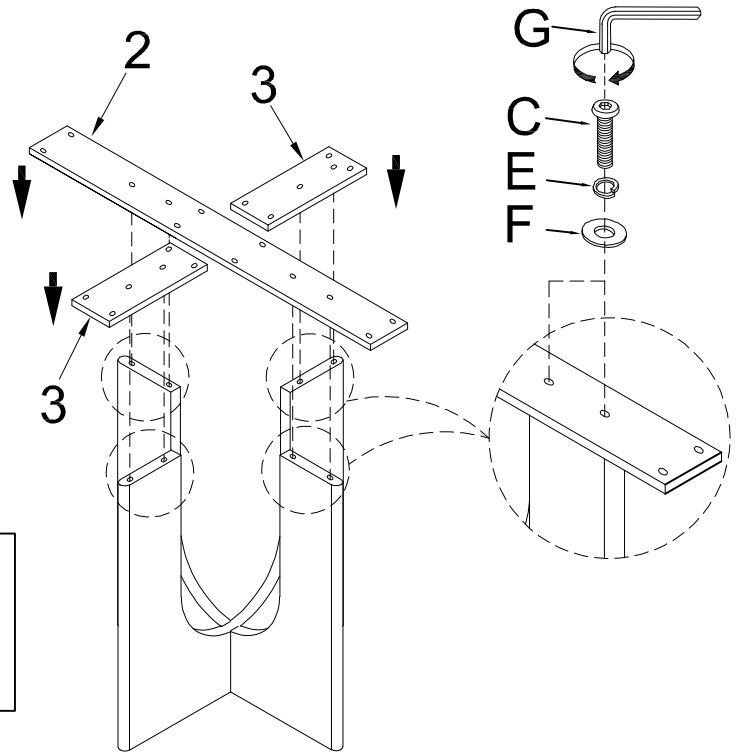
Part 2 x1pc

Part 3 x2pcs

Hardware C x 8pcs

Hardware E x 8pcs

Hardware F x 8pcs



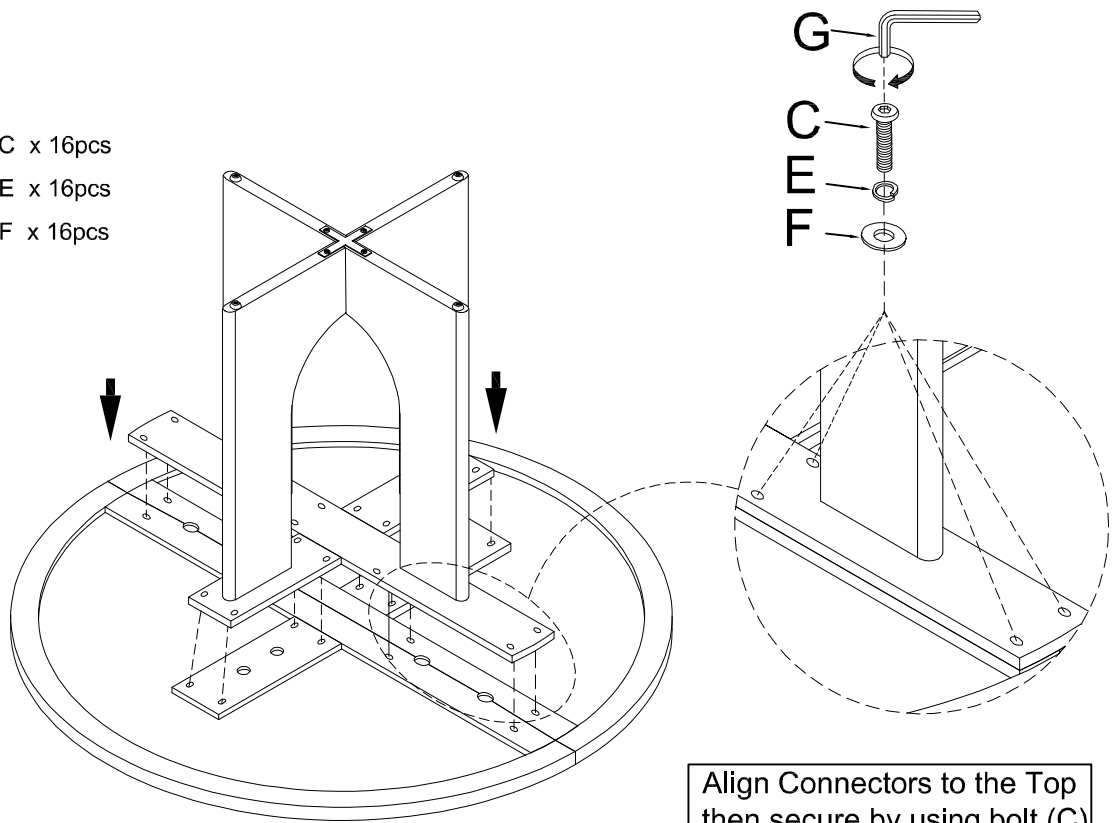
Align Long Connector (2) and Short Connector (3) to the Legs then secure by using bolt (C) with spring washer (E) and flat washer (F).

4

Hardware C x 16pcs

Hardware E x 16pcs

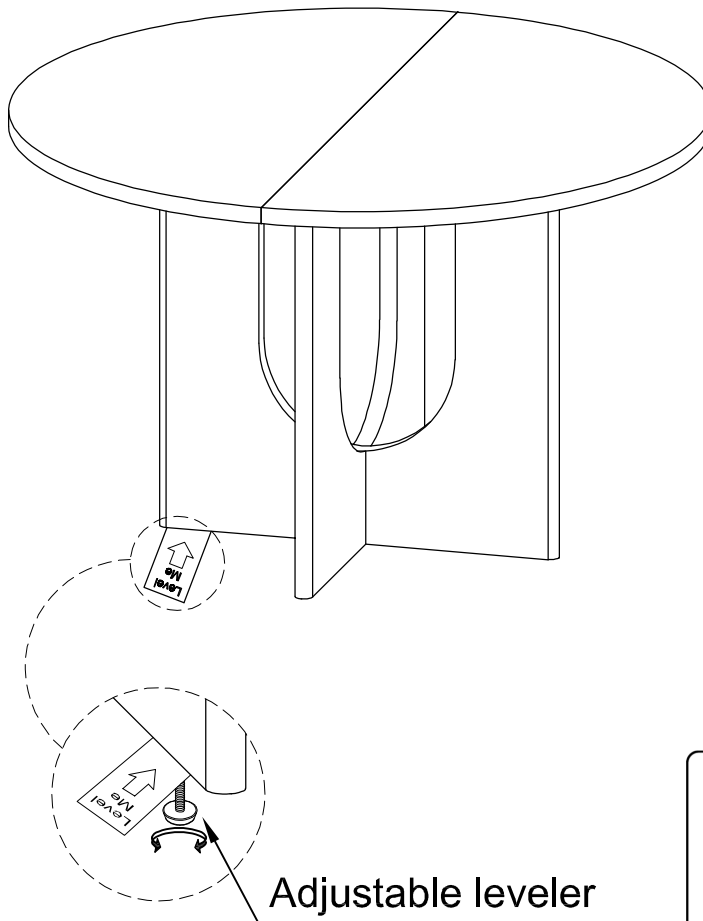
Hardware F x 16pcs



Align Connectors to the Top then secure by using bolt (C) with spring washer (E) and flat washer (F).

ASSEMBLY INSTRUCTIONS

5



ASSEMBLY COMPLETED



Please ensure the furniture rests on an even and flat surface. If the product wobbles or feels loose, double-check all bolts and/or screws are properly tightened and secured.

- ✓ **Keep this handy!**
Please retain this instruction manual and any order-related information for future reference.
- ✓ **Lift, don't drag!**
To avoid damage to product please always LIFT the product when transporting or adjusting the placement.

This product is intended for RESIDENTIAL USE ONLY and not for commercial use.