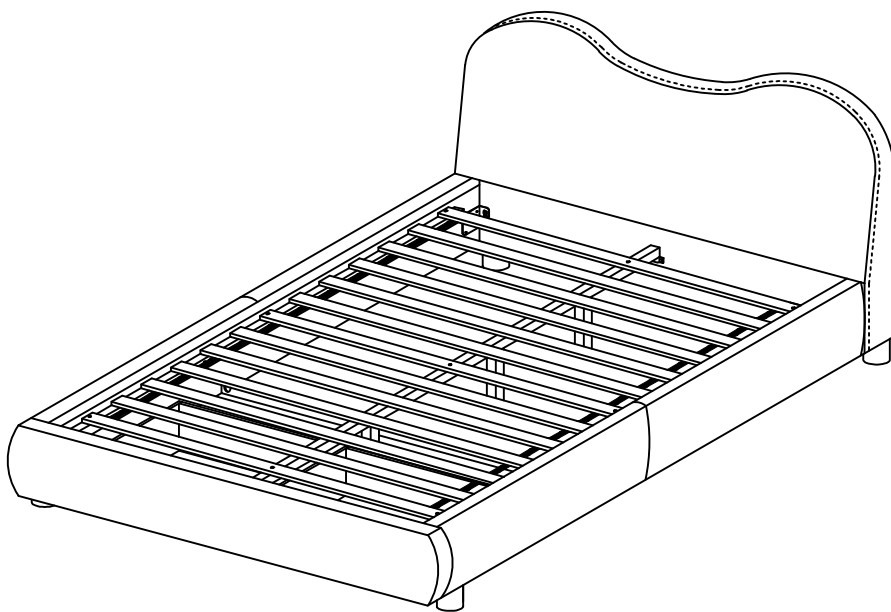
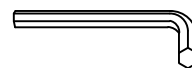


ASSEMBLY INSTRUCTIONS



TOOLS REQUIRED



Allen Wrench

(Included)



Phillips
Screwdriver

(Not Included)



2 - Persons
Recommended

ASSEMBLY RATING



EASY ————— DIFFICULT

The Assembly Rating is a 5-point system showing the level of effort needed to assemble a specific product.



CHECK BEFORE STARTING

Are you missing anything?

Double-check all parts, hardware and accessories listed on Page 6 are accounted for.

Check out our Quick Tips!

We recommend reviewing the pre-assembly handouts. Even experts need a refresher now and then!

Should we send any replacements?

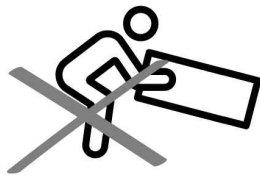
Are there any irregularities or flaws in the parts? We can send replacements!

Prep Time!

Please review the assembly instructions and all diagrams prior to assembling. Set up your workspace by laying the parts and hardware out separately, then begin!

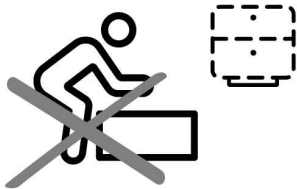
PRE ASSEMBLY INTRODUCTION

We understand building ready-to-assemble furniture can be a challenging experience for some. To help avoid confusion, we have provided some helpful tips that may speed up the process.



Teamwork

ALWAYS have at least two people to help with transporting and assembling the product to avoid potential injury and/or damage.



Suitable Location

Assembling near the area of the intended location is highly recommended.



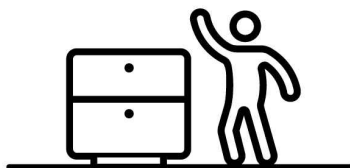
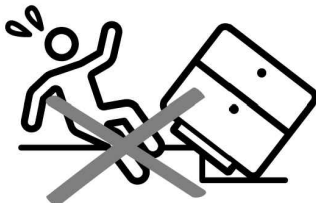
Sufficient Space

Make sure you have enough space to move around during the assembly.



Avoid Scratches

Use cardboard, blankets or a carpeted area while assembling furniture to prevent scratches.



Flat Surface

Make sure the furniture rests on a flat and level surface with each leg evenly touching the floor.

ASSEMBLY AND CARE ADVICE



FAILURE TO FOLLOW THE GUIDELINES BELOW MAY RESULT IN INJURY AND/OR PROPERTY DAMAGE.



Position each part correctly and insert screws or bolts into their respective holes.



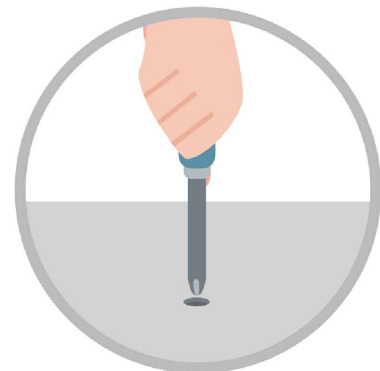
Turn clockwise to tighten and only tighten when step is completed or when instructed to do so.



Use the appropriate hand tools or power tools for assembly. Select steps, such as tightening screws and/or bolts, may require hand tools to avoid causing damage during assembly.



Save the instructions and store any supplied tools for later maintenance.



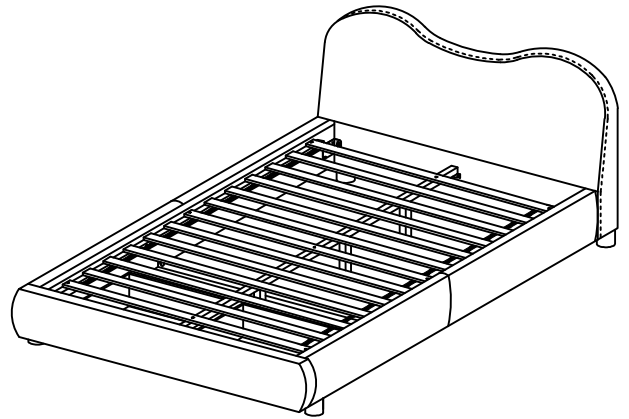
After two weeks, check and tighten any loose hardware and repeat again every six months thereafter.

IT IS THE USER'S RESPONSIBILITY TO MAINTAIN THE FURNITURE. THE HARDWARE MAY LOOSEN OVER TIME AND MAY CAUSE THE FURNITURE TO BE WOBBLY AND UNABLE TO SUPPORT ITS INTENDED WEIGHT CAPACITY. THIS MAY LEAD TO COLLAPSE AND MAY CAUSE SERIOUS INJURY.

QUEEN BED

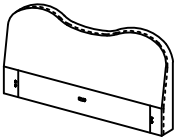


- Please keep instructions for future reference.
- Check the quantity and irregularity of parts and hardware before you start.



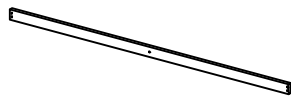
PARTS

#1 1pc



Headboard

#2 1pc



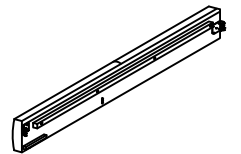
Footboard

#3 4pcs



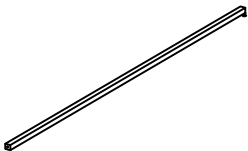
Bed Leg

#4 2pcs



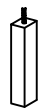
Side Rail

#5 1pc



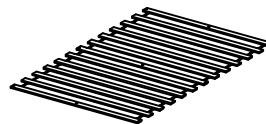
Center Rail

#6 3pcs



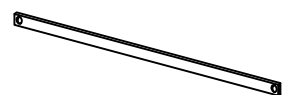
Center Support Leg

#7 1set



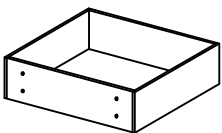
Slat

#8 1pc



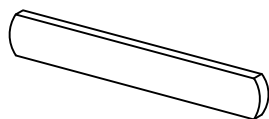
Center Support

#9 2pcs



Drawer

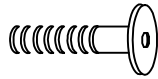
#10 1pc



Drawer Head

HARDWARE

#A 16pcs



Jcbc Bolt M6 x 20mm

#B 1pc



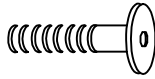
Jcbc Bolt M6 x 40mm

#C 2pcs



Jcbc Bolt M6 x 50mm

#D 4pcs



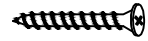
Jcbb Bolt M8 x 20mm

#E 8pcs



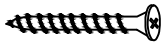
Jcbb Bolt M8 x 30mm

#F 1pc



Wood Screw M4 x20mm

#G 9pcs



Wood Screw M4 x38mm

#H 4pcs



Wood Dowel M8 x 30mm

#I 8pcs



M8 Flat Washer

#J 2pcs



M6 BEND WASHER 3013

#K 8pcs



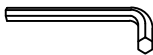
BLACK ROLLER WHEEL

#L 1pc



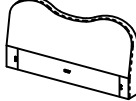

















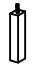
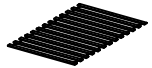
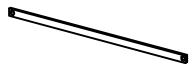
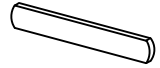
M4 Allen Wrench

#M 1pc



M5 Allen Wrench

POINT 3 CARTONS

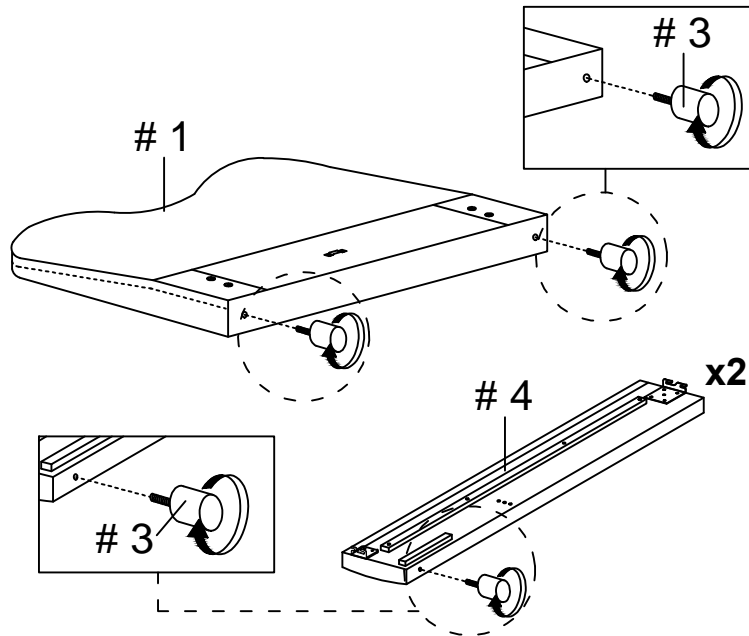
Carton	Designation		Part	
	Headboard (1pc)	#1		
	Footboard (1pc)	#2		<ul style="list-style-type: none">  #A 16pcs  #B 1pc  #C 2pcs  #D 4pcs  #E 8pcs  #F 1pc  #G 9pcs  #H 4pcs  #I 8pcs  #J 2pcs  #K 8pcs  #L 1pc  #M 1pc
	Bed Leg (4pcs)	#3		
	Side Rail Panel (2pcs)	#4		
	Center Rail (1pc)	#5		
	Center Support Leg (3pcs)	#6		
	Bed Slat (1set)	#7		
	Center Support (1pc)	#8		
	Drawer Head (1pc)	#10		
		Drawer (2pcs)	#9	

ASSEMBLY INSTRUCTIONS

1

- Part #1 x1pc
- Part #3 x4pcs
- Part #4 x2pcs

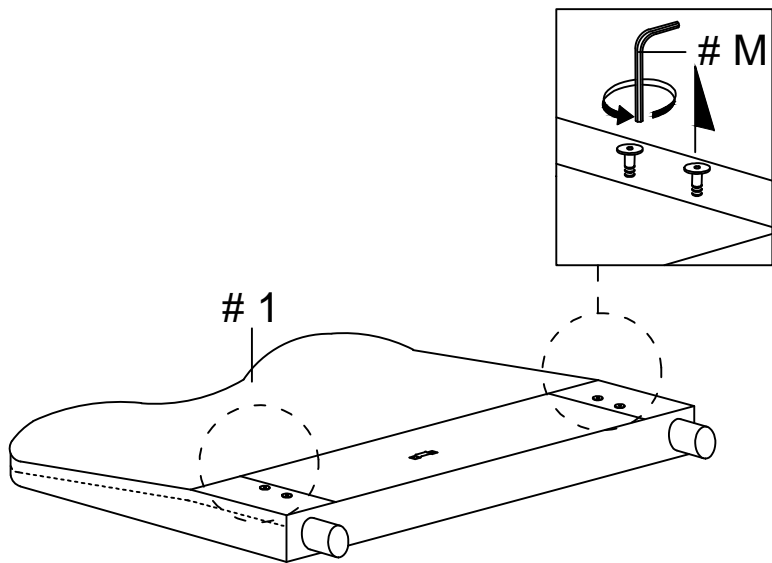
Attach the bed leg (#3) to the headboard (#1) and side rail (#4) as shown in the diagram.



2

- Part #1 x1pc
- Hardware #M x1pc

Loosen the pre-inserted bolt on the headboard using allen wrench(#M)

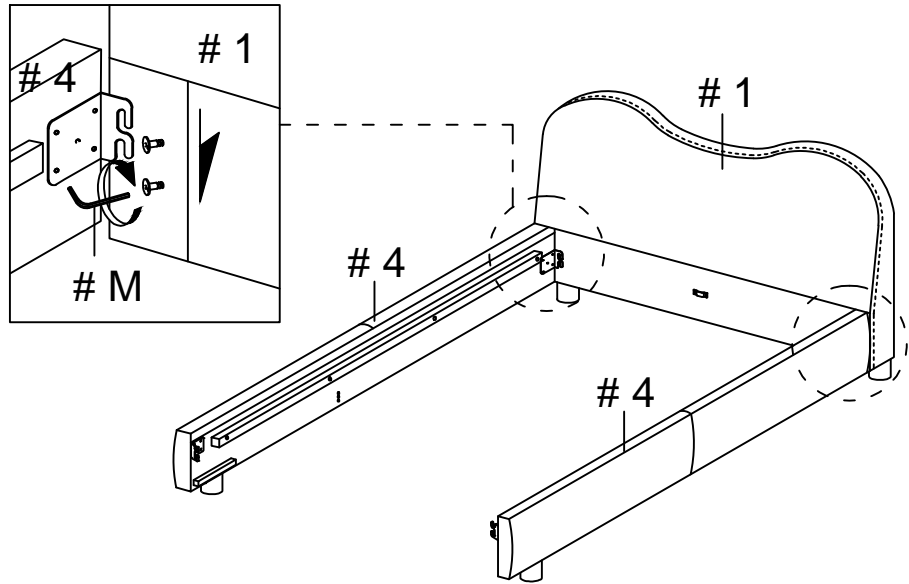


ASSEMBLY INSTRUCTIONS

3

Align the side rail (#4) to the headboard (#1). Secure using allen wrench (#M).

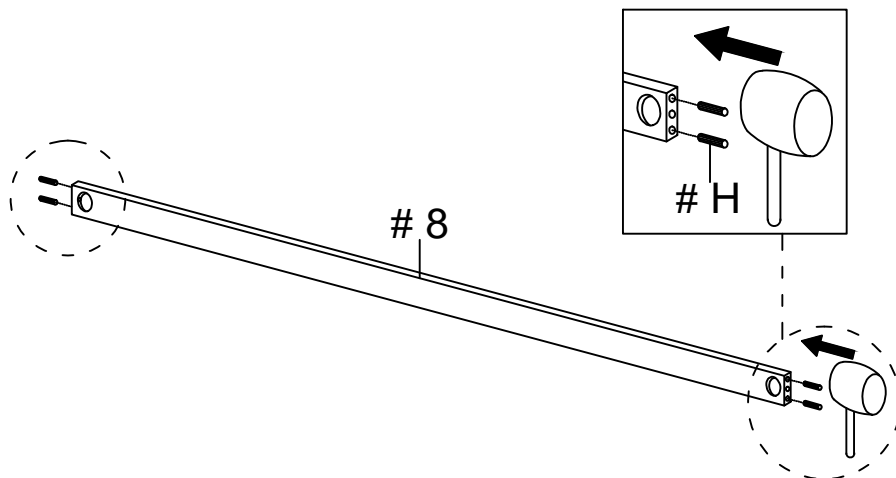
Part #1 x1pc
Part #4 x2pc
Hardware #M x1pc



4

I. Attach wood dowel (#H) to the center support (#8) as shown in the diagram.

Part #8 x1pc
Hardware #H x4pcs

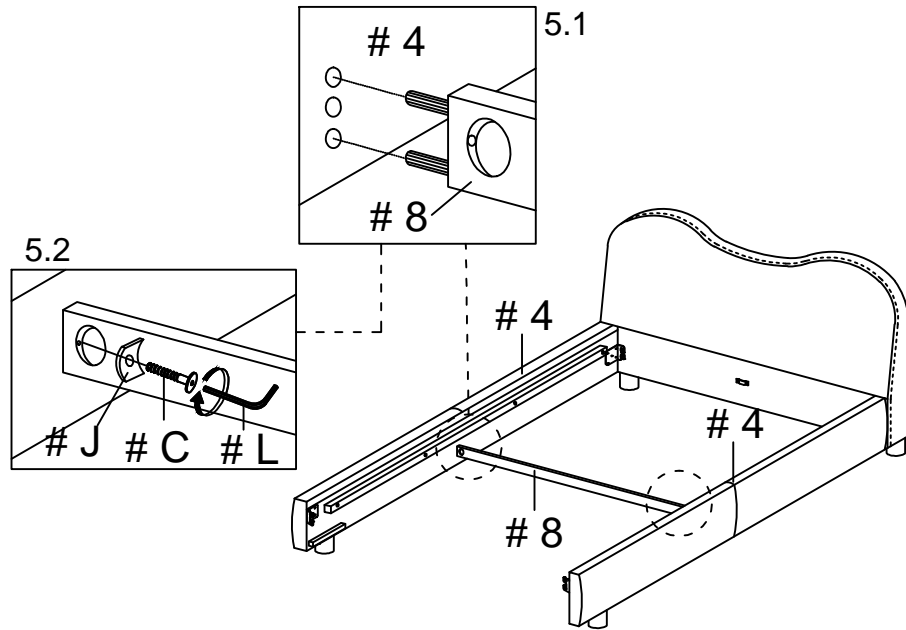


ASSEMBLY INSTRUCTIONS

5

- Part #4 x2pcs
- Part #8 x1pc
- Hardware #C x2pcs
- Hardware #J x2pcs
- Hardware #L x1pc

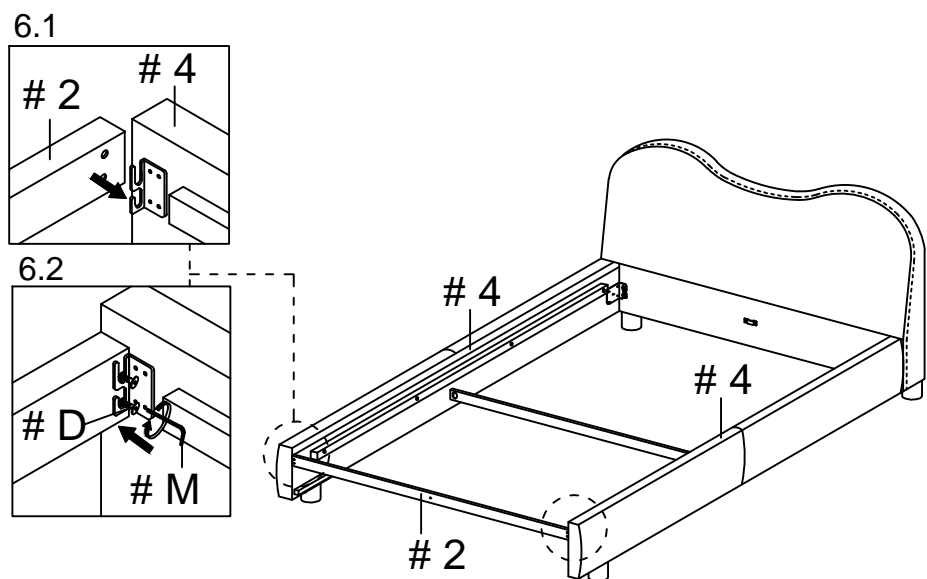
Attach the center support (#8) to the side rail (#4) by using Bolt assembly of bolt (#C) with bend washer (#J).



6

- Part #2 x1pc
- Part #4 x2pcs
- Hardware #D x4pcs
- Hardware #M x1pc

Attach the footboard (#2) to the side rail (#4) by using Bolt assembly of bolt (#D).



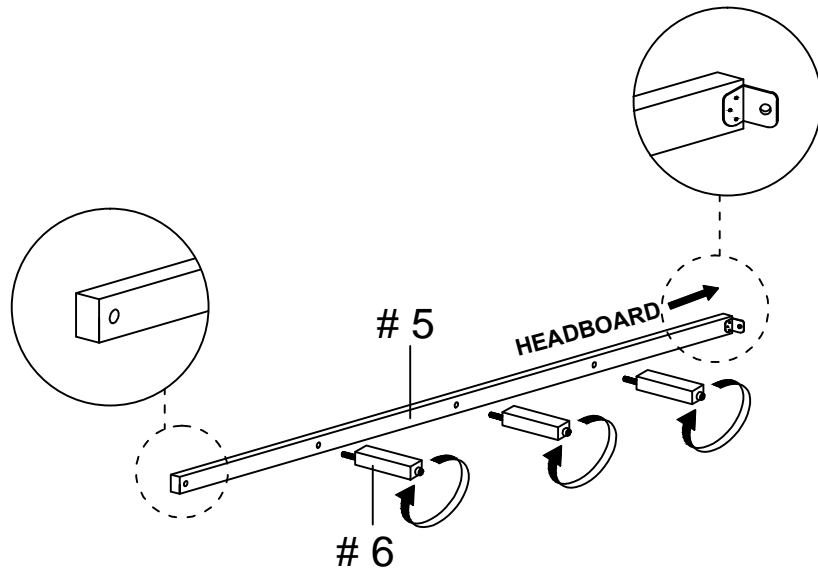
ASSEMBLY INSTRUCTIONS

7

Attach the support leg (#6) to the center rail (#5).

Part #5 x1pc

Part #6 x3pcs



8

Hook the center rail (#5) into the insert on the Headboard (#1) and the footboard (#2).

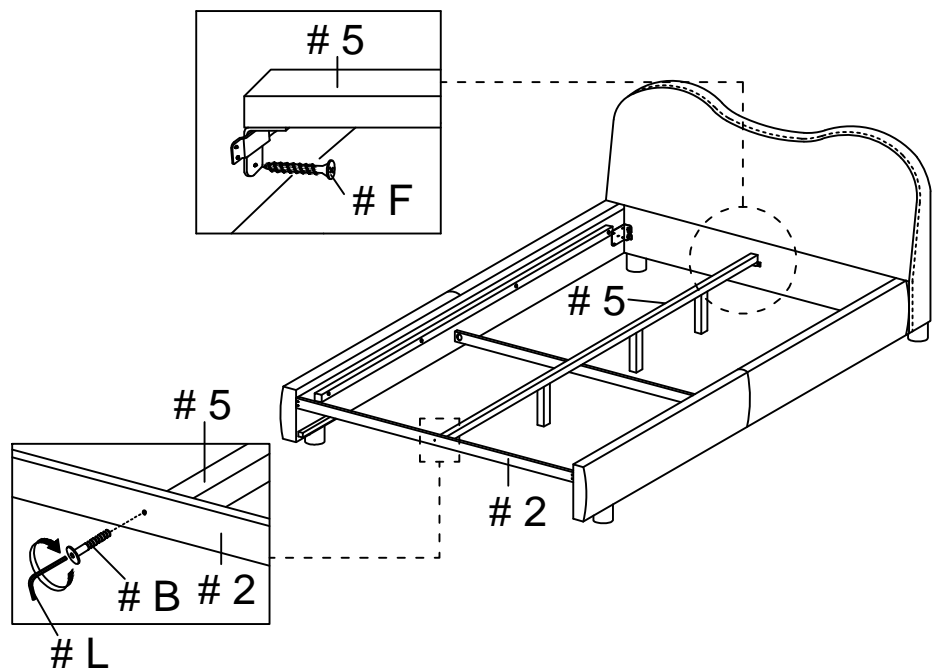
Part #2 x1pc

Part #5 x1pc

Hardware #B x1pc

Hardware #F x1pc

Hardware #L x1pc



ASSEMBLY INSTRUCTIONS

9

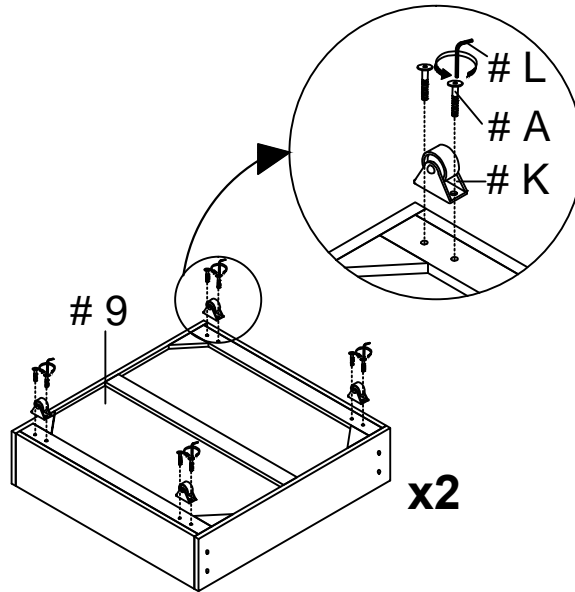
Attach the black roller wheel (#K) to the drawer (#9) by using Bolt assembly of bolt (#A).

Part #9 x 2pcs

Hardware #A x16pcs

Hardware #K x8pcs

Hardware #L x1pcs



10

Attach the drawer (#9) to the drawer head (#10) by using Bolt assembly of bolt (#E) and flat washer (#I).

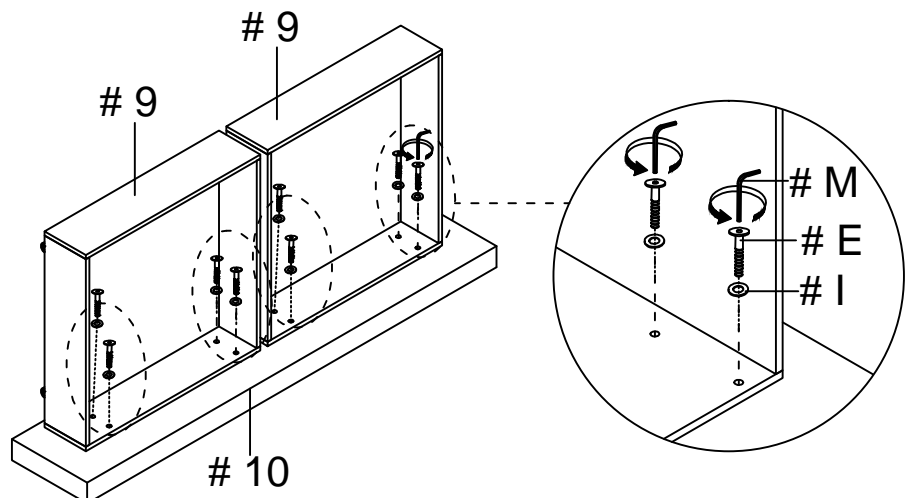
Part #9 x1pc

Part #10 x1pc

Hardware #E x8pcs

Hardware #I x8pcs

Hardware #M x1pc

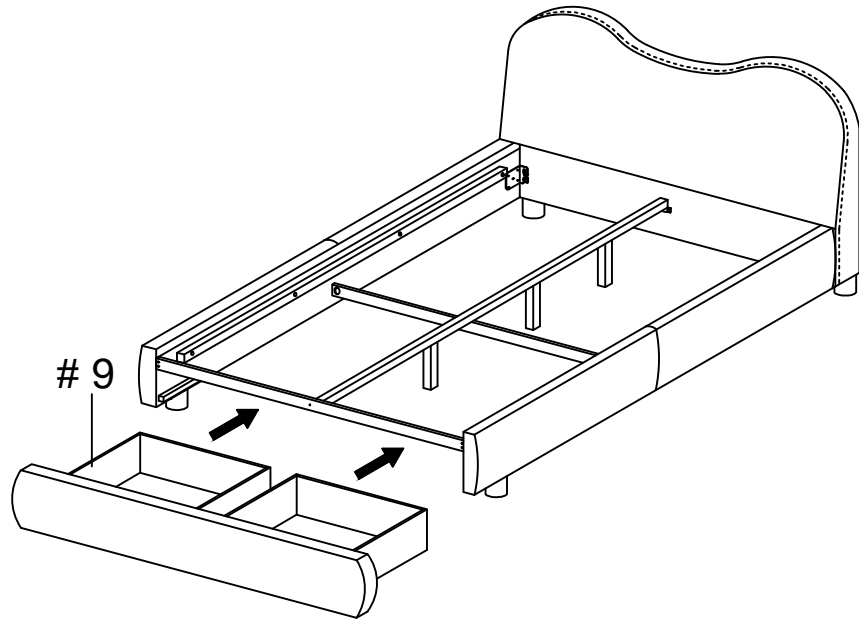


ASSEMBLY INSTRUCTIONS

11

Part #9 x2pcs

Insert the drawer (#9) to the bed.

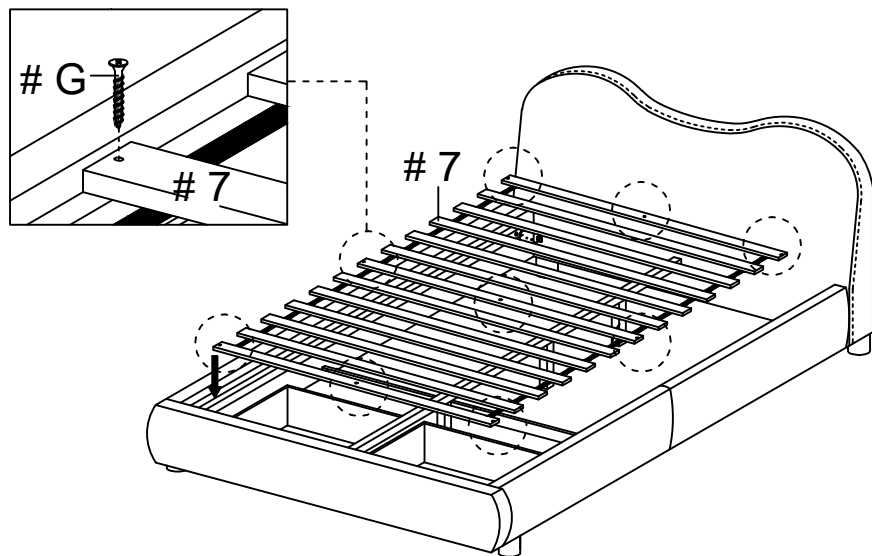


12

Part #7 x1set

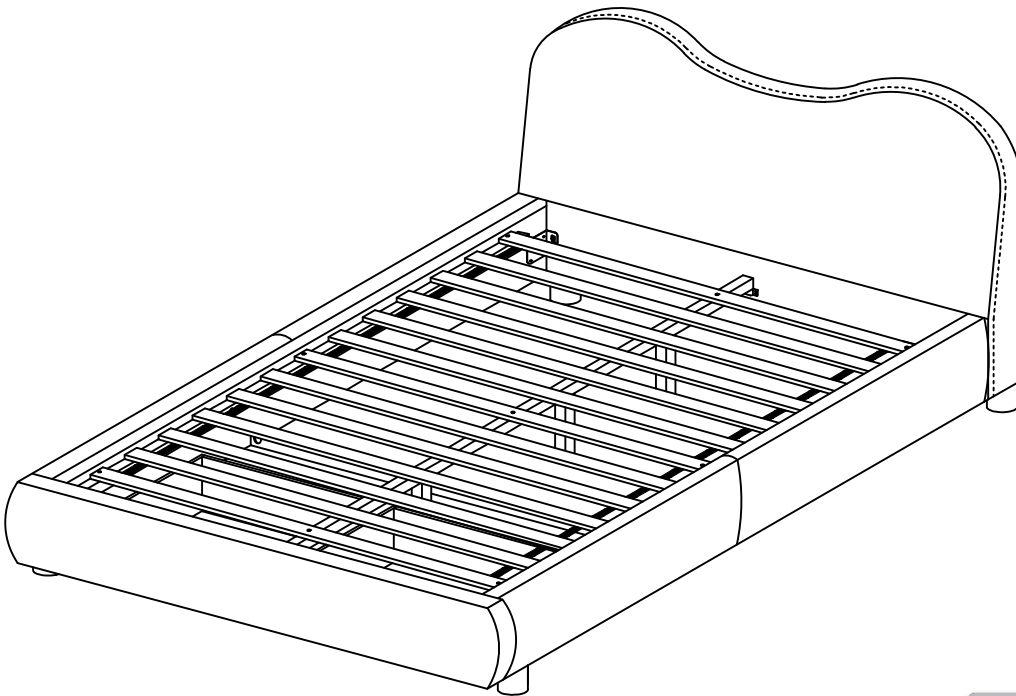
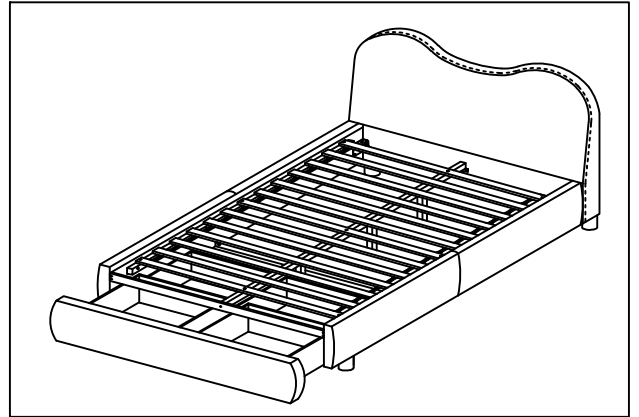
Hardware #G x9pcs

Spread slat set(#7) evenly over the rails (#4) and center rail (#5). Secure onto the side rails (#4) using Screw (#G).



ASSEMBLY INSTRUCTIONS

13



ASSEMBLY COMPLETED



Please ensure the furniture rests on an even and flat surface. If the product wobbles or feels loose, double-check all bolts and/or screws are properly tightened and secured.



Keep this handy!

Please retain this instruction manual and any order-related information for future reference.