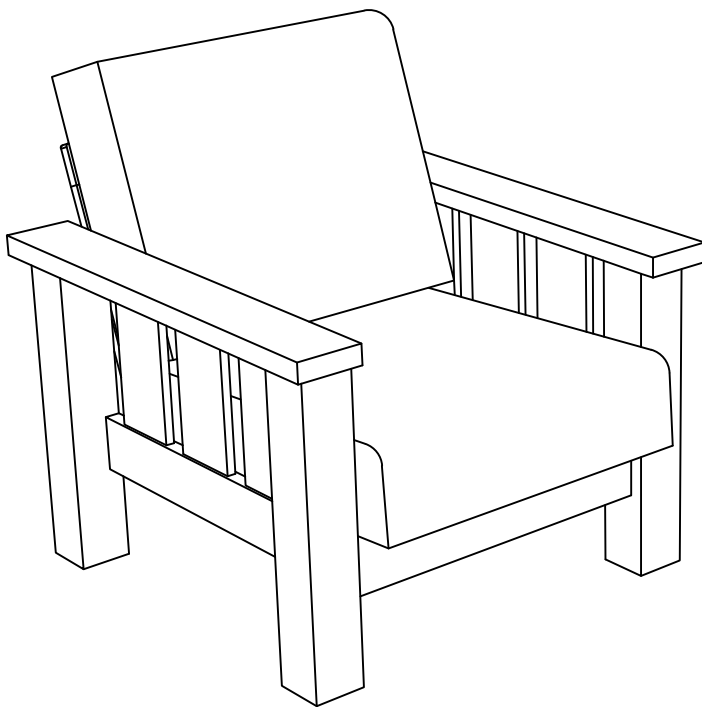


ASSEMBLY INSTRUCTIONS



TOOLS REQUIRED



Allen Wrench

(Included)



**Philips
Screwdriver**

(Not Included)



**2 - Persons
Recommended**

ASSEMBLY RATING



EASY —————> DIFFICULT

The Assembly Rating is a 5-point system showing the level of effort needed to assemble a specific product.



CHECK BEFORE STARTING

Are you missing anything?

Double-check all parts, hardware and accessories listed on Page 6 are accounted for.

Check out our Quick Tips!

We recommend reviewing the pre-assembly handouts. Even experts need a refresher now and then!

Should we send any replacements?

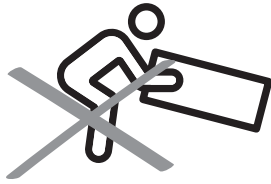
Are there any irregularities or flaws in the parts? We can send replacements!

Prep Time!

Please review the assembly instructions and all diagrams prior to assembling. Arrange parts as recommended on Page 7 and group identical hardware together to make assembling easier.

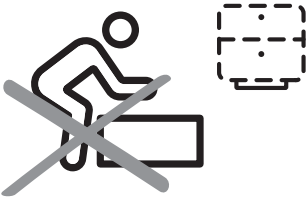
PRE ASSEMBLY INTRODUCTION

We understand building ready-to-assemble furniture can be a challenging experience for some. To help avoid confusion, we have provided some helpful tips that may speed up the process.



Teamwork

ALWAYS have at least two people to help with transporting and assembling the product to avoid potential injury and/or damage.



Suitable Location

Assembling near the area of the intended location is highly recommended.



Sufficient Space

Make sure you have enough space to move around during the assembly.



Avoid Scratches

Use cardboard, blankets or a carpeted area while assembling furniture to prevent scratches.



Flat Surface

Make sure the furniture rests on a flat and level surface with each leg evenly touching the floor.

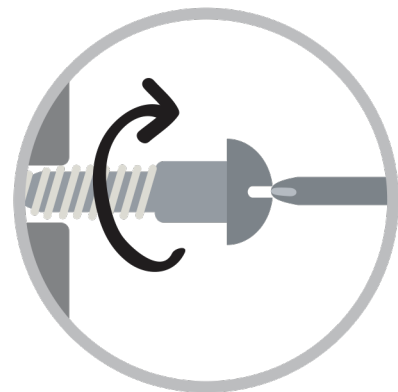
ASSEMBLY AND CARE ADVICE



FAILURE TO FOLLOW THE GUIDELINES BELOW MAY RESULT IN INJURY AND/OR PROPERTY DAMAGE.



Position each part correctly and insert screws or bolts into their respective holes.



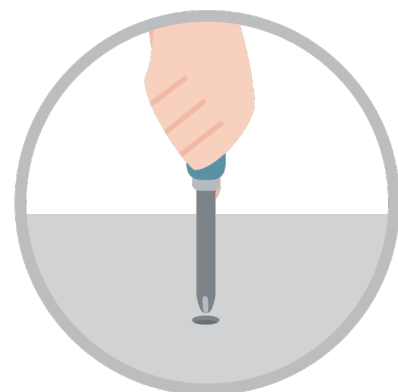
Turn clockwise to tighten and only tighten when step is completed or when instructed to do so.



Use the appropriate hand tools or power tools for assembly. Select steps, such as tightening screws and/or bolts, may require hand tools to avoid causing damage during assembly.



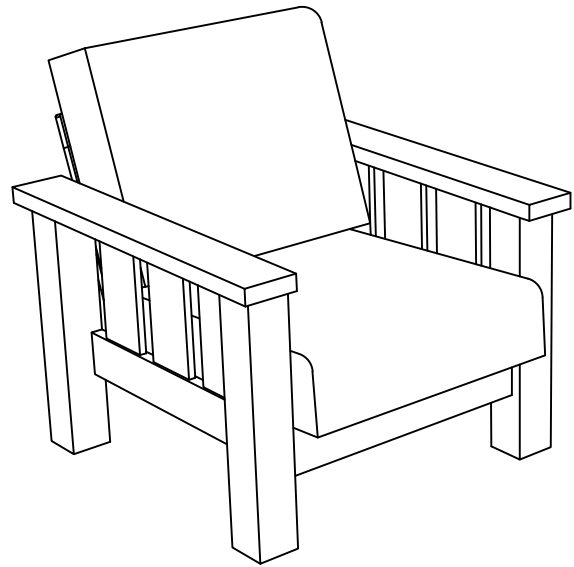
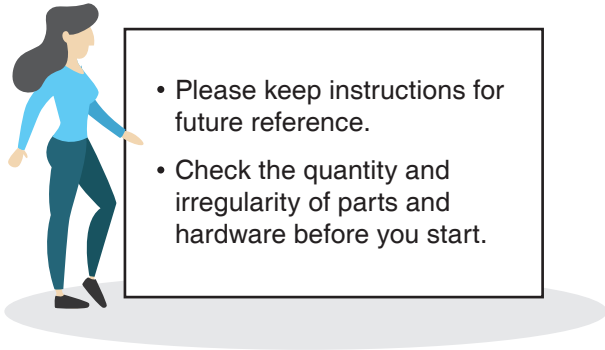
Save the instructions and store any supplied tools for later maintenance.



After two weeks, check and tighten any loose hardware and repeat again every six months thereafter.

IT IS THE USER'S RESPONSIBILITY TO MAINTAIN THE FURNITURE. THE HARDWARE MAY LOOSEN OVER TIME AND MAY CAUSE THE FURNITURE TO BE WOBBLY AND UNABLE TO SUPPORT ITS INTENDED WEIGHT CAPACITY. THIS MAY LEAD TO COLLAPSE AND MAY CAUSE SERIOUS INJURY.

CHAIR



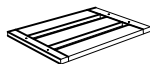
PARTS

#1 1pc



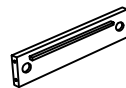
Back Rest

#2 1pc



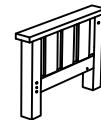
Seat Panel

#3 1pc



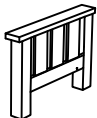
Front Rail Support

#4 1pc



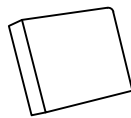
Arm Rest (Left)

#5 1pc



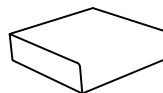
Arm Rest (Right)

#6 1pc



Back Cushion

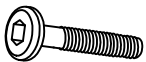
#7 1pc



Seat Cushion

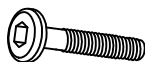
HARDWARE

#A 4pcs



Bolt 1/4" x 2-3/8"

#B 2pcs



Bolt 1/4" x 3-9/16"

#C 2pcs



Lock Washer M6

#D 6pcs



Flat Washer M6

#E 2pcs



Barrel Nut M6

#F 4pcs



Csk Screw M4x32mm

#G 6pcs



Wood Dowel 10x30mm

#H 1pc



Allen Wrench

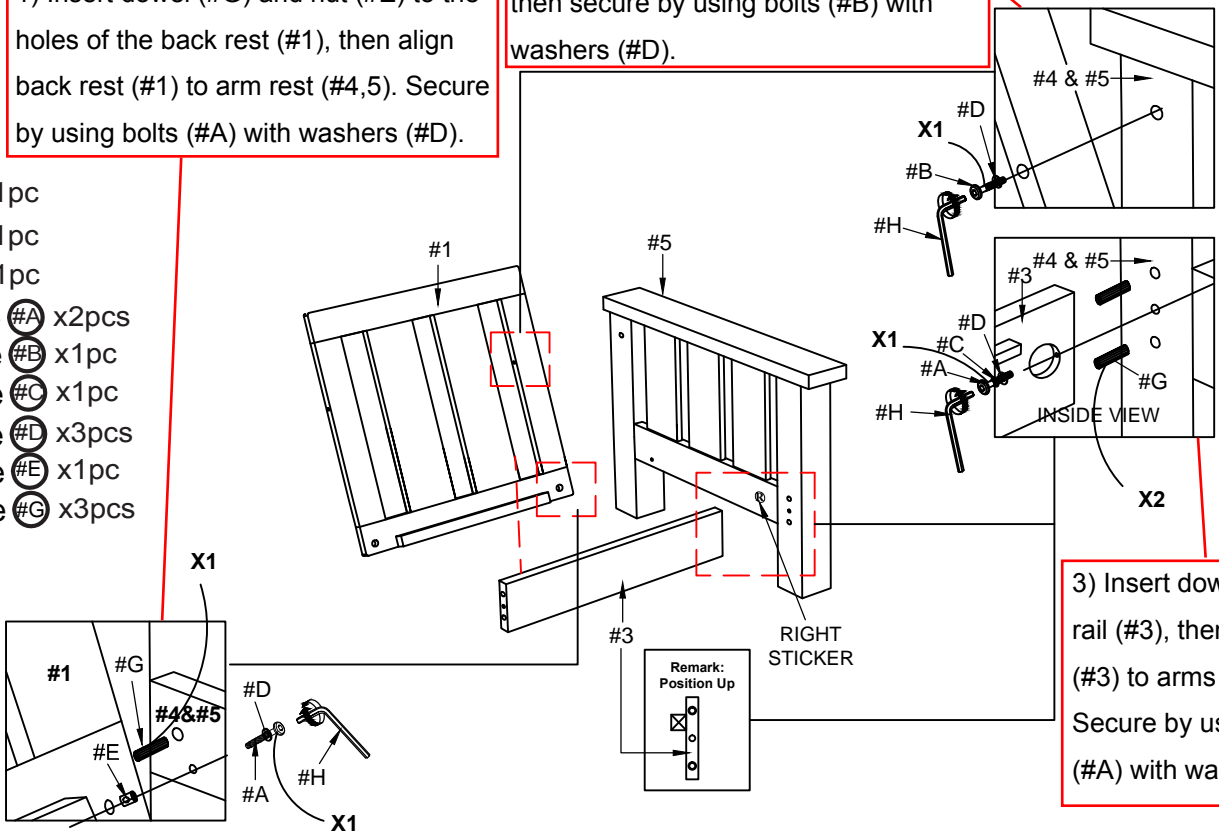
ASSEMBLY INSTRUCTIONS

1

1) Insert dowel (#G) and nut (#E) to the holes of the back rest (#1), then align back rest (#1) to arm rest (#4,5). Secure by using bolts (#A) with washers (#D).

2) Align back rest (#1) to arm rest (#4,5), then secure by using bolts (#B) with washers (#D).

- Part #1 x1pc
- Part #3 x1pc
- Part #5 x1pc
- Hardware #A x2pcs
- Hardware #B x1pc
- Hardware #C x1pc
- Hardware #D x3pcs
- Hardware #E x1pc
- Hardware #G x3pcs

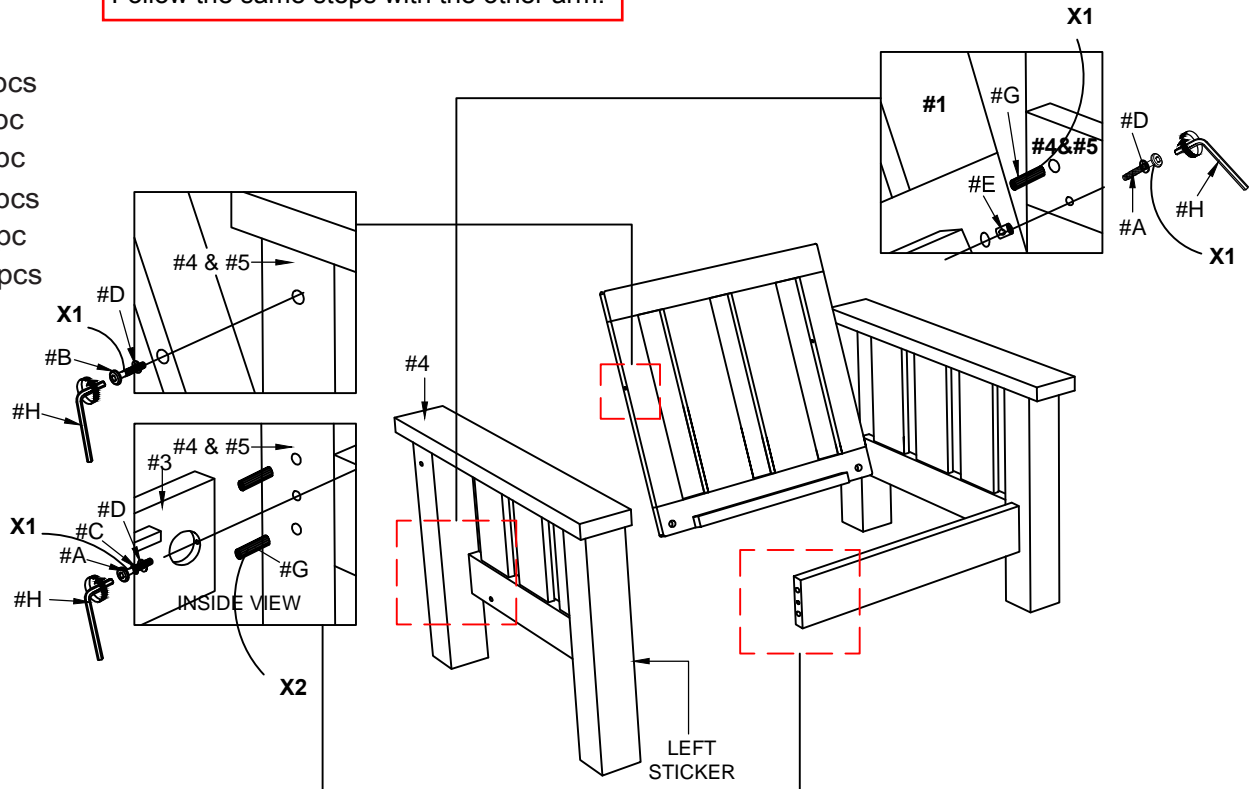


3) Insert dowels (#G) to rail (#3), then align rail (#3) to arms (#4,5). Secure by using bolts (#A) with washers (C,D).

2

Follow the same steps with the other arm!

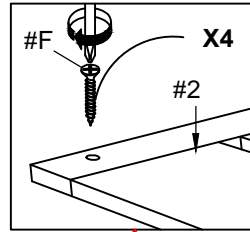
- Part #4 x1pc
- Hardware #A x2pcs
- Hardware #B x1pc
- Hardware #C x1pc
- Hardware #D x3pcs
- Hardware #E x1pc
- Hardware #G x3pcs



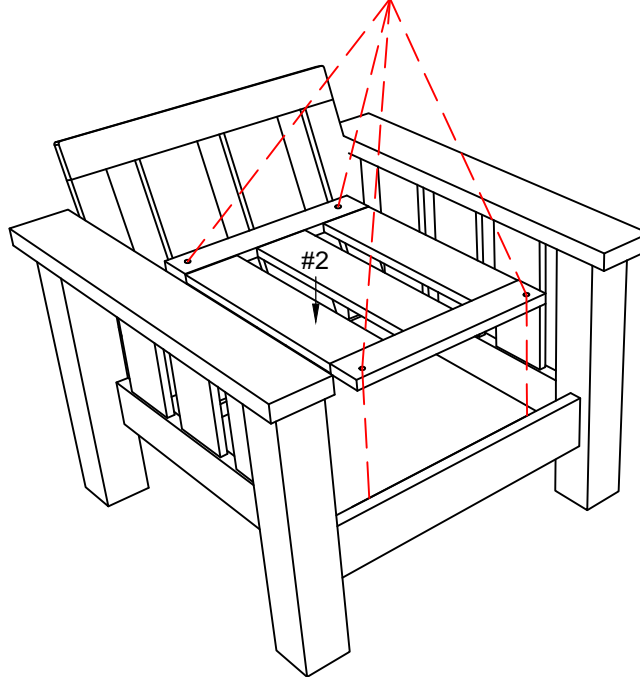
ASSEMBLY INSTRUCTIONS

3

Part #2 x1pc
Hardware #F x4pcs

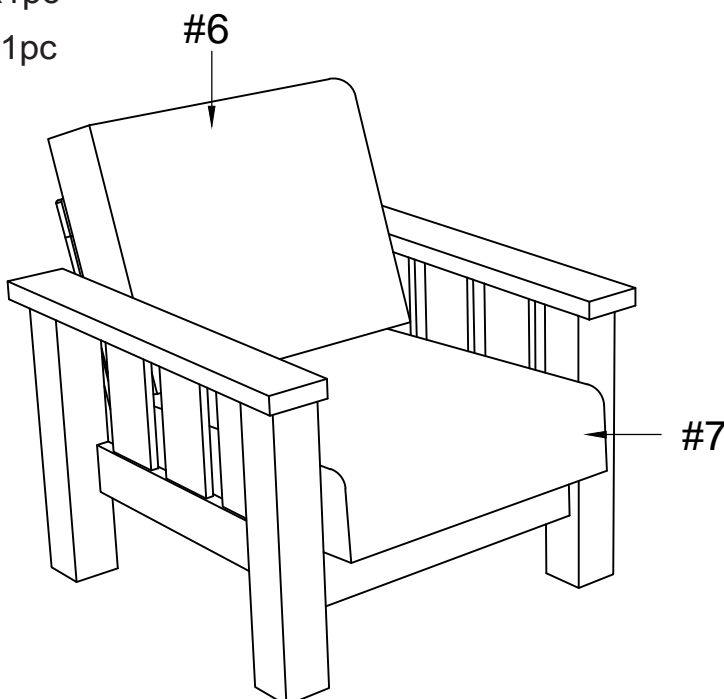


Align seat panel (#2) to frame, then secure by using screws (#F).



4

Part #6 x1pc
Part #7 x1pc



ASSEMBLY COMPLETED



Please ensure the furniture rests on an even and flat surface. If the product wobbles or feels loose, double-check all bolts and/or screws are properly tightened and secured.



Keep this handy!

Please retain this instruction manual and any order-related information for future reference.