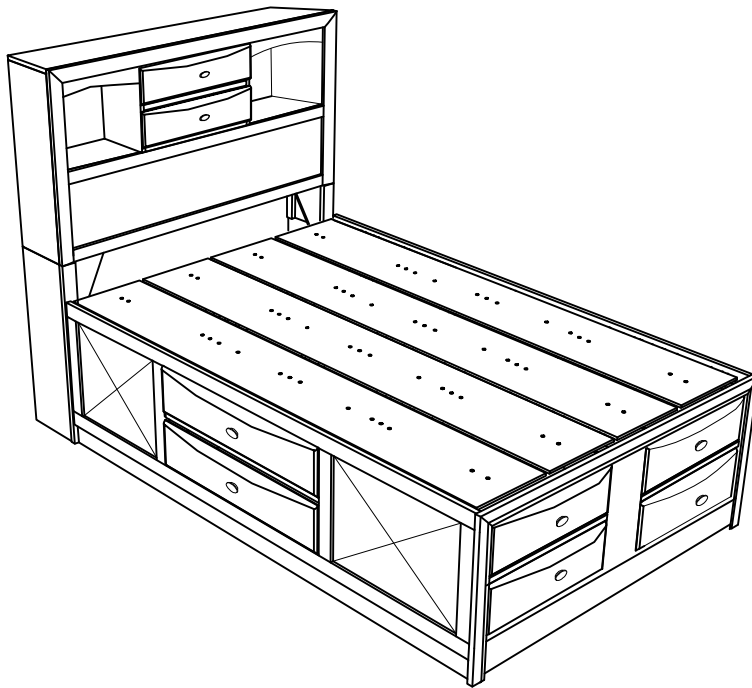


ASSEMBLY INSTRUCTIONS



TOOLS REQUIRED



Allen Wrench

(Included)



Phillips Screwdriver

(Not Included)



2 - Persons Recommended

ASSEMBLY RATING

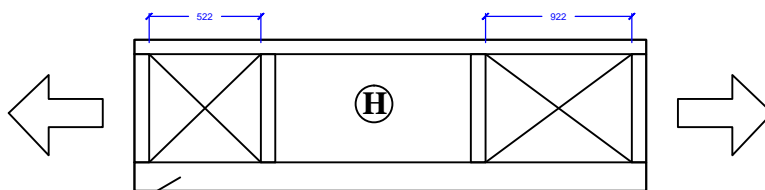


EASY ————— DIFFICULT

The Assembly Rating is a 5-point system showing the level of effort needed to assemble a specific product.

ATTACH TO HEADBOARD

ATTACH TO FOOTBOARD



STICKER (L & R)

VERSION # 24-04-03



CHECK BEFORE STARTING



Are you missing anything?

Double-check all parts, hardware and accessories listed on Page 6 are accounted for.



Check out our Quick Tips!

We recommend reviewing the pre-assembly handouts. Even experts need a refresher now and then!



Should we send any replacements?

Are there any irregularities or flaws in the parts? We can send replacements!



Prep Time!

Please review the assembly instructions and all diagrams prior to assembling. Set up your workspace by laying the parts and hardware out separately, then begin!

PRE ASSEMBLY INTRODUCTION

We understand building ready-to-assemble furniture can be a challenging experience for some. To help avoid confusion, we have provided some helpful tips that may speed up the process.



Teamwork

ALWAYS have at least two people to help with transporting and assembling the product to avoid potential injury and/or damage.



Suitable Location

Assembling near the area of the intended location is highly recommended.



Sufficient Space

Make sure you have enough space to move around during the assembly.



Avoid Scratches

Use cardboard, blankets or a carpeted area while assembling furniture to prevent scratches.



Flat Surface

Make sure the furniture rests on a flat and level surface with each leg evenly touching the floor.

ASSEMBLY AND CARE ADVICE



FAILURE TO FOLLOW THE GUIDELINES BELOW MAY RESULT IN INJURY AND/OR PROPERTY DAMAGE.



Position each part correctly and insert screws or bolts into their respective holes.



Turn clockwise to tighten and only tighten when step is completed or when instructed to do so.



Use the appropriate hand tools or power tools for assembly. Select steps, such as tightening screws and/or bolts, may require hand tools to avoid causing damage during assembly.



Save the instructions and store any supplied tools for later maintenance.



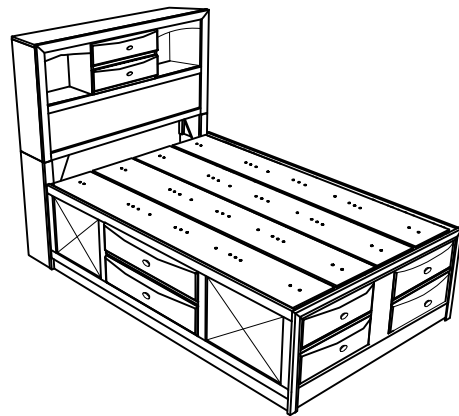
After two weeks, check and tighten any loose hardware and repeat again every six months thereafter.

IT IS THE USER'S RESPONSIBILITY TO MAINTAIN THE FURNITURE. THE HARDWARE MAY LOOSEN OVER TIME AND MAY CAUSE THE FURNITURE TO BE WOBBLY AND UNABLE TO SUPPORT ITS INTENDED WEIGHT CAPACITY. THIS MAY LEAD TO COLLAPSE AND MAY CAUSE SERIOUS INJURY.

FULL SIZE BED



• Please keep instructions for future reference.
 • Check the quantity and irregularity of parts and hardware before you start.



PARTS

① 1pc



Headboard

② 1pc



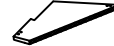
Footboard

③ 2pcs



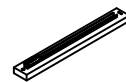
Headboard Leg (L/R)

④ 2pcs



Triangle Support Panel

⑤ 4pcs



FB T-runner support

⑥ 1pc



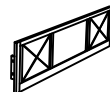
Bed Slat Support-1
-95 x 30 x 30mm

⑦ 1pc



Bed Slat Support-2
-107 x 30 x 30mm

⑧ 2pcs



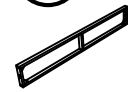
Side Rail

⑨ 3pcs



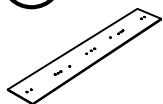
Bed Slat
-1387 x 45 x 18mm

⑩ 1pc



FB Drawer Frame

⑪ 4pcs



Concealed Panel

⑫ 1pc



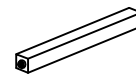
Headboard Back Support-1
-1403 x 30 x 19

⑬ 1pc



Drawer Support Rail
-1387 x 30 x 30

⑭ 5pcs



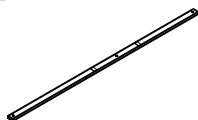
Bed Slat Support-3
-518 x 30 x 30

⑮ 1pc



Headboard Back Support-2
-1403 x 45 x 19

⑯ 3pcs



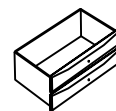
Bed Slat With Marking
-1387 x 45 x 18

⑰ 4pcs



Footboard Drawer

⑱ 2pcs

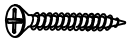


Side Rail Drawer

HARDWARE

HARDWARE INSIDE HEADBOARD

(A) 8pcs



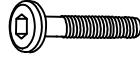
CSK m4 x 32mm

(B) 8pcs



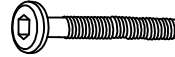
Pan Head Screw
m3.5 x 20mm

(C) 4pcs



Bolt 1/4" x 1-3/8"

(D) 2pcs



Bolt 1/4" x 2"

(E) 6pcs



Lock Washer

(F) 6pcs



Flat washer

(G) 1pc



Allen Key M4x110

HARDWARE INSIDE SIDE RAIL

(H) 16pcs



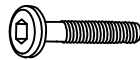
CSK m4 x 32mm

(I) 22pcs



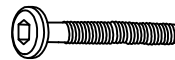
Pan Head Screw
m3.5 x 20mm

(J) 15pcs



Bolt 1/4" x 1-3/8"

(K) 6pcs



Bolt 1/4" x 2"

(L) 15pcs



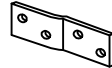
Lock Washer

(M) 15pcs



Flat washer

(N) 1pc



Z-Bracket

(O) 1pc



Allen Key M4x110

HARDWARE INSIDE UNDERBED DRAWER

(P) 8pcs



Handle

(Q) 4pcs



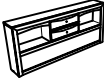
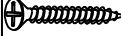
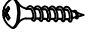







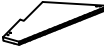



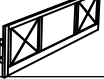
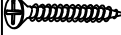
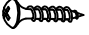




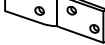

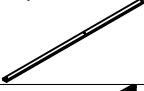

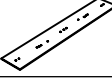


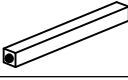







Truss Head Screw
M4 x 48mm

(R) 4pcs



Truss Head Screw
M4 x 50mm

FM7210-F is packed in 3 cartons

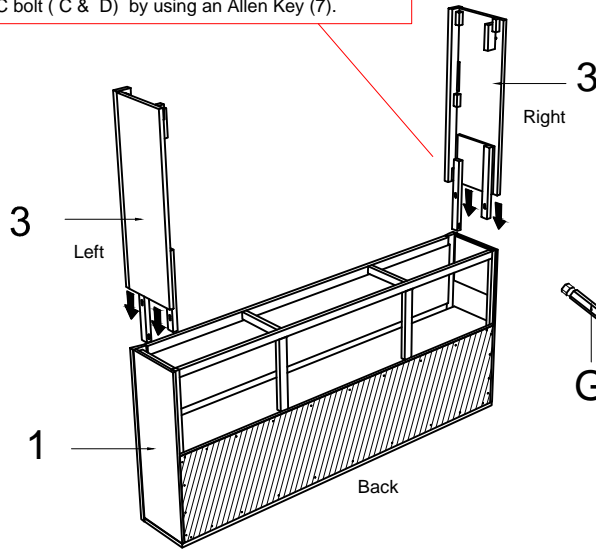
Carton	Designation	Part		Hardware
	Full Size Bed HB, FB HB Legs, Triangle Support Panel, Fb T Runner Support, Bed Slat Support,	1	 X 1	 A x 8pcs  B x 8pcs  C x 4pcs  D x 2pcs  E x 6pcs  F x 6pcs  G x 1pc
		2	 X 1	
		3	 X 2	
		4	 X 2	
		5	 X 4	
		6	 X 1	
		7	 X 1	
	Full Side Rail, Bed Slat, Fb Drawer Frame, Concealed Panel, Headboard Back Support, Drawer Support Rail, Bed Slat.	8	 X 2	 H x 16pcs  I x 22pcs  J x 15pcs  K x 6pcs  L x 15pcs  M x 15pcs  N x 1pc  O x 1pc
		9	 X 3	
		10	 X 1	
		11	 X 4	
		12	 X 1	
		13	 X 1	
		14	 X 5	
		15	 X 1	
		16	 X 2	
	Full Side Rail Drawer, Footboard drawer	17	 X 4	 #P x 8pcs  #Q x 4pcs  #R x 4pcs
		18	 X 2	

ASSEMBLY INSTRUCTIONS

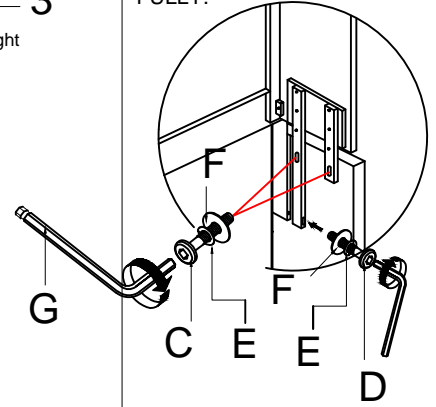
Attach and tighten the Headboard Leg L/R (3) to the Headboard (1).
Insert Spring washer (E) , Flat Washer (F) , tighten JCBC bolt (C & D) by using an Allen Key (7).

1

- Part ① x1pc
- Part ③ x2pcs
- Hardware ④ x4pcs
- Hardware ⑤ x2pcs
- Hardware ⑥ x6pcs
- Hardware ⑦ x6pcs



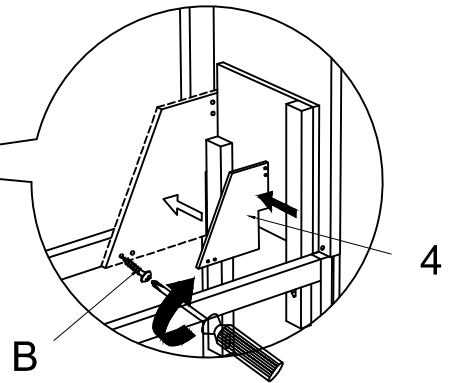
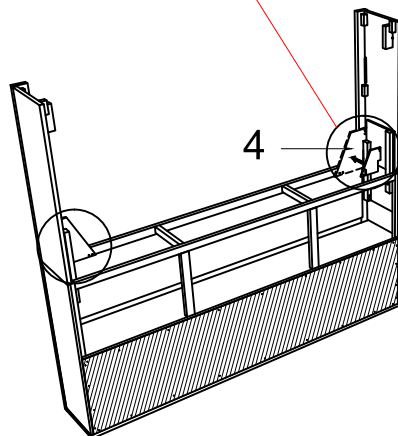
WARNING!
INSTALL THE BOLTS BY FOLLOWING THE ARROWS SHOWN. AFTER ALL BOLTS BEEN INSTALLED INSIDE THE HOLE PLEASE TIGHTEN THEM FULLY.



Attach and tighten the triangle Support Panel (4) to the Headboard and tighten the Panhead screw (B) using screw driver . (Not included)

2

- Part ④ x2pcs
- Hardware ⑧ x8pcs

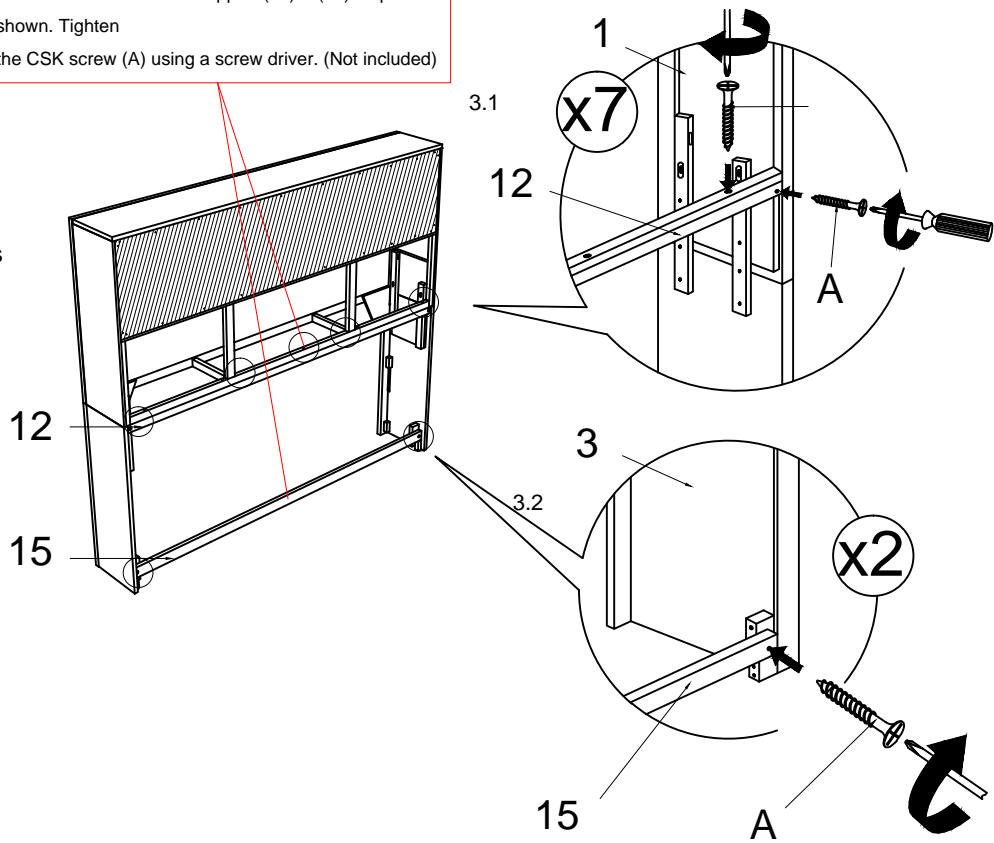


ASSEMBLY INSTRUCTIONS

Attach Headboard Back Support (12) & (15) as picture shown. Tighten the CSK screw (A) using a screw driver. (Not included)

3

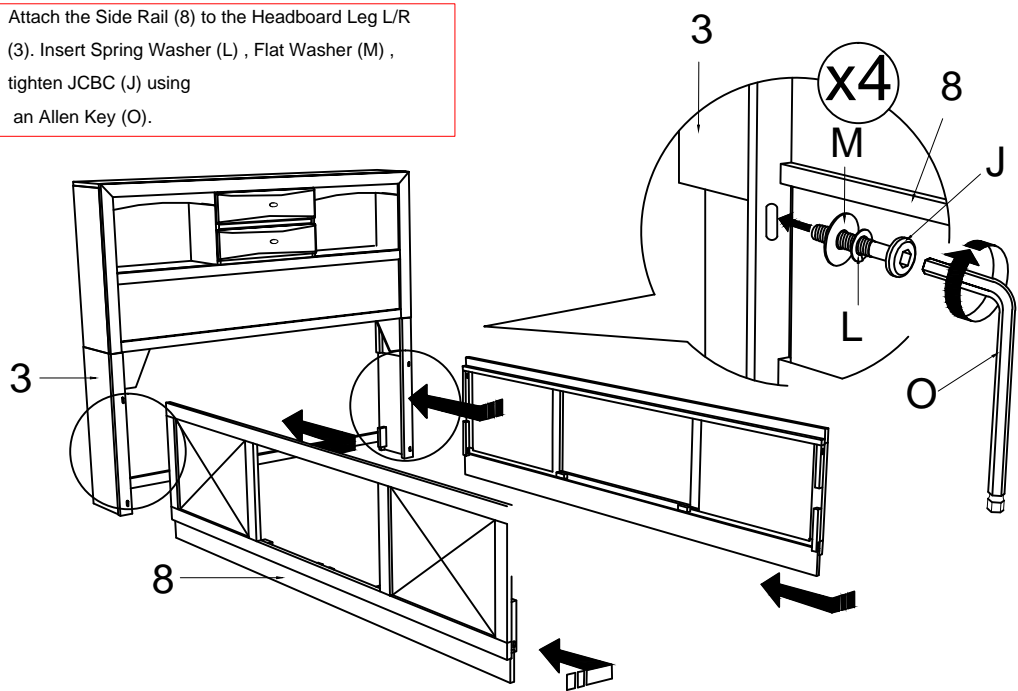
- Part 12 x1pc
- Part 15 x1pc
- Hardware A x9pcs



Attach the Side Rail (8) to the Headboard Leg L/R (3). Insert Spring Washer (L), Flat Washer (M), tighten JCBC (J) using an Allen Key (O).

4

- Part 8 x4pcs
- Hardware J x4pcs
- Hardware L x4pcs
- Hardware M x4pcs

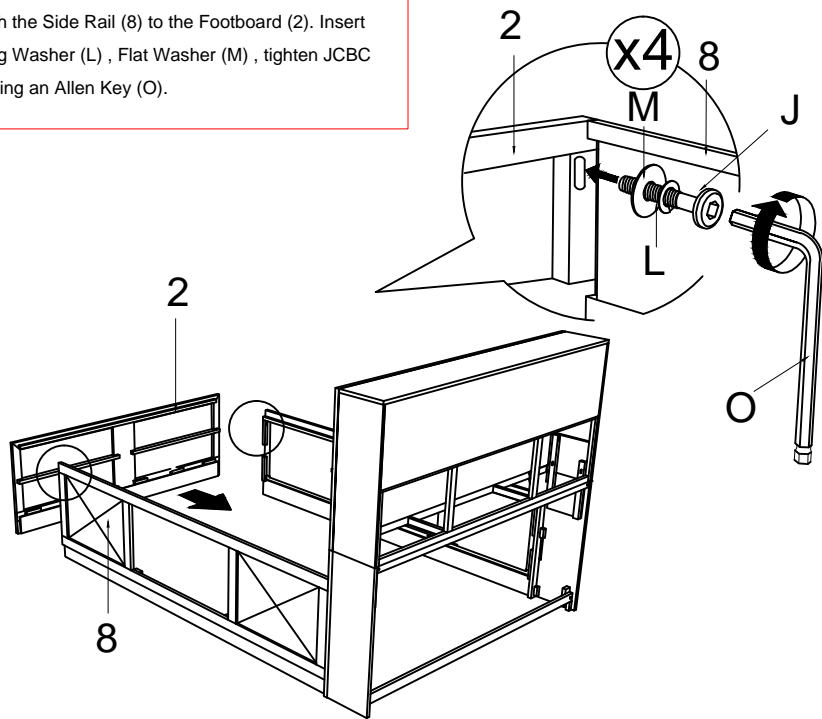


ASSEMBLY INSTRUCTIONS

5

- Part ② x1pc
- Hardware ① x4pcs
- Hardware ② x4pcs
- Hardware ③ x4pcs

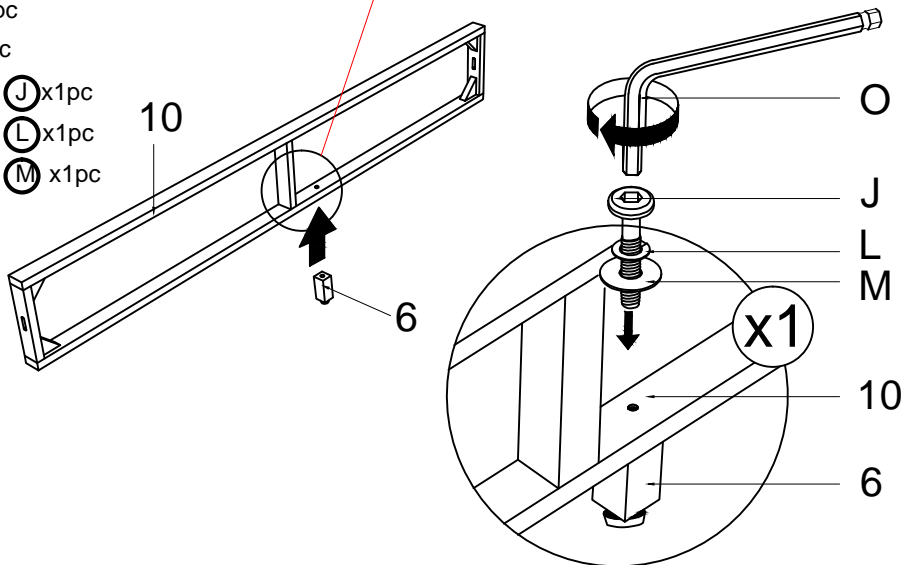
Attach the Side Rail (8) to the Footboard (2). Insert Spring Washer (L), Flat Washer (M), tighten JCBC (J) using an Allen Key (O).



6

- Part ⑩ x1pc
- Part ⑥ x1pc
- Hardware ④ x1pc
- Hardware ② x1pc
- Hardware ③ x1pc

Attach Support Leg (6) to the Footboard Drawer Frame (10). Insert Spring Washer (L), Flat Washer (M), & tighten JCBC (J) using an Allen Key (15).

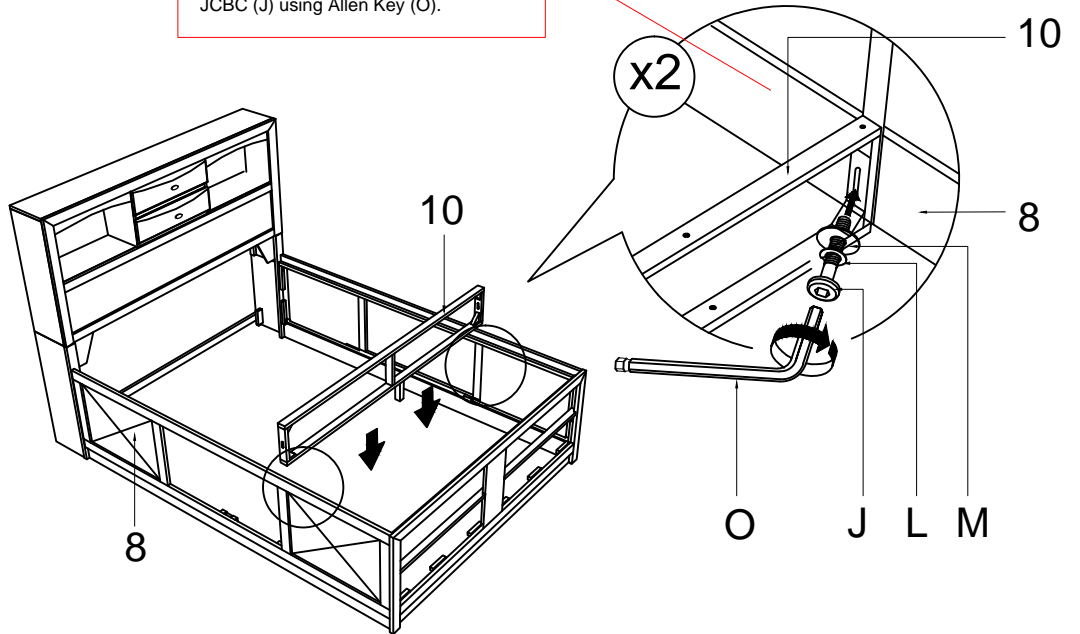


ASSEMBLY INSTRUCTIONS

7

- Part ⑩ x1pc
- Hardware ① x4pcs
- Hardware ② x4pcs
- Hardware ③ x4pcs

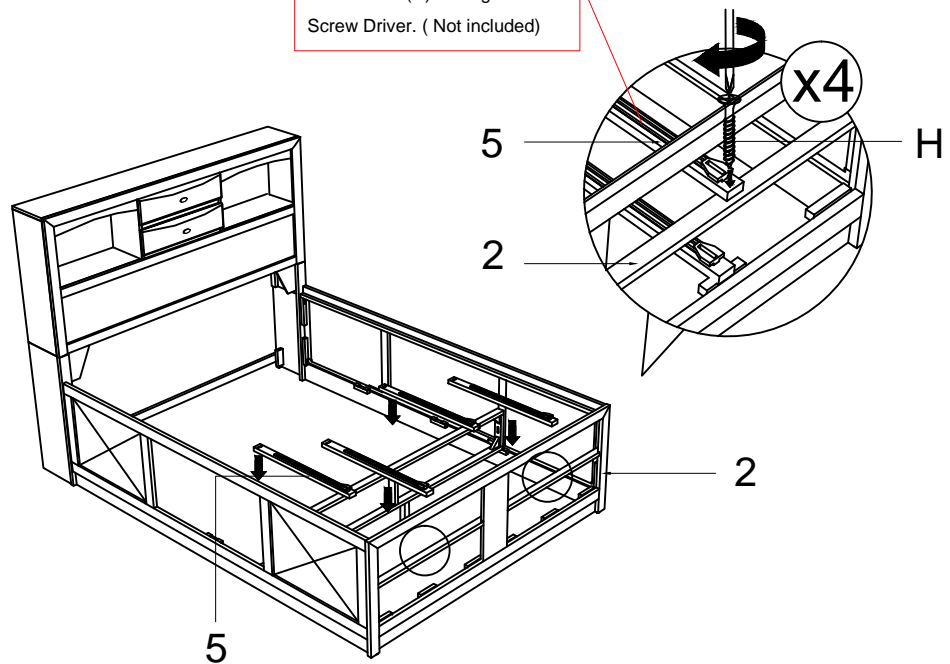
Attach the Footboard Drawer Frame (10) to the Side Rail (8). Insert Spring Washer (L), Flat Washer (M), tighten JCBC (J) using Allen Key (O).



8

- Part ⑤ x4pcs
- Hardware ④ x4pcs

Attach the Drawer Support Rail (5) to the Footboard (2) using CSK Screw (H) and tighten with Screw Driver. (Not included)



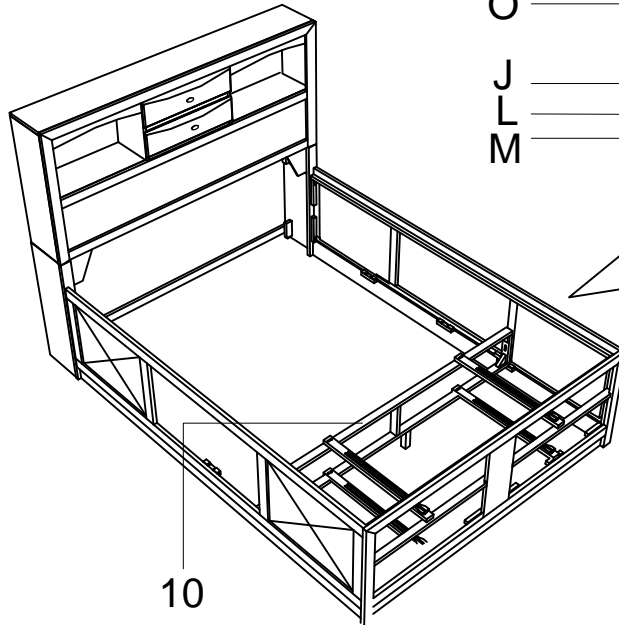
ASSEMBLY INSTRUCTIONS

9

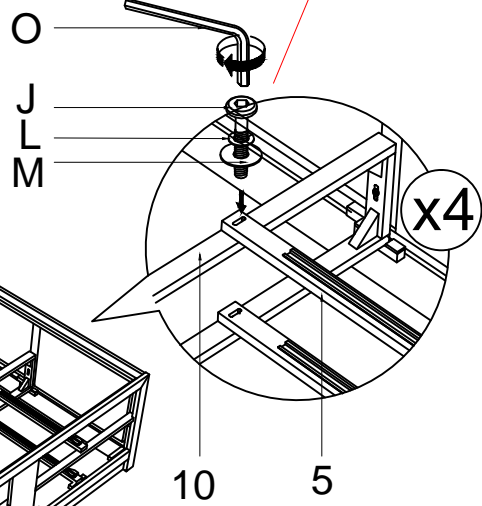
Hardware (J) x4pcs

Hardware (L) x4pcs

Hardware (M) x4pcs



Attach the Drawer Support Rail (5) to the Footboard Drawer Frame (10). Insert Spring Washer (L), Flat Washer (M) & tighten JCBC Bolt (J) using an Allen Key (O).

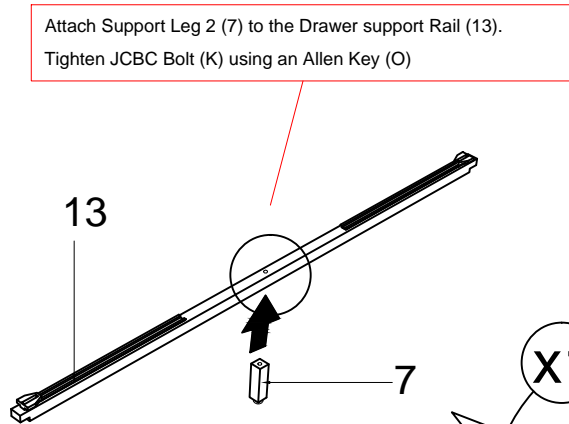


10

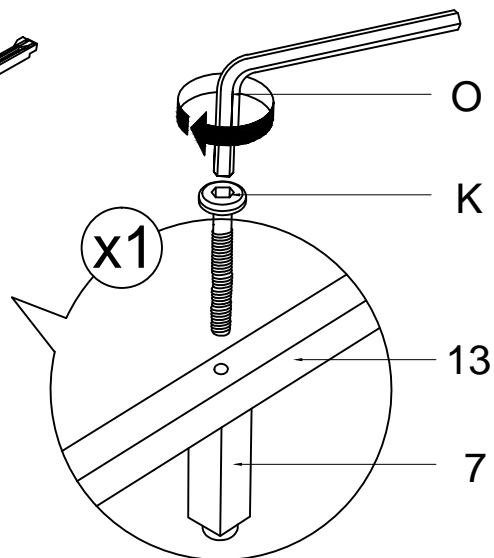
Part (7) x1pc

Part (13) x1pc

Hardware (K) x1pc



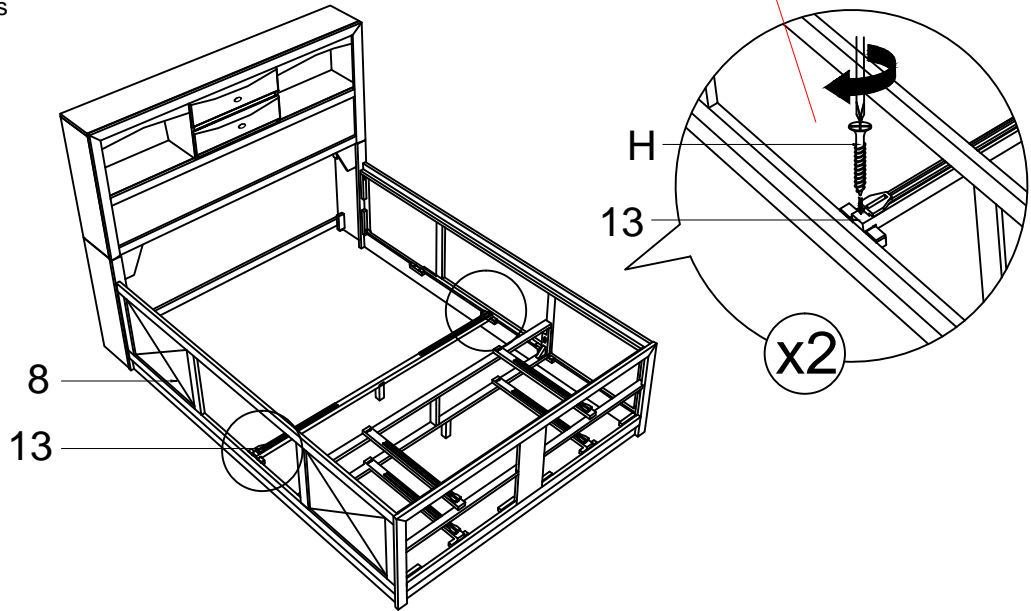
Attach Support Leg 2 (7) to the Drawer support Rail (13). Tighten JCBC Bolt (K) using an Allen Key (O)



ASSEMBLY INSTRUCTIONS

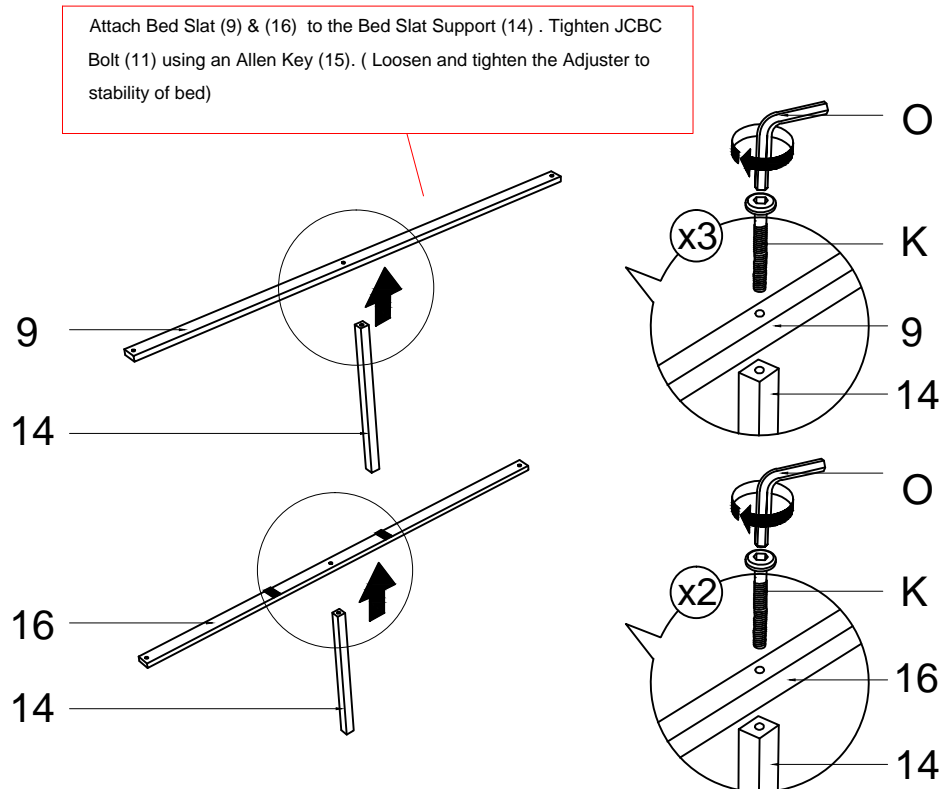
11

Part ⑬ x1pc
Hardware ④ x2pcs



12

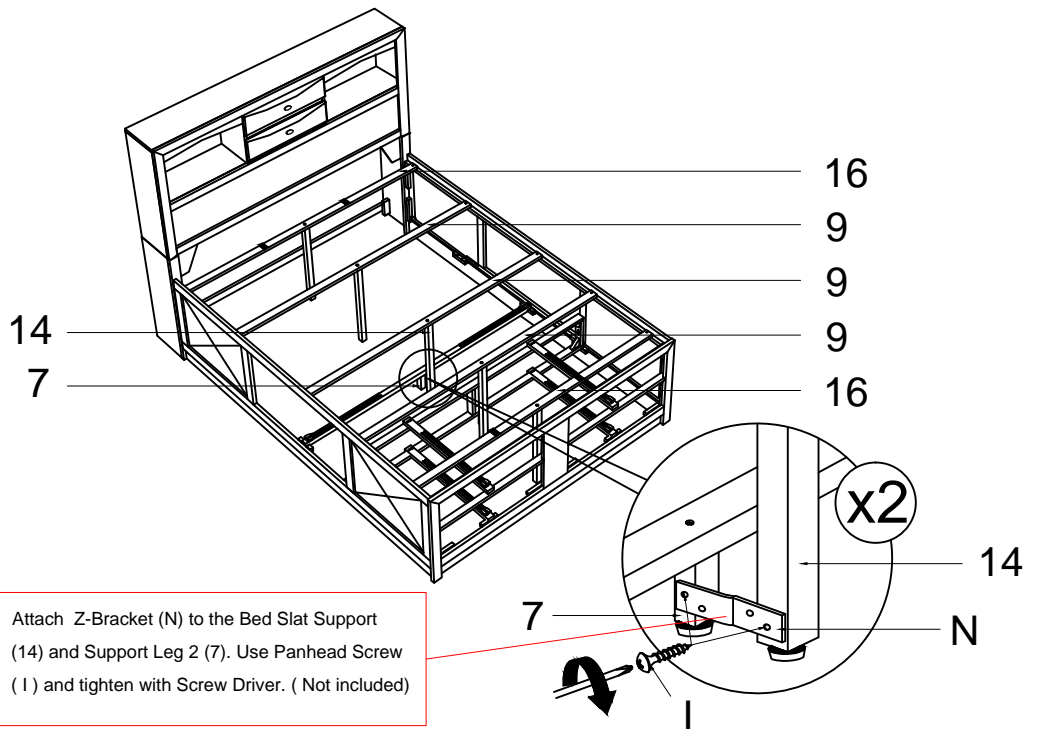
Part ⑨ x3pcs
Part ⑭ x5pcs
Part ⑰ x2pcs
Hardware ⑫ x5pcs



ASSEMBLY INSTRUCTIONS

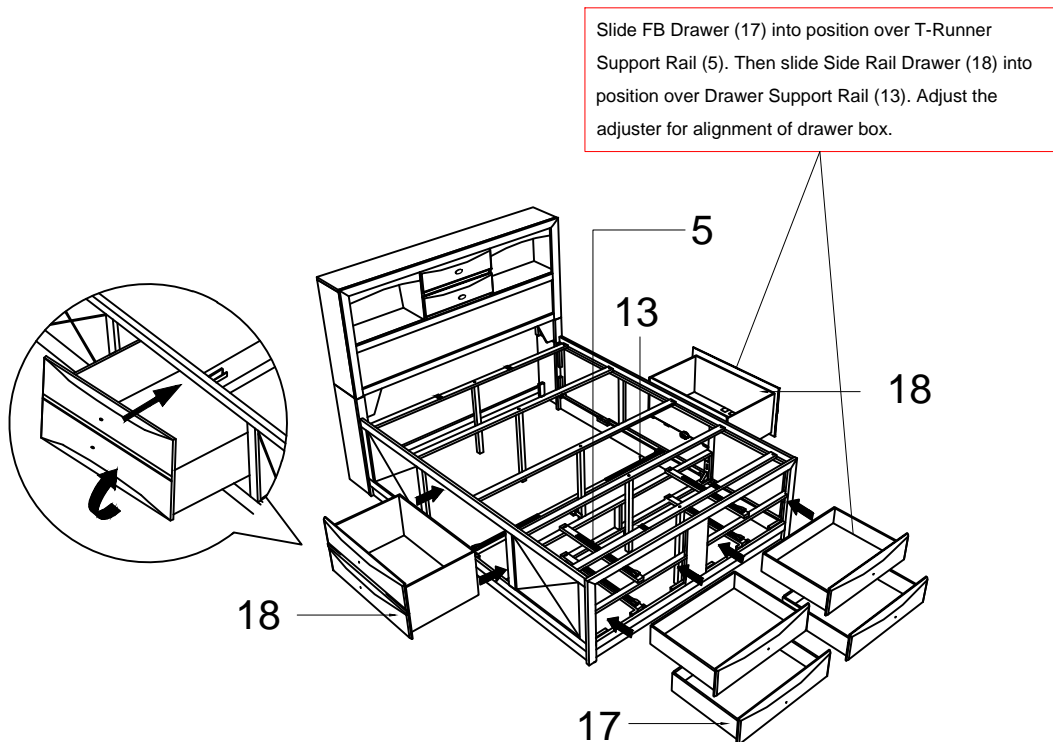
13

- Part 9 x3pcs
- Part 14 x5pcs
- Part 16 x2pcs
- Hardware K x5pcs



14

- Part 17 x3pcs
- Part 18 x5pcs



ASSEMBLY INSTRUCTIONS

15

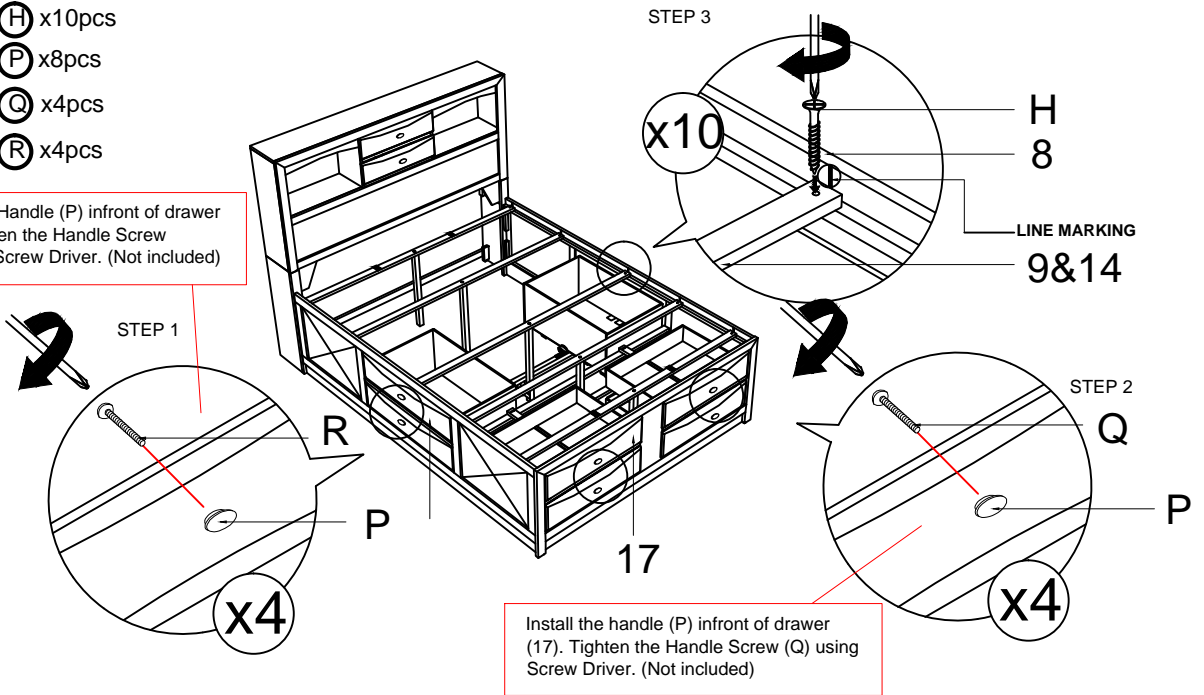
Hardware (H) x10pcs

Hardware (P) x8pcs

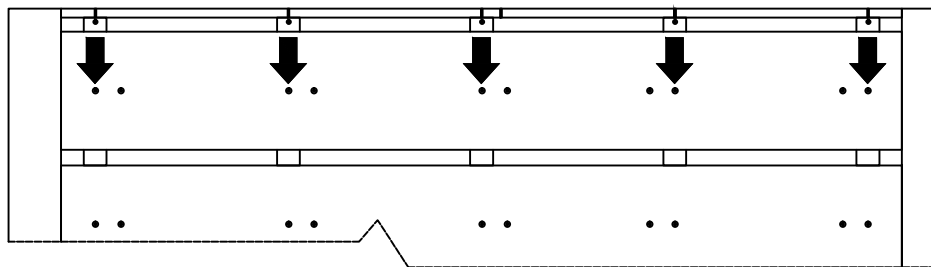
Hardware (Q) x4pcs

Hardware (R) x4pcs

Install the Handle (P) in front of drawer (18). Tighten the Handle Screw (R) using Screw Driver. (Not included)



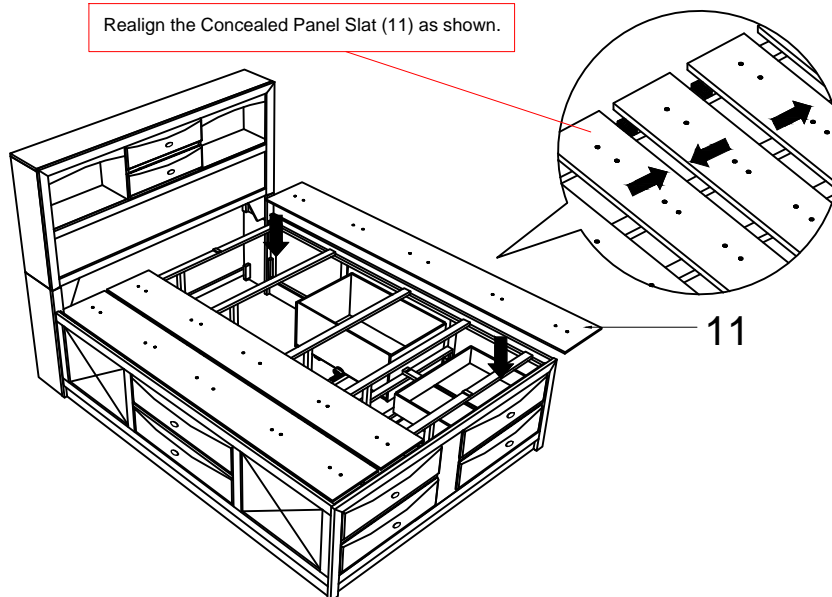
Attention! Screw on this markings on concealed panel slat (11).



16

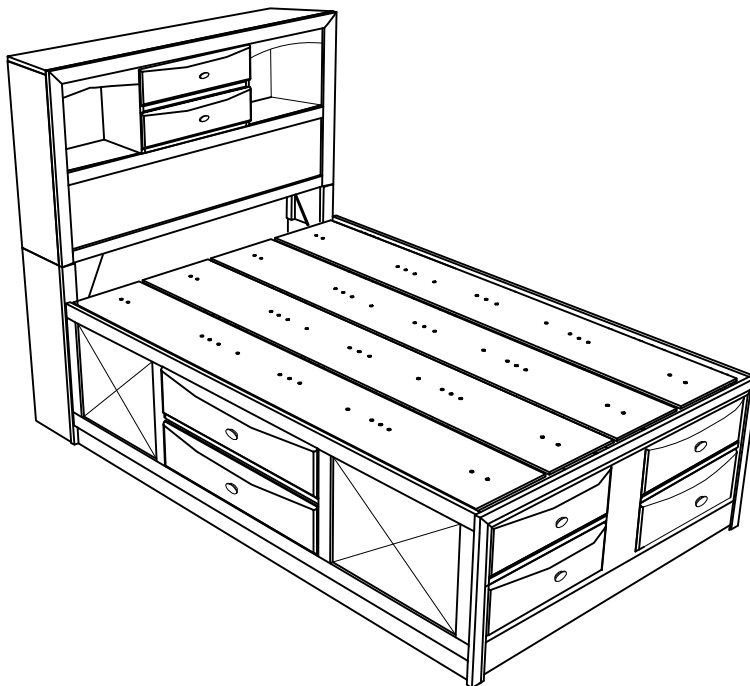
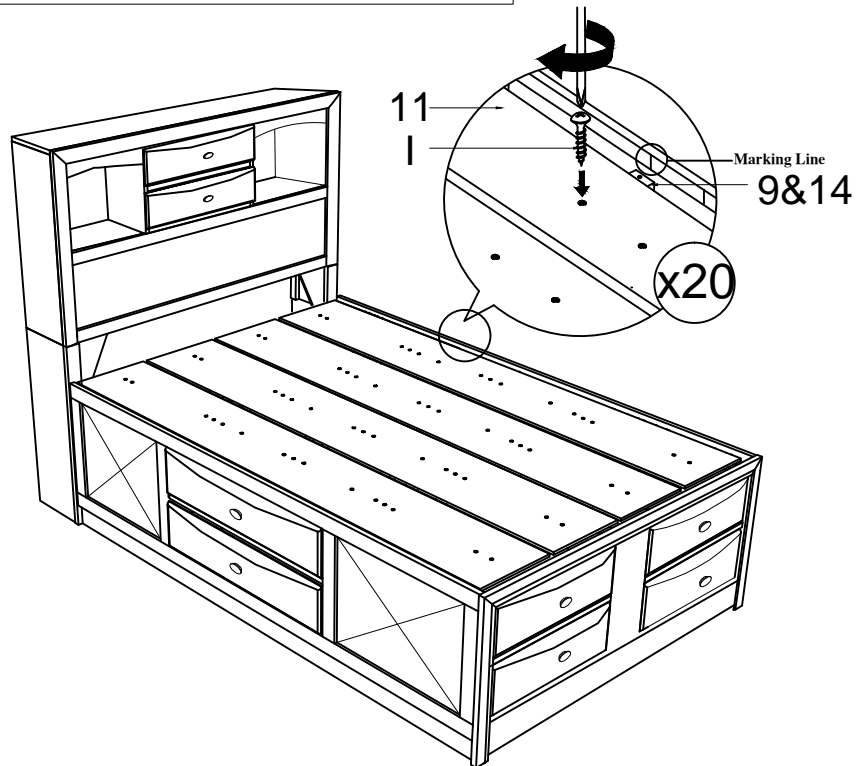
Part (11) x5pcs

Realign the Concealed Panel Slat (11) as shown.



ASSEMBLY INSTRUCTIONS

Attach Concealed Panel (11) over the Bed Slat (9 & 14) using Panhead Screw (I) and tighten with Screw Driver. (Not included)



ASSEMBLY COMPLETED



Please ensure the furniture rests on an even and flat surface. If the product wobbles or feels loose, double-check all bolts and/or screws are properly tightened and secured.

✓ Keep this handy!

Please retain this instruction manual and any order-related information for future reference.

✓ Lift, don't drag!

To avoid damage to product please always LIFT the product when transporting or adjusting the placement.