

# ASSEMBLY INSTRUCTIONS

---



## TOOLS REQUIRED



Allen Wrench

(Included)



Phillips Screwdriver

(Not Included)



2 - Persons  
Recommended

## ASSEMBLY RATING



EASY ————— DIFFICULT

The Assembly Rating is a 5-point system showing the level of effort needed to assemble a specific product.



## CHECK BEFORE STARTING



### Are you missing anything?

Double-check all parts, hardware and accessories listed on Page 6 are accounted for.



### Check out our Quick Tips!

We recommend reviewing the pre-assembly handouts. Even experts need a refresher now and then!



### Should we send any replacements?

Are there any irregularities or flaws in the parts? We can send replacements!



### Prep Time!

Please review the assembly instructions and all diagrams prior to assembling. Set up your workspace by laying the parts and hardware out separately, then begin!

# PRE ASSEMBLY INTRODUCTION

We understand building ready-to-assemble furniture can be a challenging experience for some. To help avoid confusion, we have provided some helpful tips that may speed up the process.



## Teamwork

ALWAYS have at least two people to help with transporting and assembling the product to avoid potential injury and/or damage.



## Suitable Location

Assembling near the area of the intended location is highly recommended.



## Sufficient Space

Make sure you have enough space to move around during the assembly.



## Avoid Scratches

Use cardboard, blankets or a carpeted area while assembling furniture to prevent scratches.



## Flat Surface

Make sure the furniture rests on a flat and level surface with each leg evenly touching the floor.

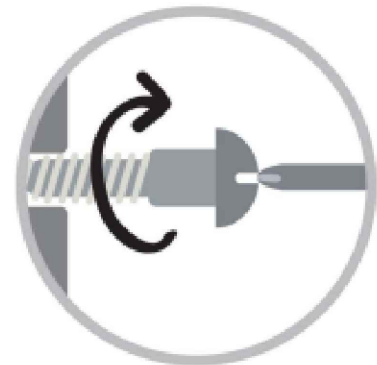
# ASSEMBLY AND CARE ADVICE



**FAILURE TO FOLLOW THE GUIDELINES BELOW MAY RESULT IN INJURY AND/OR PROPERTY DAMAGE.**



Position each part correctly and insert screws or bolts into their respective holes.



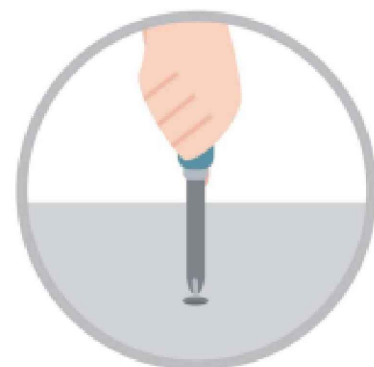
Turn clockwise to tighten and only tighten when step is completed or when instructed to do so.



Use the appropriate hand tools or power tools for assembly. Select steps, such as tightening screws and/or bolts, may require hand tools to avoid causing damage during assembly.



Save the instructions and store any supplied tools for later maintenance.

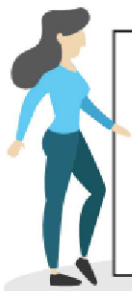


After two weeks, check and tighten any loose hardware and repeat again every six months thereafter.

**IT IS THE USER'S RESPONSIBILITY TO MAINTAIN THE FURNITURE. THE HARDWARE MAY LOOSEN OVER TIME AND MAY CAUSE THE FURNITURE TO BE WOBBLY AND UNABLE TO SUPPORT ITS INTENDED WEIGHT CAPACITY. THIS MAY LEAD TO COLLAPSE AND MAY CAUSE SERIOUS INJURY.**

# DRESSER

FM7212-D



- Please keep instructions for future reference.
- Check the quantity and irregularity of parts and hardware before you start.



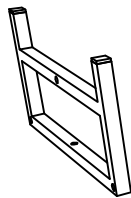
## PARTS

① 1pc



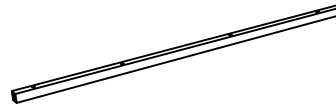
Dresser

② 2pcs



Leg Frame

③ 2pcs



Upper Crossbar

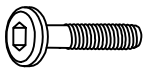
④ 1pc



Lower Crossbar

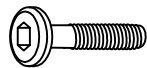
## HARDWARE

Ⓐ 2pcs



Bolt 1/4" x 1-3/16"

Ⓑ 6pcs



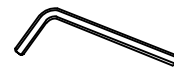
Bolt 1/4" x 1-9/16"

Ⓒ 8pcs



P.H Screw  
m4x32mm

Ⓓ 1pc



Allen Key M4

Ⓔ 2pcs



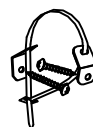
Handle

Ⓕ 2pcs



T.H Screw M4  
x 25mm

Ⓖ 1 set



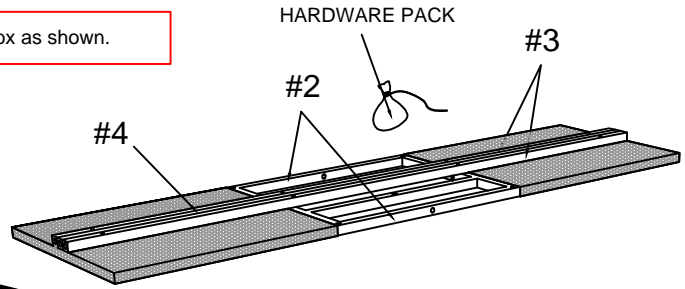
Anti-Tip Kit

# ASSEMBLY INSTRUCTIONS

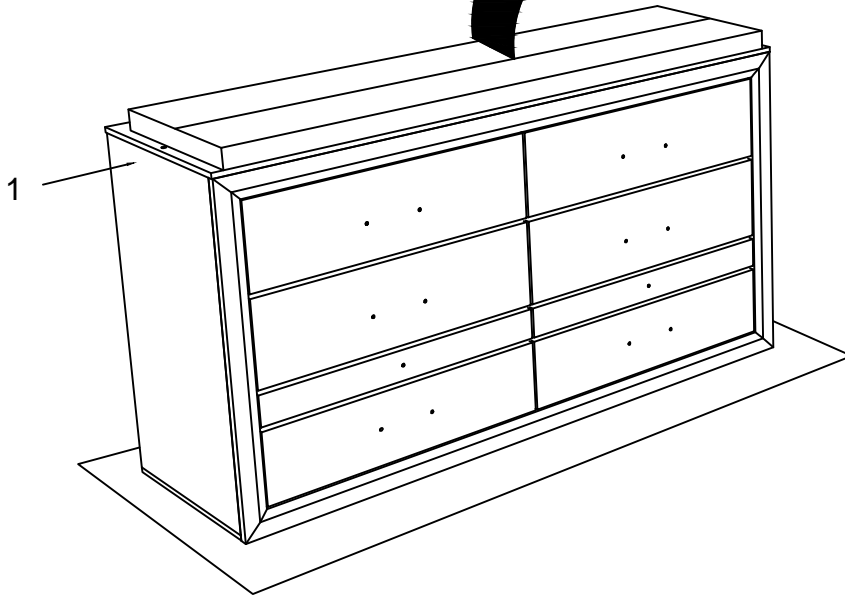
Remove Dresser Metal Leg from Inner box as shown.

## 1

- Part ① x1pc
- Part ② x2pcs
- Part ③ x2pcs
- Part ④ x1pc

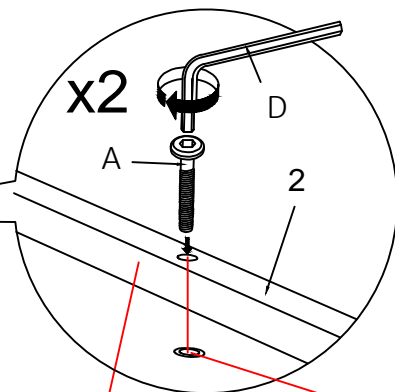
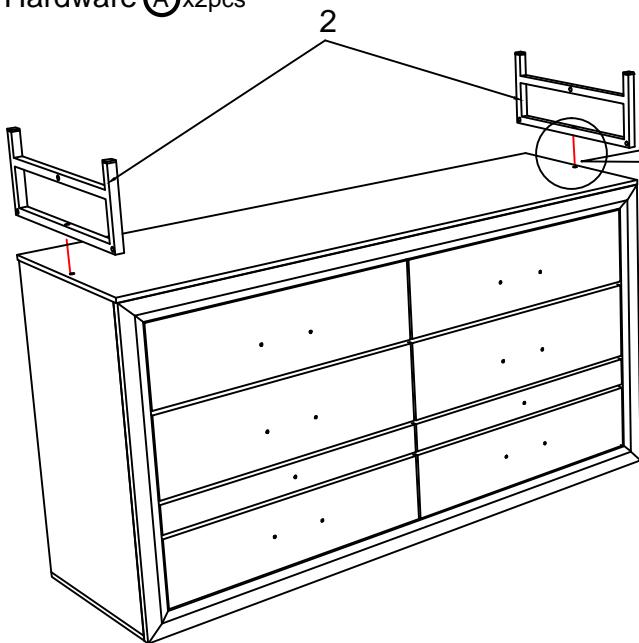


BOTTOM



## 2

Hardware ① x2pcs



D-NUT HOLE

Align side leg frame ( 2 ) to the D-nut hole, secure with JCBC ( A ) tighten with Allen Key ( D ), DO NOT FULLY TIGHTEN WITHIN THIS STEP.

# ASSEMBLY INSTRUCTIONS

## 3

Hardware **(B)** x6pcs

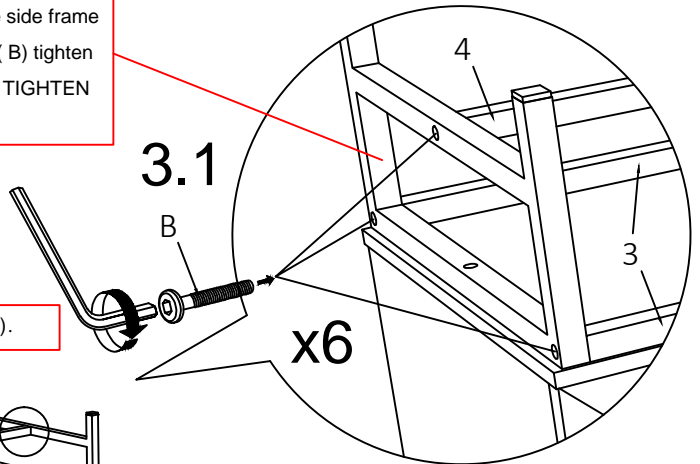
Hardware **(C)** x8pcs

Hardware **(E)** x2pcs

Hardware **(F)** x2pcs

Align side leg front & back frame ( 3 ) and center frame ( 4 ) to the side frame leg ( 2 ), secure with JCBC ( B ) tighten with Allen Key ( D ), FULLY TIGHTEN WITHIN THIS STEP.

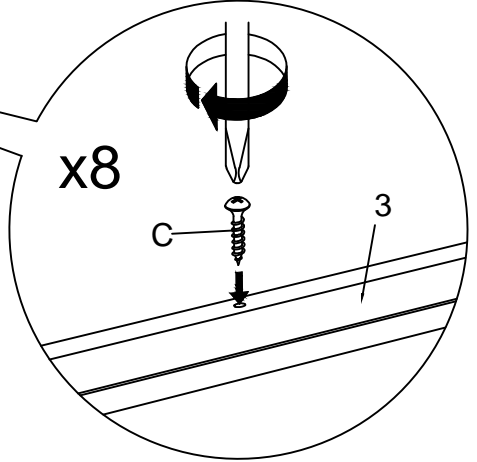
Secure frame leg ( 3 ) by using screws ( C ).



3.1

B

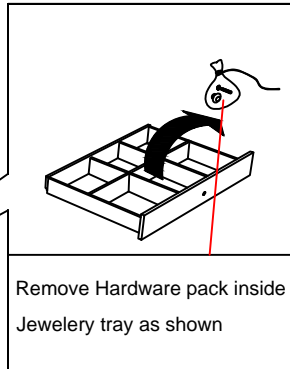
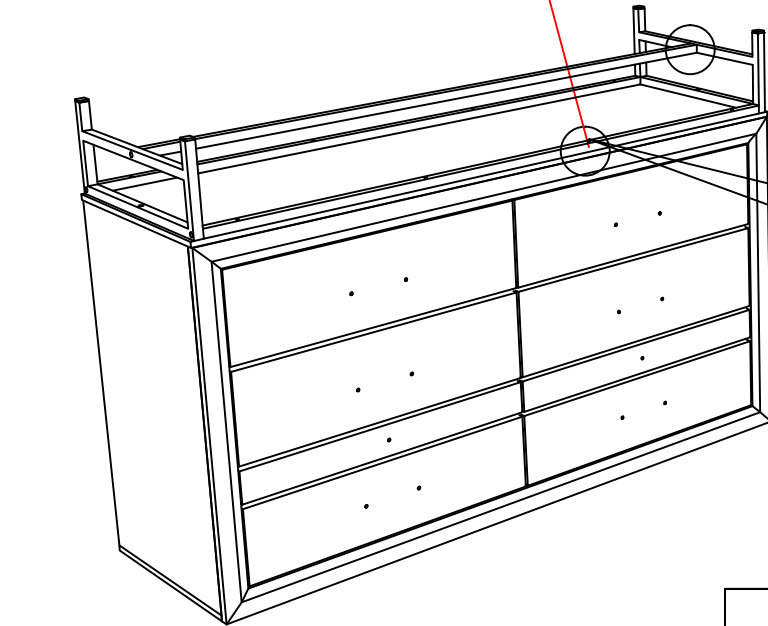
x6



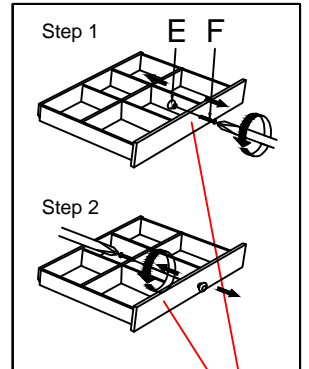
3.2

x8

C



Remove Hardware pack inside Jewellery tray as shown

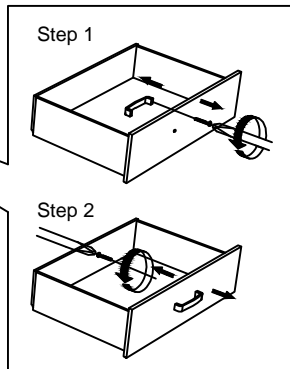


Step 1

E F

Step 2

Unscrew knobs to the inside, then secure knobs to the outside of the drawers.

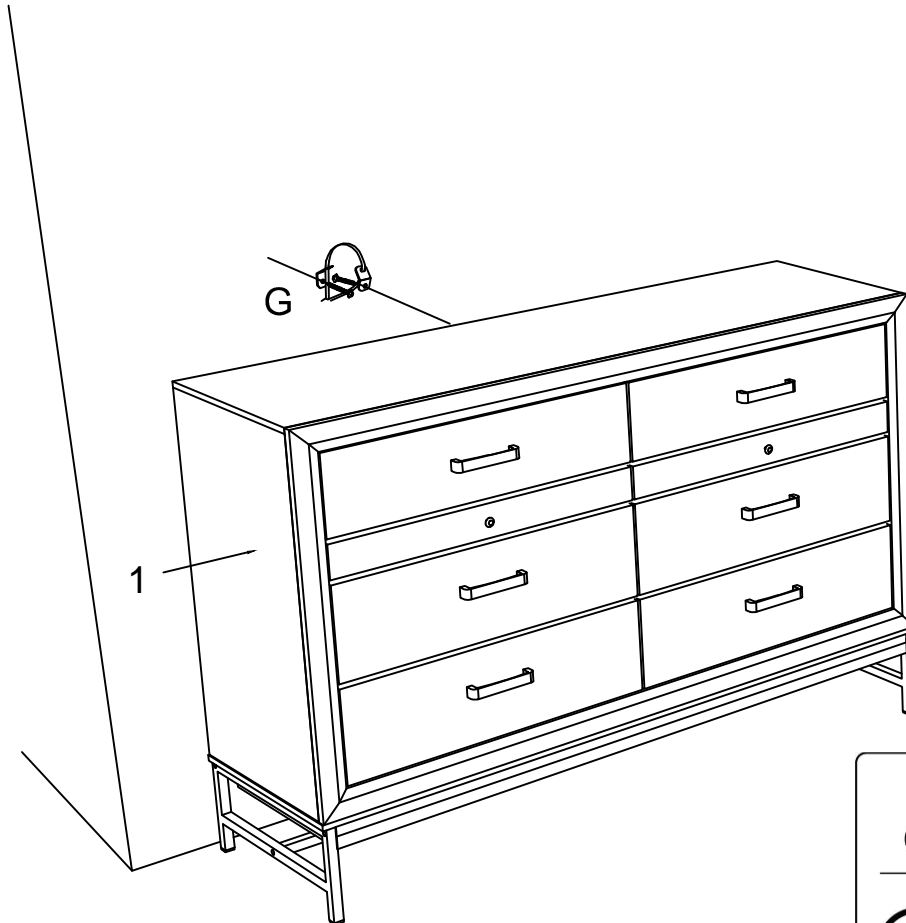


Step 1

Step 2

# ASSEMBLY INSTRUCTIONS

Part ① x1pc  
Hardware ⑥ x1set



## ASSEMBLY COMPLETED



Please ensure the furniture rests on an even and flat surface. If the product wobbles or feels loose, double-check all bolts and/or screws are properly tightened and secured.

### ✓ Keep this handy!

Please retain this instruction manual and any order-related information for future reference.

### ✓ Lift, don't drag!

To avoid damage to product please always LIFT the product when transporting or adjusting the placement.

This product is intended for RESIDENTIAL USE ONLY and not for commercial use.